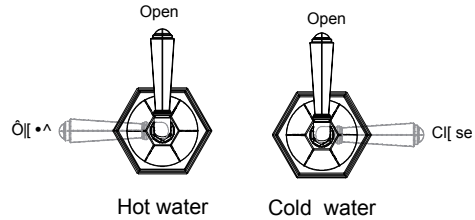


How to use

1. Separate Hot (left) and Cold (right) handles to control temperature and water flow.
2. Handles can be rotated 0-90°.
3. Achieve the desired temperature by adjusting the handles.



Maintenance & Care

To avoid damage it is necessary to consider the below guidelines.

1. To clean the mixers surface use clean hot soapy water. ONLY use soft fabric cloths.
2. DO NOT use cleaning solutions that contain hydrochloric acid, formic acid, concentrated caustic soda, chlorine or acetic acid as they can cause considerable damage.
3. DO NOT use any coarse cleaning powders or brushes to clean the mixer.
4. If there is irregular water pressure & water flow is reduced, please check if the spout is clean, if not brush the spout after vinegar soaking.

Warranty Requirements

For full warranty terms and conditions please visit the warranty section of our website. Please pay attention to the below. Failure to do so will void your warranty:

1. Do not use acid cleansers
2. Do not use abrasive cleansers
3. Do not use abrasive cloths

Troubleshooting

Fault: Hot is coming out when I select cold or vise versa:
Cause: Hot and cold pipes are connected the wrong way round.

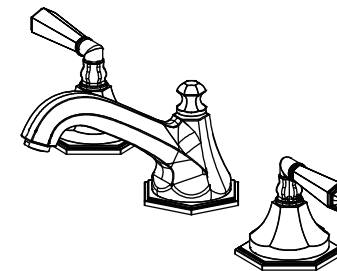
Fault: Fluctuating flow rate:
Cause: Possible blockage in the system or operating conditions are incorrect.

Fault: Low or no flow from the valve:
Cause: Possible blockage in the system, operating conditions are incorrect or there is a blockage in the system.

Fault: Leak from the valve:
Cause: The holder isn't inserted to the bottom.



Installation Guide Darcey Deck Mounted Basin Mixer DAR-312



Important Information

It is recommended that this product is installed by a qualified professional.

Please remove all packaging and check this product to ensure it has not been damaged or any parts are missing.

Before installing please make sure this is the correct model and you have all the parts required for installation and usage.

The printed picture is for reference only, this product is according to the actual goods.

Please check all the accessories are present.

Always read these instructions carefully and keep for future reference.

Operating Information

Operating Pressure

Minimum operating pressure 0.5 bar

Maximum operating pressure 8 bar

Pre-Installation

1. Before installing the mixer, flush through the pipe work to remove any debris & other impurities that can enter the tap.
2. Turn off water supply at the isolation valves before commencing with work.
3. To avoid damage, please make sure the water inlet flexible pipes are not twisted when in use.

Installation

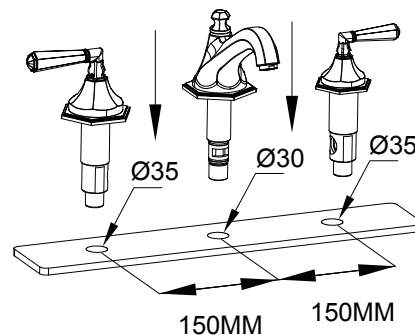
Get all accessories ready according to picture (1) the left inlet is for hot water inlet, and the right inlet is for cold water inlet (4). (Please note LH & RH side is when viewing the product from the front).

Ensure you have all the relevant tools before commencing the installation and take note of any specific markings on the product to make sure they are installed correctly.

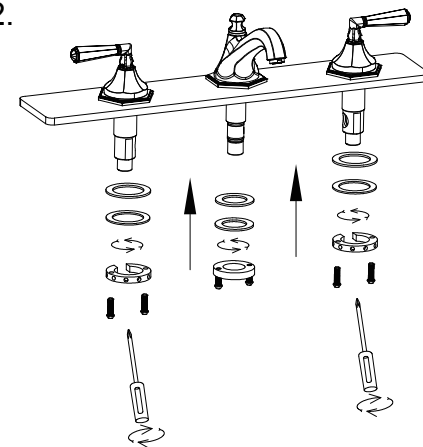
1. Please ensure all holes are drilled to the correct size in diagram 1.
2. Carefully assemble the product on to the counter top. DO NOT over tighten as this could cause damage to the counter top and/or product. Please remember to install the 'o' ring washers between the product & counter top. Tighten the control valves into place.
3. Screw the connectors into the the control valves.
4. Connect the hot and cold feeds into the connectors on the control valves & main body of the mixer.
5. Test and check for any leakage.

PLEASE MAKE SURE YOU FULLY TEST YOUR PRODUCT BEFORE TILING
ETC. WE WILL NOT BE RESPONSIBLE FOR ANY COSTS INVOLVED IN
REMOVAL OF THE TAP IF YOU FIND THERE IS A FAULT.

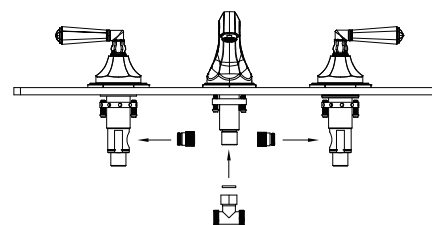
1.



2.



3.



4.

