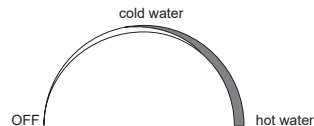


How to use

1. Turn on the tap clockwise, 0-90 ° is the outlet of cold water, and 90-200 ° is the outlet of mixed water and hot water.

2. Turn it counter clockwise to turn off the water flow.

3. The flow rate of water is affected by the Aerator and water pressure.



Maintenance & Care

To avoid damage it is necessary to consider the below guidelines.

1. To clean the mixers surface use clean hot soapy water. ONLY use soft fabric cloths.
2. DO NOT use cleaning solutions that contain hydrochloric acid, formic acid, concentrated caustic soda, chlorine or acetic acid as they can cause considerable damage.
3. DO NOT use any coarse cleaning powders or brushed to clean the mixer.
4. If there is irregular water pressure & water flow is reduced, please check if the spout is clean, if not brush the spout after vinegar soaking.

Preparation & bylaw requirements

IMPORTANT NOTICE

All products must comply with regulations of Local Water Authority as contained in their by-laws.

If the product is not supplied with balanced pressure, the mixer will not function properly. Non-return valves should be fitted on both the hot and cold feeds as close to the tap as possible (non-return valves not provided).

Warranty Requirements

For full warranty terms and conditions please visit the warranty section of our website. Please pay attention to the below. Failure to do so will void your warranty:

1. Do not use acid cleansers
2. Do not use abrasive cleansers
3. Do not use abrasive cloths

Troubleshooting

Fault: Hot is coming out when I select cold or vice versa:

Cause: Hot and cold pipes are connected the wrong way round.

Fault: Fluctuating flow rate:

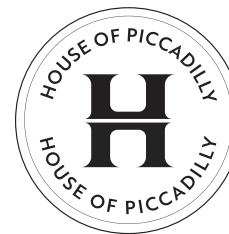
Cause: Possible blockage in the system or operating conditions is incorrect.

Fault: Low or no flow from the valve:

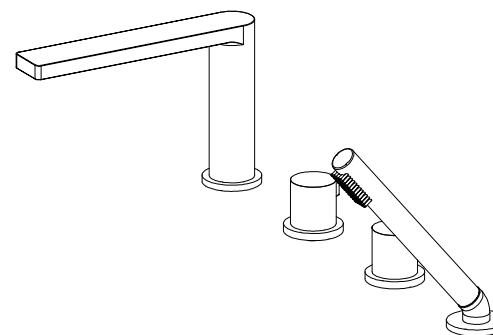
Cause: Possible blockage in the system, operating conditions is incorrect or there is a blockage in the system.

Fault: Leak from the valve:

Cause: The holder isn't inserted to the bottom.



Installation Guide Penelope Deck Mounted Bath Set PEN-411



Important Information

It is recommended that this product is installed by a qualified professional.

Please remove all packaging and check this product to ensure it has not been damaged or any parts are missing.

Before installing please make sure this is the correct model and you have all the parts required for installation and usage.

The printed picture is for reference only, this product is according to the actual goods.

Please check all the accessories are present.

Always read these instructions carefully and keep for future reference.

Operating Information

Operating Pressure

Minimum operating pressure 0.5 bar

Maximum operating pressure 8 bar

Pre-Installation

1. Before installing the mixer, flush through the pipe work to remove any debris & other impurities that can enter the tap.
2. Turn off water supply at the isolation valves before commencing with work.
3. To avoid damage, please make sure the water inlet flexible pipes are not twisted when in use.

Installation

Get all accessories ready according to picture (1) the left inlet is for hot water inlet, and the right inlet is for cold water inlet (4). (Please note LH & RH side is when viewing the product from the front).

Ensure you have all the relevant tools before commencing the installation and take note of any specific markings on the product to make sure they are installed correctly.

1. Please ensure all holes are drilled to the correct size in diagram 1. Carefully assemble the product on to the bath. DO NOT over tighten as this could cause damage to the bath and/or product. Please remember to install the 'o' ring washers between the product & bath.
2. Screw the connectors into the into the control valves.
3. Using the Allen key provided tighten the connector heads on to the control valves.
4. Connect the hand shower then tighten all pipework.
5. Test and check for any leakage.

PLEASE MAKE SURE YOU FULLY TEST YOUR PRODUCT BEFORE TILING ETC.
WE WILL NOT BE RESPONSIBLE FOR ANY COSTS INVOLVED IN REMOVAL OF
THE TAP IF YOU FIND THERE IS A FAULT.

