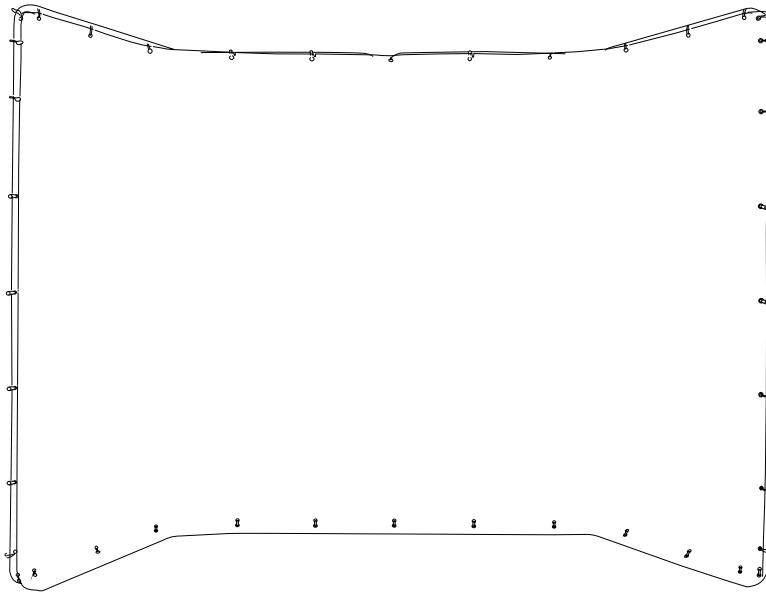
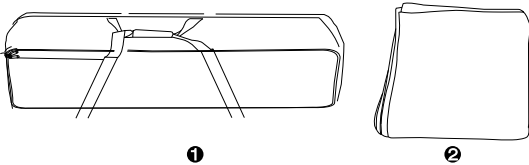


Collapsible Panoramic Background Instructions



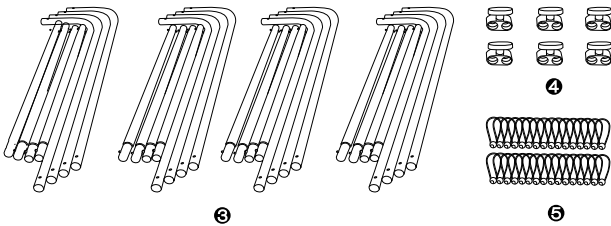
In The Box



❶

❷

- ❶ 1x Soft carrying bag
- ❷ 1x Background Fabric (Background and Frame Kits Only)
- ❸ 4 sets of Aluminium Frame Components
- ❹ 6x Frames Hinge clips
- ❺ 40x Elastic cords (Background and Frame Kits Only)



❸

❹

❺

Specification

Weight: 8.55kg / 18.8lbs (Including bag)

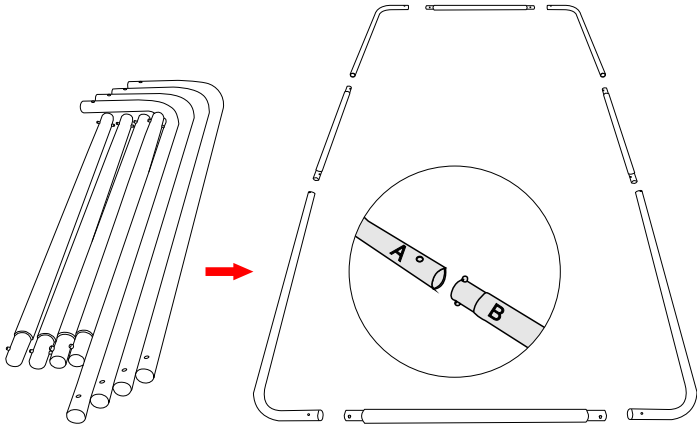
Height: 2.4m / 94.5in

Width: 4m / 157.5in

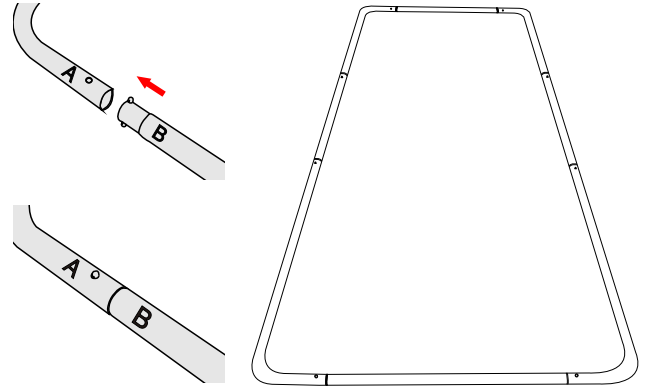
Color: Green, Black, Blue, White

Packing size: 98x26x20cm / 38.6x10.2x7.9in

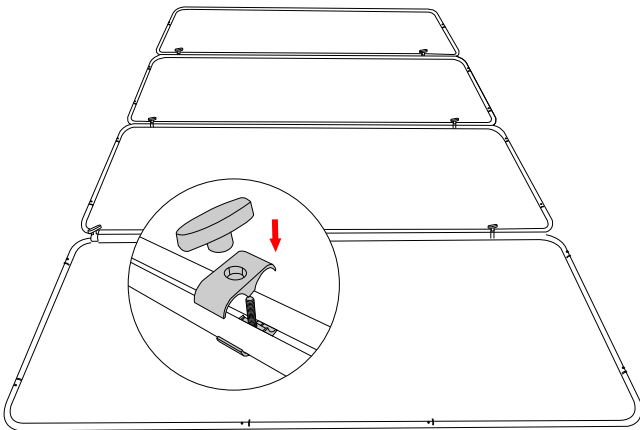
Instructions



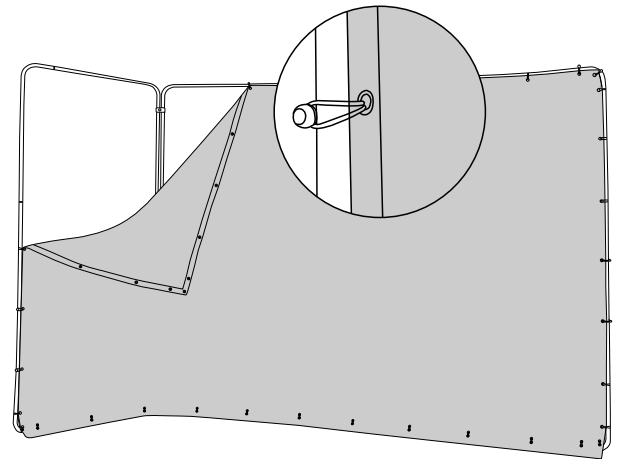
- ❶ Each frame is combined by 4pcs straight tubes-A and 4pcs curved stubes-B. (As picture).



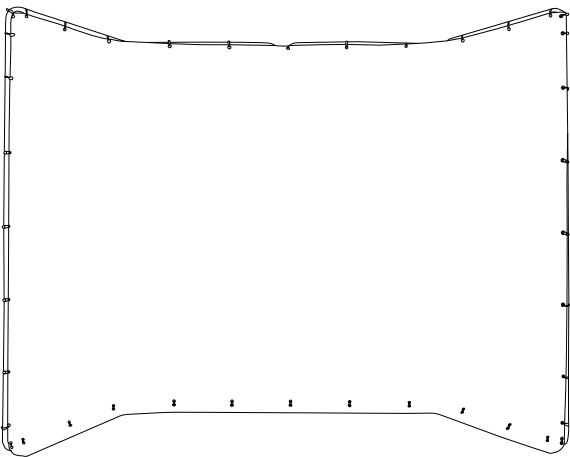
- ❷ Please connect tube A with tube B by pressing down the spring pin,until it is bounced back.



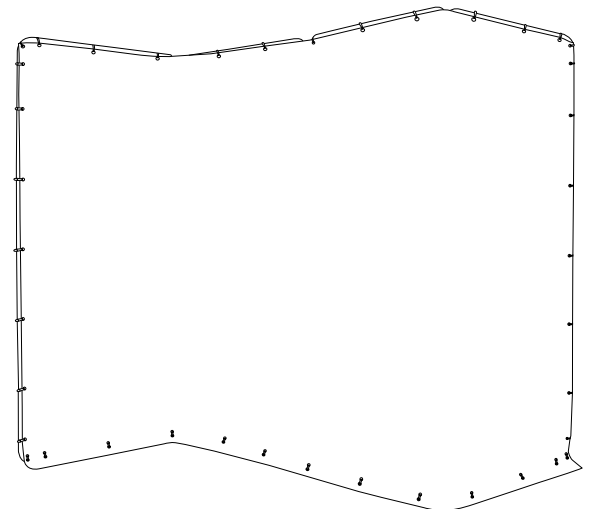
- ❸ Use hinge clips to connect two frames.



- ❹ Use elastic cords to mounted background on frames.



- ❺ Complete the installation.



- ❻ Change different shapes according to demand.