



LYNX SPECIALTY COOKING

KAMADO GRILL

CERAMIC CHARCOAL GRILL WITH ROTISSERIE (LCGR)



LCGR PRODUCT OVERVIEW

- 18" Ceramic Grill features 1.5" of premium grade, insulating ceramic construction allowing maximum heat retention and efficiency
- Fire-glazed designer-inspired outer shell in a choice of sleek Gloss Black or sophisticated Matte Gray.
- 250 square inches of maximum cooking surface offers precision temperature control from 225-750 degrees F and enables multizone and offset cooking for brawny meats, delicate seafood, or a whole meal.
- 3-Tier Stainless Steel Racks in a flexible half-moon design and enhances culinary versatility from intense searing to roasting to low-and-slow smoking.
- Ceramic Deflector Plates create multiple heat zones, allowing full control of the intensity of the heat as well as the ability to cook a variety of foods at their optimal temperatures.
- Top vent in polished cast aluminum features dual adjustment and maintains consistent air flow when opening and closing grill and, when used in tandem with the bottom damper, draws smoke across food for enhanced flavor.
- Heavy-duty, spring assisted hinge with a powerful stainless-steel latch ensures effortless opening and closing of the hefty dome keeping the internal temperature consistent.
- The included stainless-steel rotisserie is not only durable and easy to clean, but when combined with the quiet 120V motor, also ensures a steady rotation of up to 50-pounds of meat for perfectly smoky, juicy, and tender results.



MATTE GRAY



GLOSS BLACK



FOR A COMPLIMENTARY CUSTOM DESIGN FOR YOUR OUTDOOR KITCHEN, VISIT [LYNXGRILLS.COM/DESIGN-CENTER](https://lynxgrills.com/design-center)

LCGR PRODUCT OVERVIEW

continued

- Stainless steel charcoal basket creates better airflow and produces cleaner burns and efficiency by filtering out ash and recycling larger pieces of charcoal for reuse. The included stainless-steel divider creates a seamless switch from indirect to direct cooking as needed.
- Double-thick gasket provides a superior air-tight seal that is crucial for maintaining temperature control and efficiency during cooking. The robust design and hardy materials ensure long-lasting performance.
- Stainless steel cooking grates heat up quickly and provide even heat distribution, which is essential for cooking a variety of foods to perfection. The high-quality 304 stainless steel construction ensures long-lasting performance and resistance to rust and corrosion.
- The built-in thermometer eliminates the need to open the grill, a key factor in maintaining a consistent temperature. This feature provides the necessary control to adjust the heat, leading to perfectly cooked food infused with a desirable smoky flavor.
- Slide-out ash drawer made of high-quality stainless steel makes clean-up quicker and easier than ever.

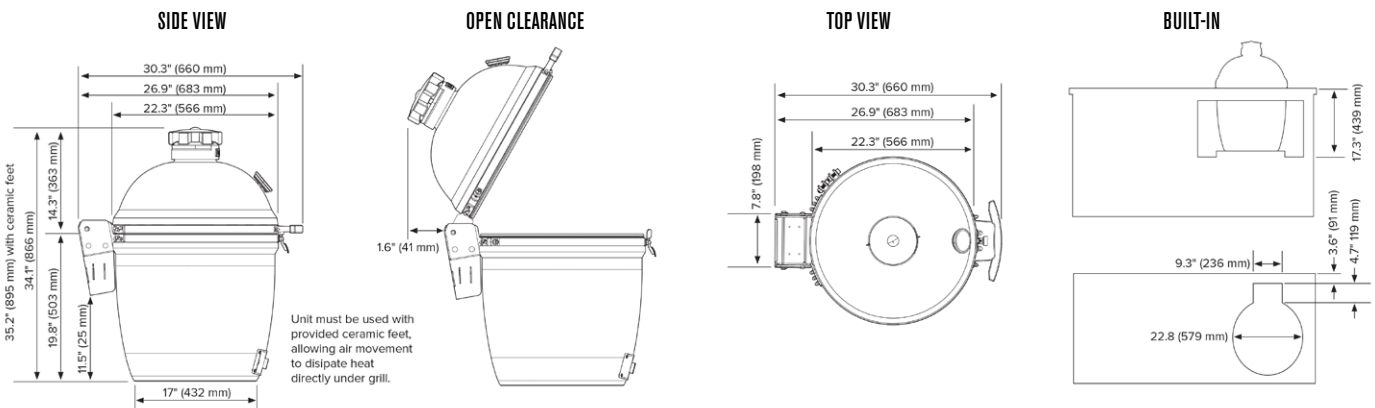
LCGR PRODUCT FEATURES



(SHOWN IN GLOSS BLACK)

FOR MORE INFORMATION ON LYNX PROFESSIONAL PRODUCT FEATURES, PLEASE VISIT LYNXGRILLS.COM

PRODUCT SPECIFICATIONS & INSTALLATION



PRODUCT DIMENSIONS: WIDTH: 22.3" / HEIGHT: 35.2" / DEPTH: 30.3"
SHIPPING WEIGHT: 300 LBS
COOKING CONFIGURATION: BUILT-IN