

FRITZ HANSEN



FRI™ SOFA
PRODUCT FACT SHEET

FRI™ SOFA

Fri™ Sofa's open design invites for shared moments in easy comfort. Designed in collaboration with Jaime Hayon, the friendly expression and artistic curves enrich spaces with an inviting and practical touch. With a choice of base and an option for a single textile or to combine two textiles, Fri Sofa has expansive flexibility for bespoke expressions.

PRODUCT TYPE

Sofa

ENVIRONMENT

Indoor

DESIGNER / YEAR OF DESIGN

Jaime Hayon, 2024

ABOUT THE DESIGNER

Spanish artist-designer Jaime Hayon was born in Madrid in 1974. As a teenager, he submerged himself in skateboard culture and graffiti art, the foundation of the detailed, bold yet whimsical imagery so imminent in his work today. After studying industrial design in Madrid and Paris he joined Fabrica in 1997, the Benetton-funded design and communication academy, working closely with the legendary image-maker and agitator Oliverio Toscani. In a short time he was promoted from student to head of their Design Department. Eight years later, Jaime broke out on his own, first with his collections of designer toys, ceramics and furniture, later followed by interior design and installations.

MODELS

JH140: 2-seater sofa w. brushed aluminium legs

JH150: 2-seater sofa w. solid oak legs

MATERIAL

Shell: The shell of the sofa is created in hard polyurethane foam. The seat cushion is made of moulded polyurethane foam to achieve the right form and comfort. The back cushion is made of two slices of soft foam with a lumbar support to increase durability and comfort.

Base: The base comes with four legs made of satin brushed aluminium or solid oak with a clear lacquer finish. Each leg has mounted nylon glides, suitable for a majority of floors.

Materials in %:

JH140

Aluminium: 11%

Steel: 28%

Foam: 61%

JH150

Solid wood: 10%

Steel: 32%

Foam: 58%

VARIANTS

The base is available in 2 variants:



BRUSHED ALUMINIUM



CLEAR LACQUERED OAK

UPHOLSTERY

Select either a single textile for the entire sofa or the option for two different textiles: one for the shell and another for the cushions.

The sofa is available in the following selection of textiles:

- Christianshavn
- Category 1: Canvas, Capture, Fame, Remix, Tonus
- Category 2: Divina, Divina MD, Dvinia Melange, Fiord, Hallingdal, Re-wool, Safire, Steelcut, Steelcut Trio, Sunniva, Vidar

MADE-TO-ORDER

Non-standard configurations (special colours, upholstery etc.) are available upon request at a minimum order quantity.

PRODUCTION PROCESS

Shell: The shell is made of hard polyurethane (PUR) foam with an embedded steel frame as well as glass fibre re-enforcement of the edges. Remnants from foam production are granulated, wherever possible, for recycling.

Cushion: The seat cushion is made of moulded PUR foam and the back cushion is cut from plates of foam. A water-soluble glue is used for bonding of textile to the foam.

Base: Legs are made from moulded aluminum with a brushed finish or solid oak with a clear lacquer finish. The legs are attached to the shell with screws. Production scrap (steel and aluminium) is collected for recycling.

CERTIFICATION

For more information about environment and manufacturing processes, please download our environmental information sheet at: fritzhanzen.com

TEST

- EN 1022 Determination of stability - Domestic furniture - Seating (JH140, JH150)
- EN 16139 Strength, durability and safety - Requirements for non-domestic seating - Level 2 (JH150)

WEIGHT

JH140: 40,6 kg/ 89.5 lb

JH150: 42,5 kg/ 93.6 lb

COUNTRY OF ORIGIN

Poland

PRE-ASSEMBLED

Yes

PACKAGING

The sofa is covered with a recycled plastic bag and shipped in a recycled cardboard box. All packaging material can be recycled.

CLEANING AND CARE

Find recommendations for cleaning and care at: fritzhansen.com/maintenance

REPAIR, DISPOSAL AND REUSE

In the case of disposal, the sofa can be disassembled into different parts (shell, loose cushions and legs) for recycling, special handling and repair. The shell requires special handling because of the embedded veneer and steel frame. The foam in the loose cushions can be granulated and re-used. The legs and all other metal parts can be recycled. Check local regulations for recycling options and whether there is potential for reuse.

WARRANTY

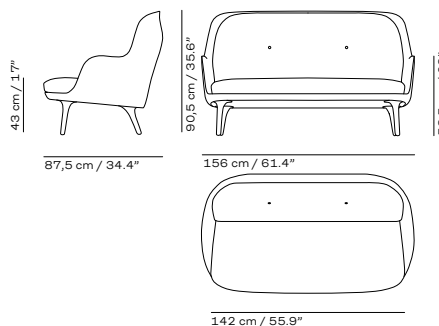
Fritz Hansen provides a five-year warranty on standard products against defects in materials and workmanship. An extended warranty of up to twenty years is provided on selected products provided they have been registered online on fritzhansen.com/my-fh.

Standard: 5 years (Textile, Cushions, Wooden base)

Extended: 10 years (Aluminium base, Shell)

On any material, textile or leather, which is not listed in our price list on a specific product, the standard warranty is 2 years.

Additional warranty conditions can be found at: fritzhansen.com/warranty

DIMENSIONS**JH140****JH150**