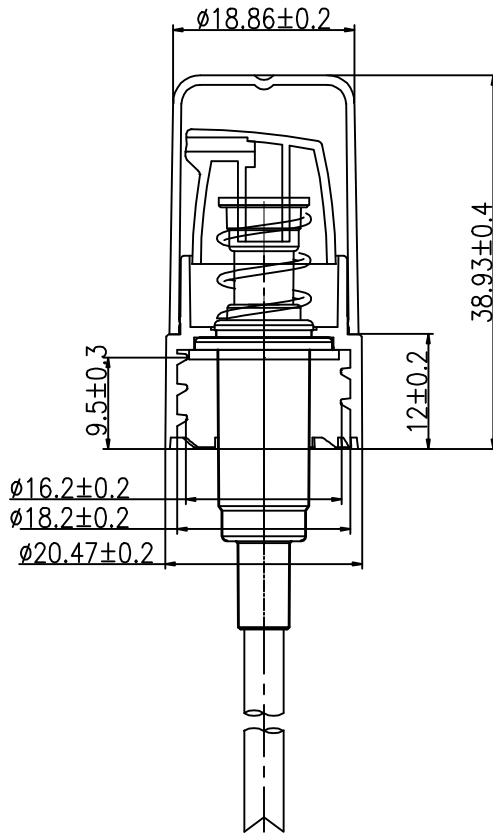
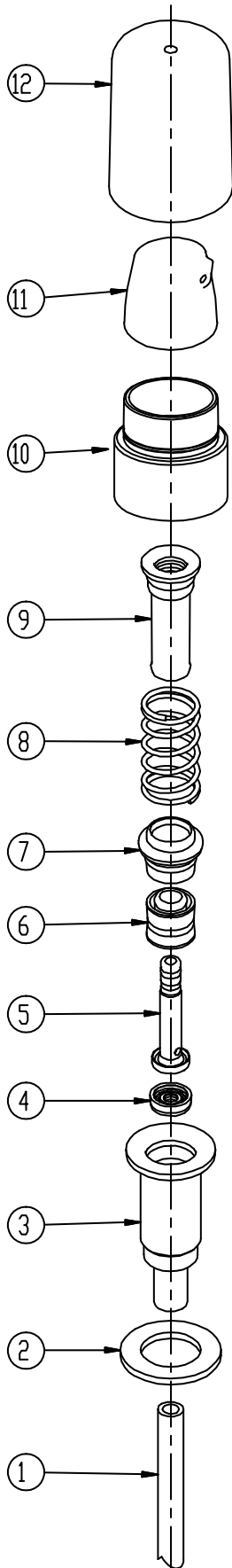



MARK	REVISER	DESCRIRTN	DATE



12	Over Cap	PP			1	
11	Actuator	PP			1	
10	18/400 Rib Closure	PP			1	
9	Stem	PP			1	
8	Spring	SUS304			1	
7	Chaplet	PCIM			1	
6	Piston	LDPE			1	
5	Sub Stem	PCIM			1	
4	Valve block	PP			1	
3	Housing	PP			1	
2	Gasket	EPE			1	
1	Dip Tube	PF			1	

LABEL	TOLERANCE		SCALE	1:1	SIZE	A4	PART NUMBER	TP2457-MD
	LENGTH	ANGLE					CLOSURE	18/400
<10	±0.1	±0.5	 <small>CitadelPackaging.com · 208-550-3393</small>	MM	DWG#	COLOR	MATERIAL	
10~30	±0.2						CODE	
30~100	±0.4						18-400 treatment pump with smooth closure	
>100	±0.6							
DESIGN			UNIT	MM	DWG#		CODE	
APPROVE								
DATE	2019-10-26							