



Brass Arundel Mushroom Surface Mount



Technical Specifications

Materials	Brass, glass
Product weight	4 lbs
Lead time	4 weeks
Bulbs included (1)	GU24 / 120 V / 5.0 W / 550 lm 2700K / dimmable
Dimmer	TRIAC
Max wattage	10 W
Certifications	UL listed, damp-rated

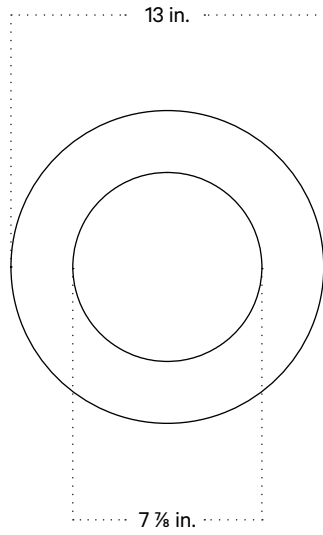


Notes

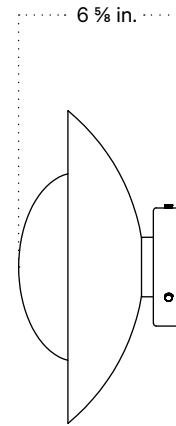
1. This fixture can be installed on a wall or ceiling.
2. All brass fixtures are handmade to order and will ship in 4 weeks.

Updated February 29, 2024

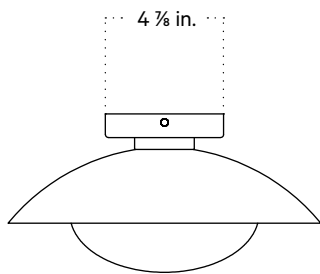
Front View



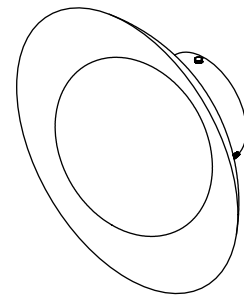
Side View



Front View: Ceiling Installation



Isometric View



Brass Arundel Mushroom Surface Mount, Plug-in



Technical Specifications

Materials	Brass, glass
Product weight	4.5 lbs
Lead time	4 weeks
Bulbs included (1)	GU24 / 120 V / 5.0 W / 550 lm 2700K / dimmable
Dimmer	Optional in-line dimmer switch
Cord length	16 feet
Max wattage	10 W
Certifications	UL listed, damp-rated

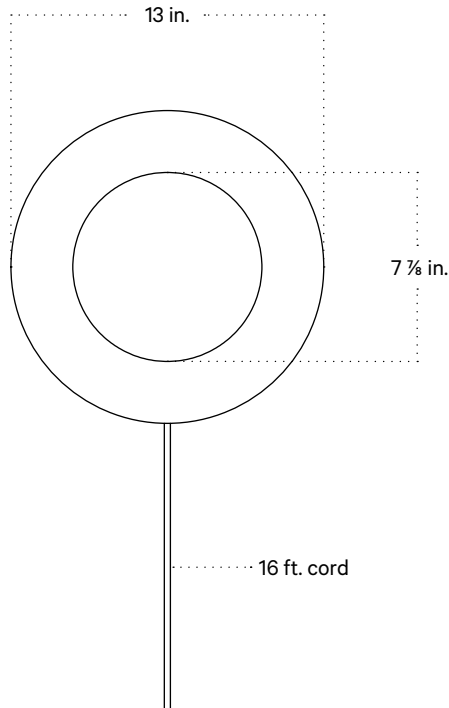


Notes

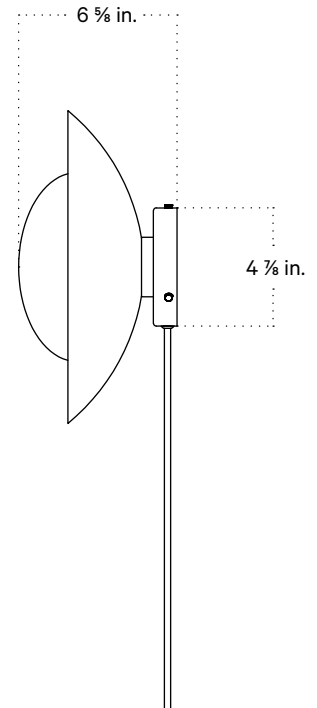
1. This fixture can be ordered with an on/off switch or an inline dimmer; see additional details below.
2. Fixtures ordered with painted metal hardware and an on/off switch come with a 16-foot black fabric cord. The on/off switch is located 8 feet from the plug.
3. Fixtures ordered with painted metal hardware and an inline dimmer have a 16-foot black nylon cord. The dimmer switch is our black painted metal finish and is located 8 feet from the plug.
4. Custom cord color can be specified for an additional cost; please inquire.
5. All painted metal finishes have a 2 week lead time.

Updated February 29, 2024

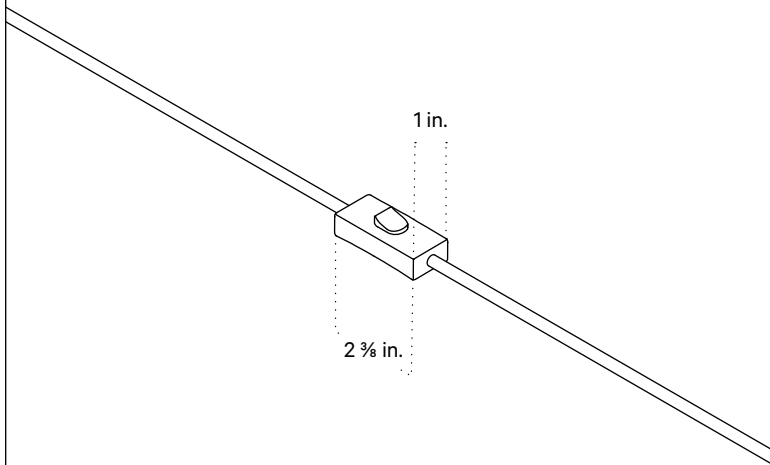
Front View



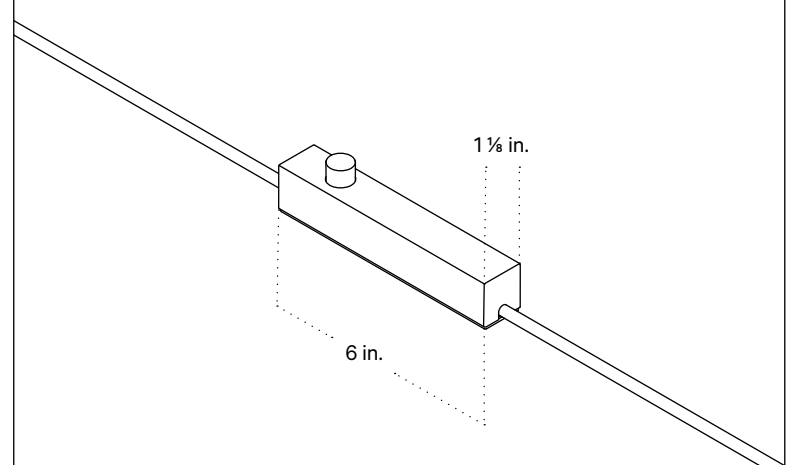
Side View



On/off Switch Detail



Inline Dimmer Switch Detail





Brass Arundel Mushroom Surface Mount, Outdoor Rated

Technical Specifications

Materials	Brass, glass
Product weight	4 lbs
Lead time	4 weeks
Bulbs included (1)	GU24 / 120 V / 5.0 W / 550 lm 2700K / dimmable
Dimmer	TRIAC
Max wattage	10 W
Certifications	UL listed, wet-rated

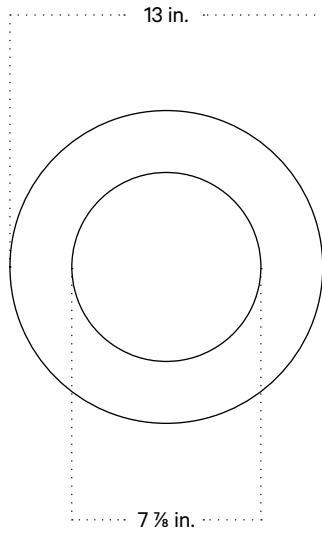


Notes

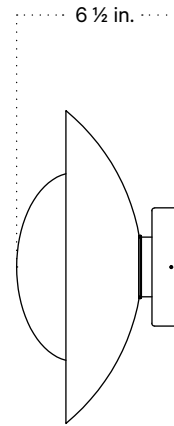
1. This fixture can be installed on a wall or ceiling.
2. All brass fixtures are handmade to order and will ship in 4 weeks.

Updated February 29, 2024

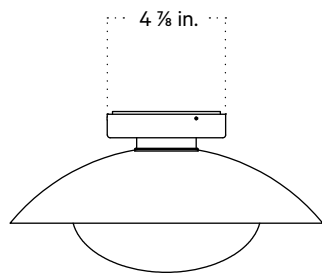
Front View



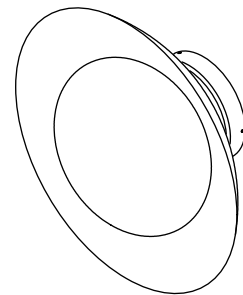
Side View



Front View: Ceiling Installation



Isometric View



Finish Options

Brass, glass, and ceramic samples made or finished by hand may exhibit variability. Available for purchase at incommonwith.com/finishes.

Brass



Brass

Patina Brass

Blackened Brass

Pewter