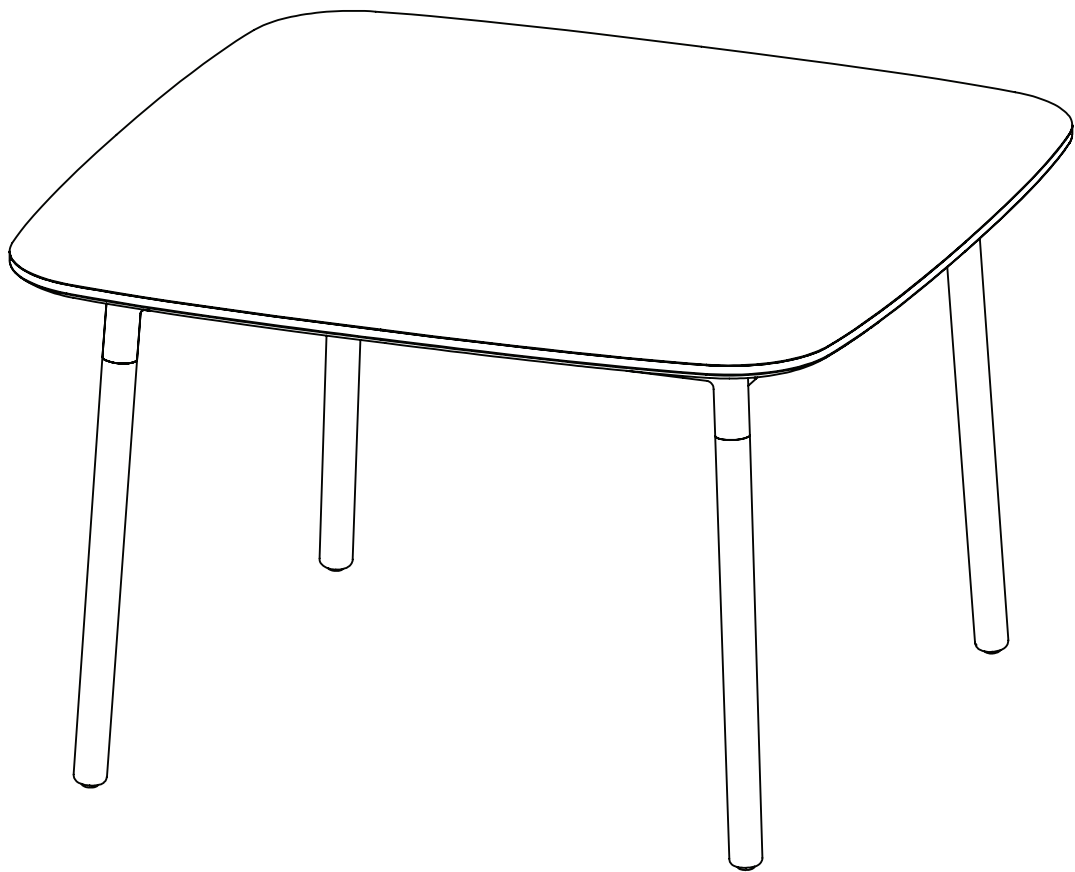


Form Table

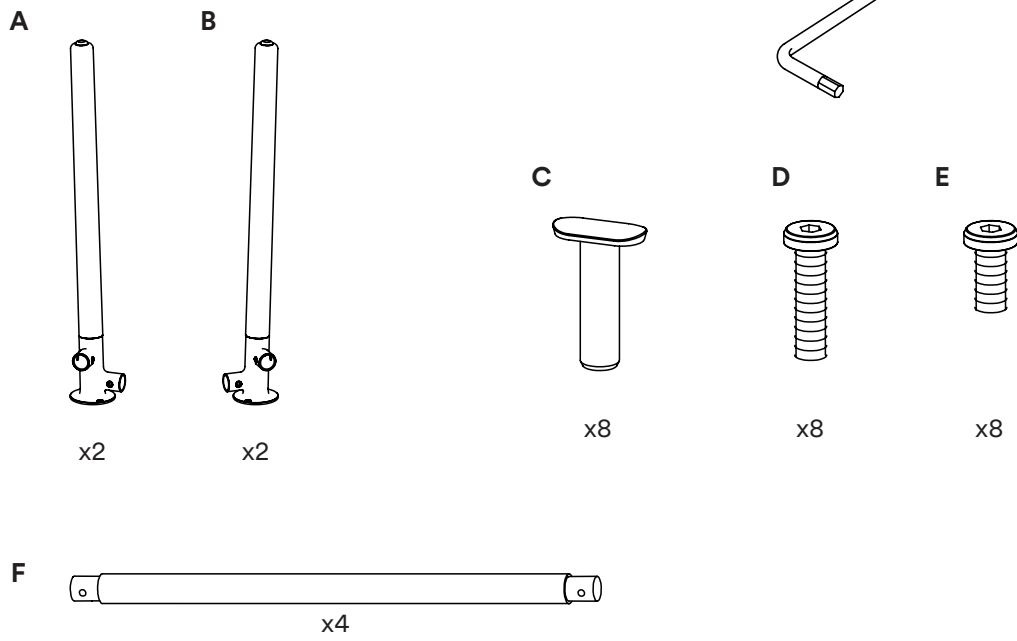
Assembly Instructions



normann

C O P E N H A G E N

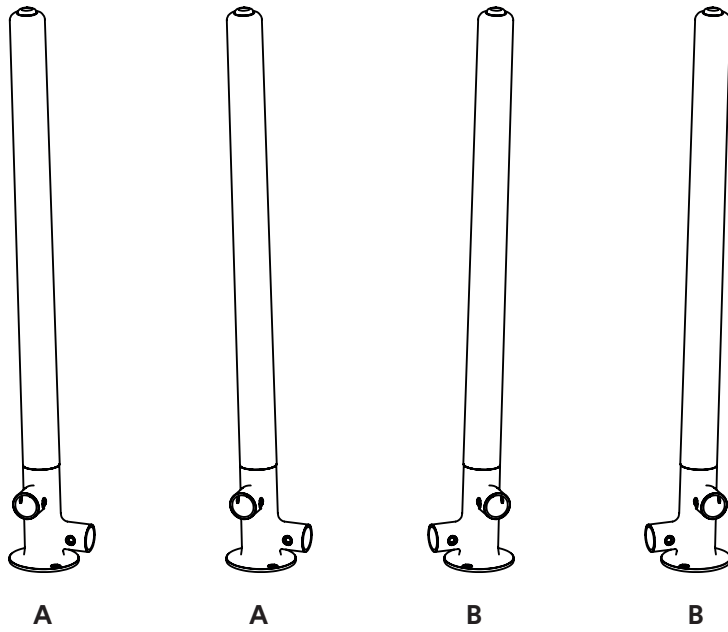
1



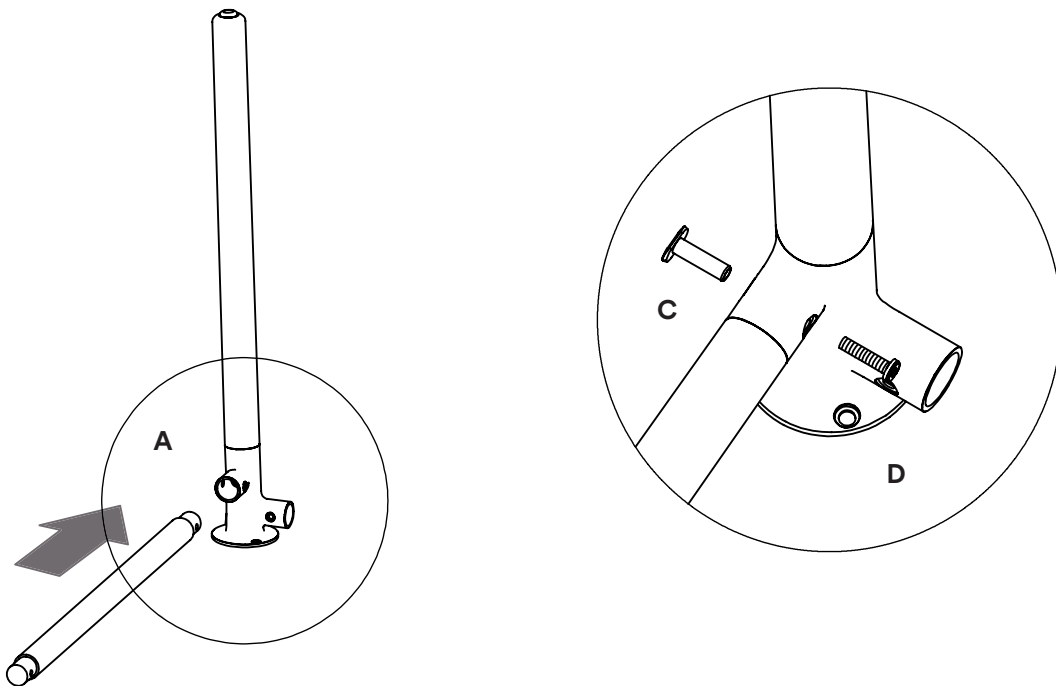
2



3



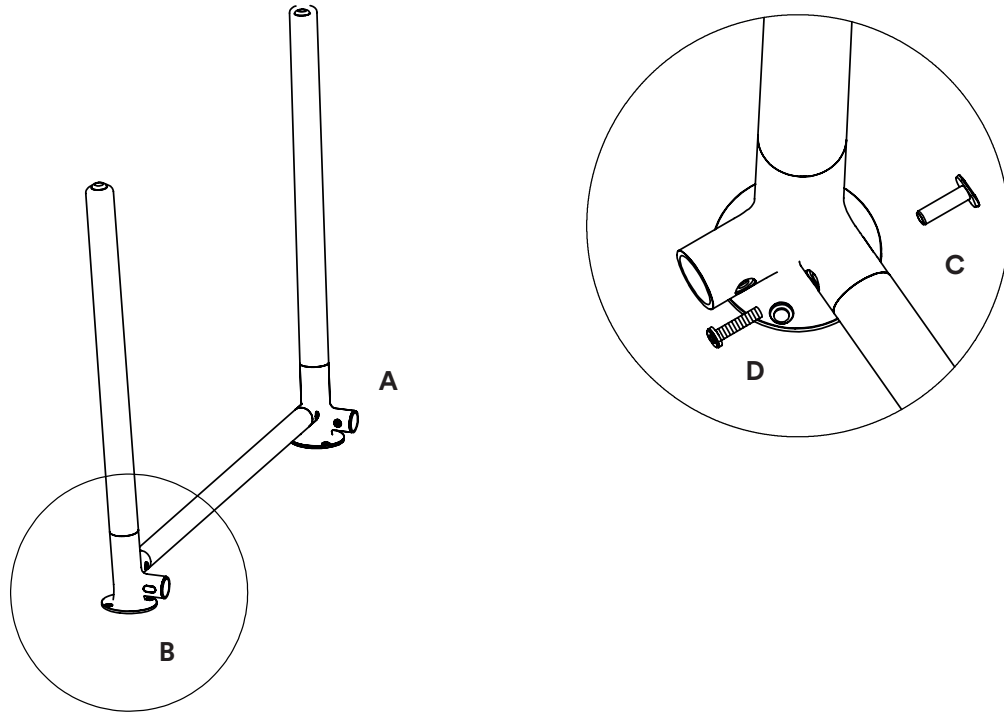
4



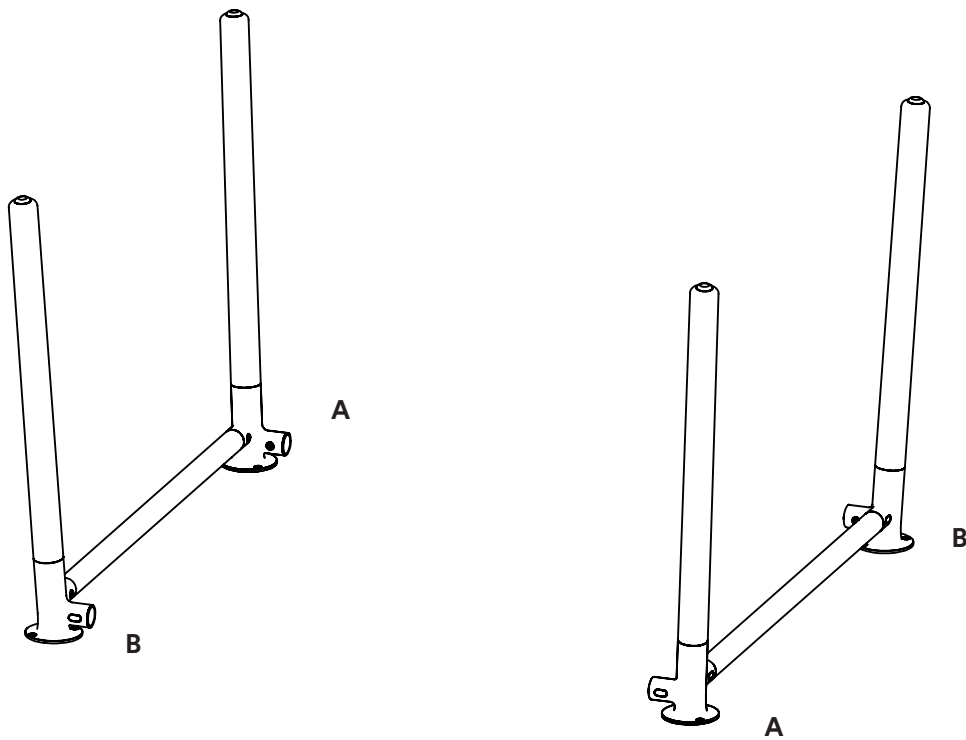
normann

C O P E N H A G E N

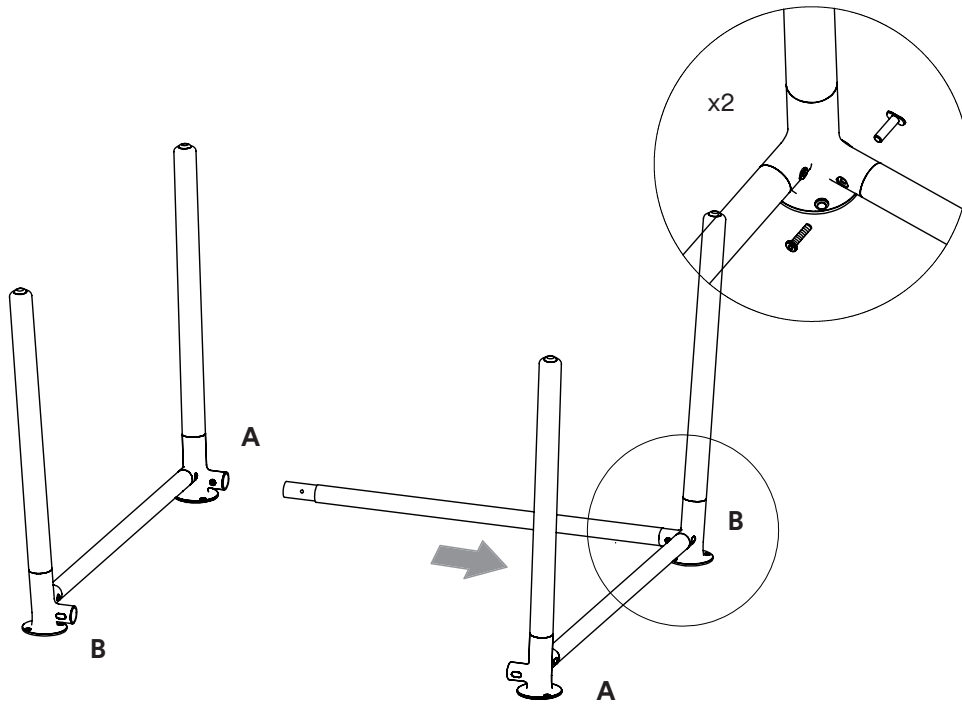
5



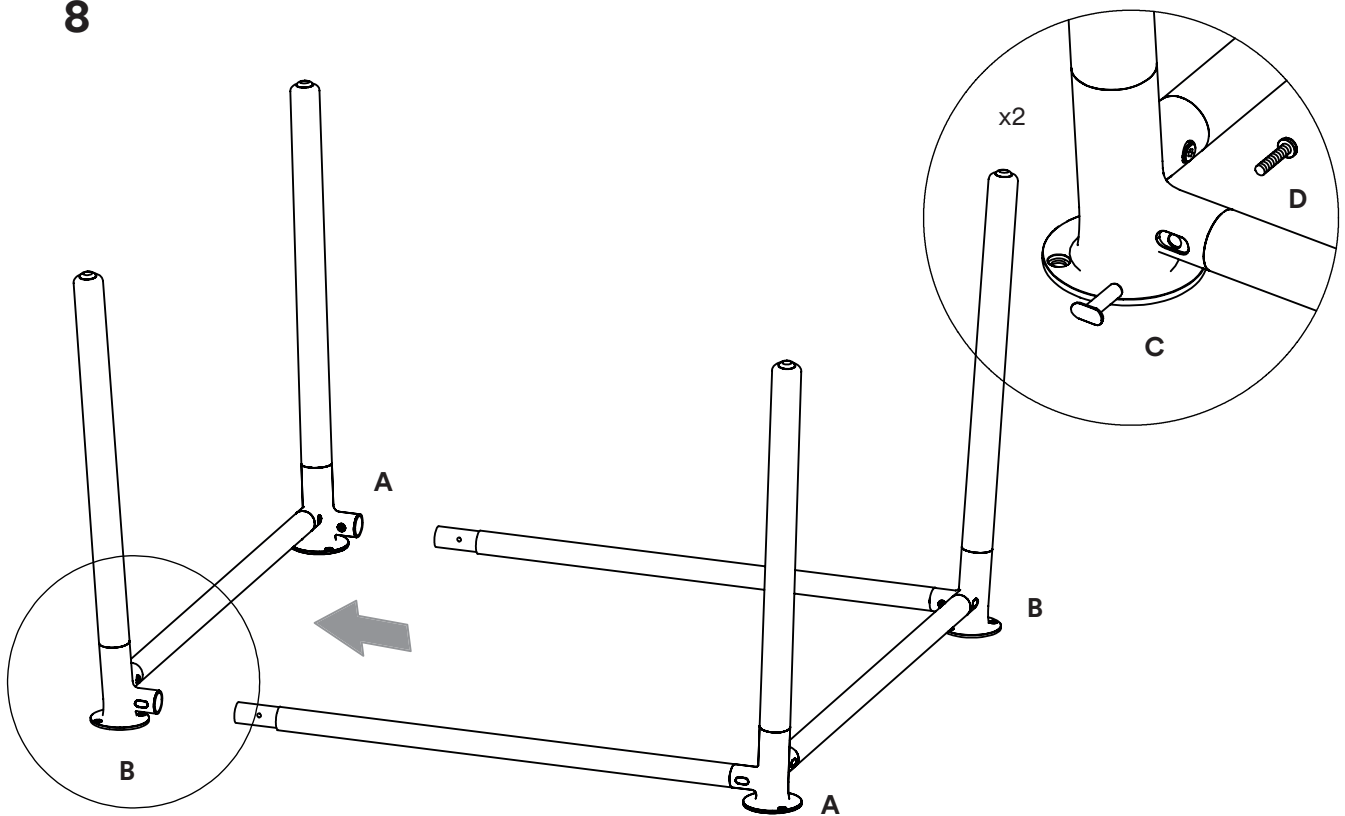
6



7



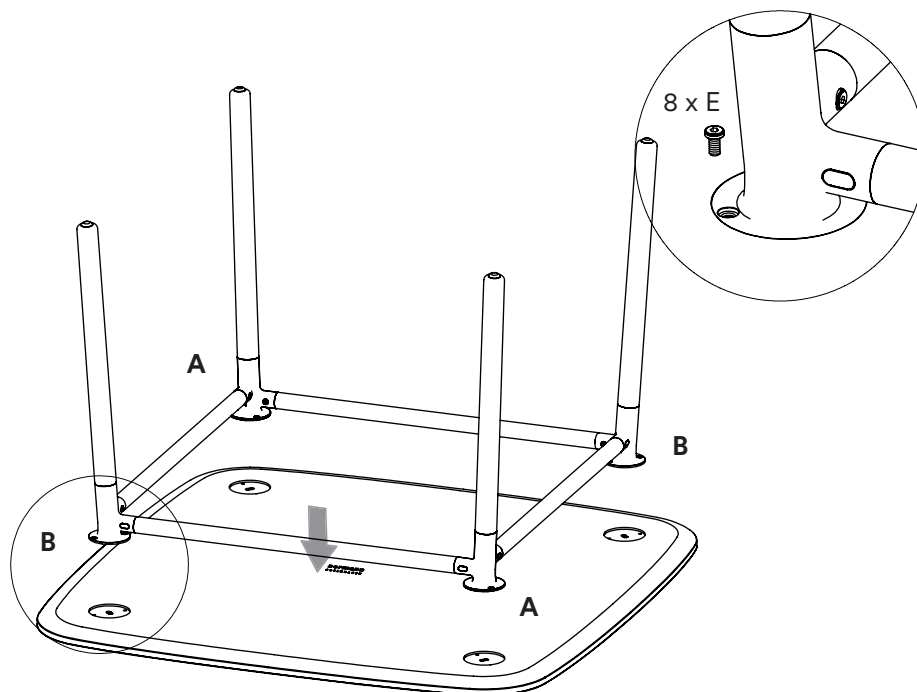
8



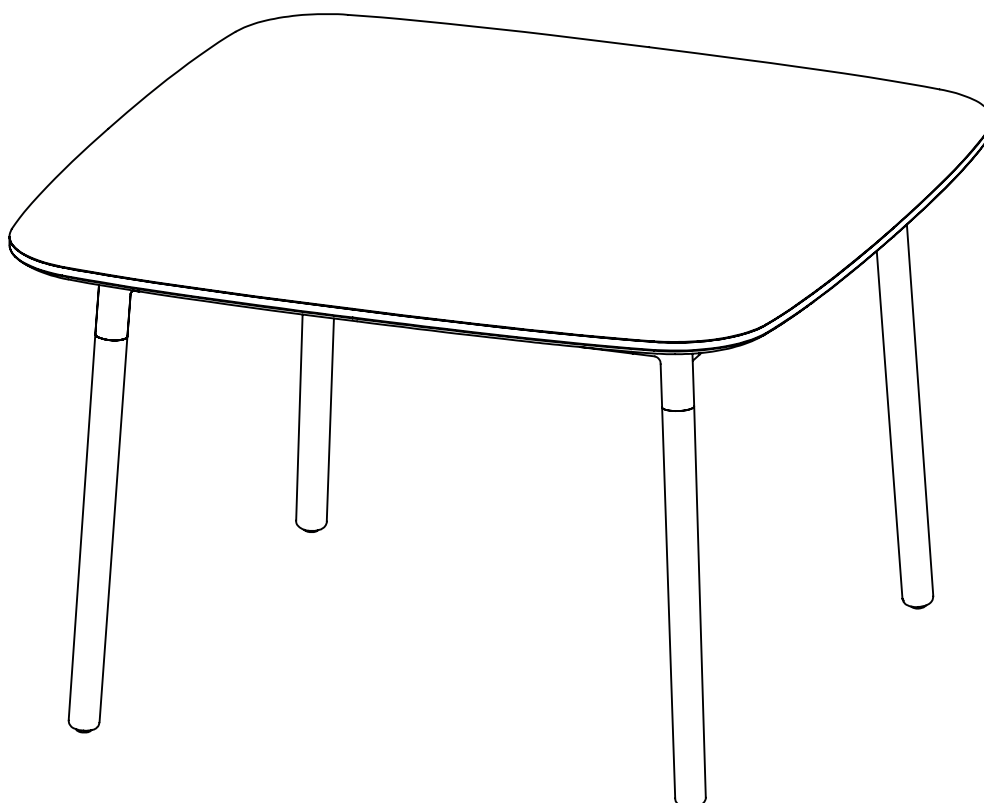
normann

COPENHAGEN

9



10



normann

C O P E N H A G E N