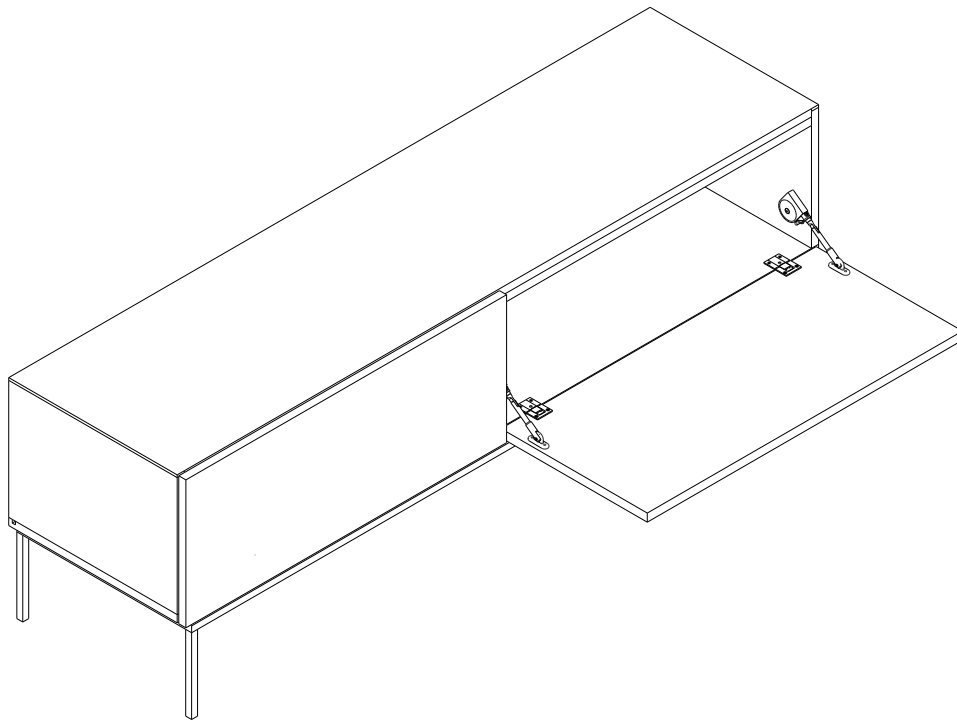
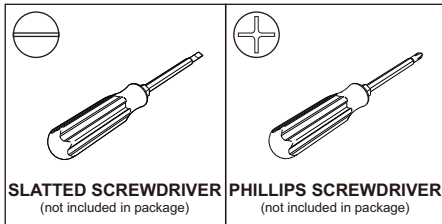
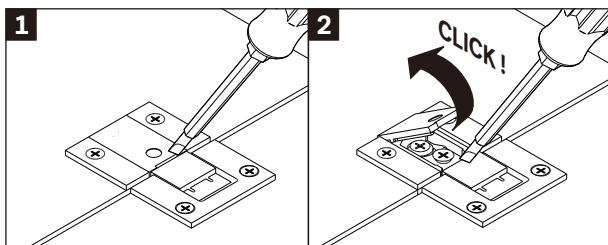


ASSEMBLY INSTRUCTIONS FOR HINGE & FLIP-DOWN DOOR ADJUSTMENT

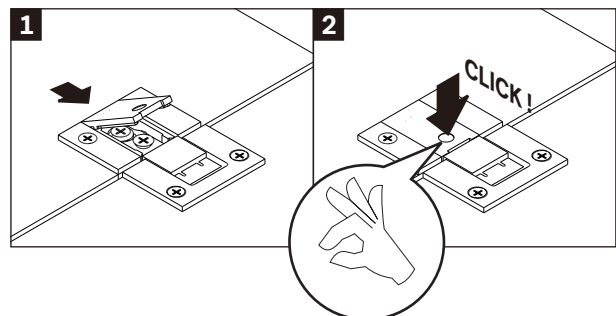
TOOLS



COVER CAP REMOVAL



COVER CAP INSTALLATION

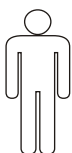


 **USE SLATTED SCREWDRIVER**

SYMBOLS



DIRECTION



NUMBER OF PERSONS NEEDED

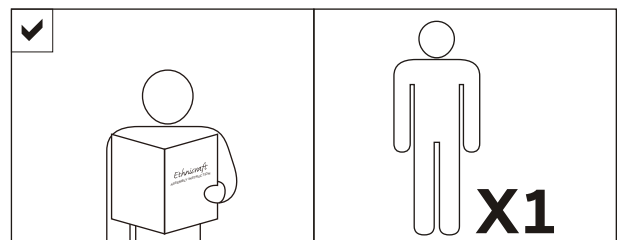


USE HAND



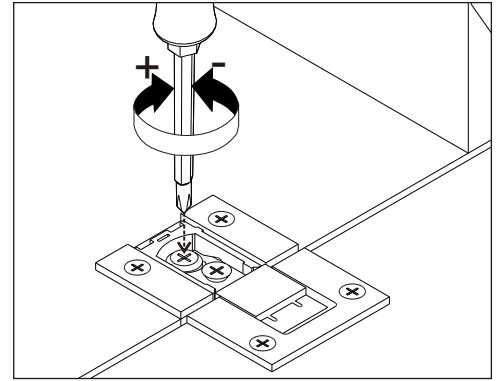
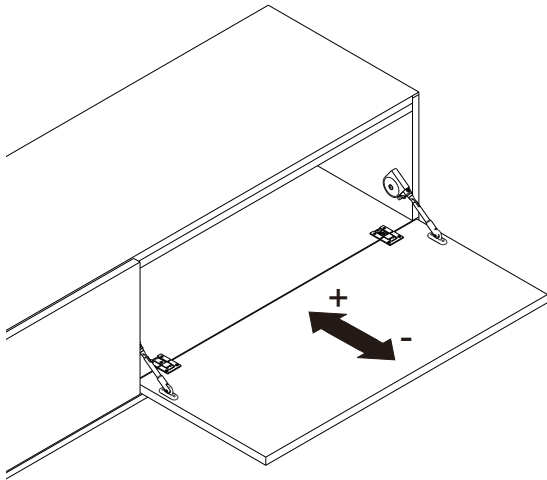
USE PHILLIPS SCREWDRIVER TO TIGHTEN

NOTICE



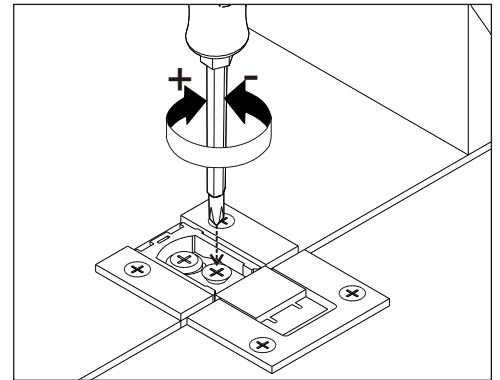
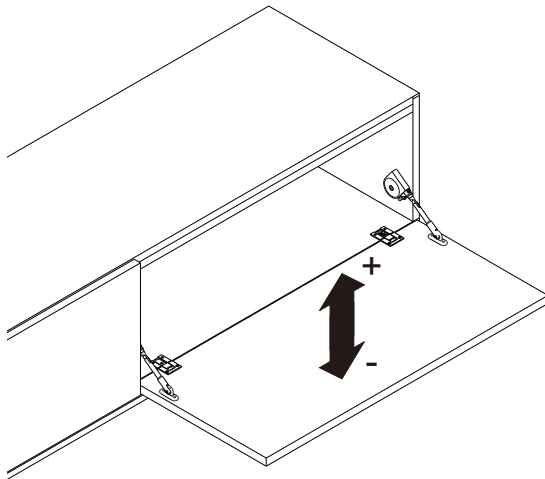
ASSEMBLY INSTRUCTIONS FOR HINGE & FLIP-DOWN DOOR ADJUSTMENT

A DEPTHWISE ADJUSTMENT



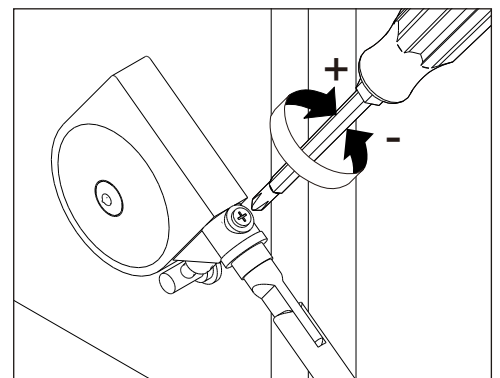
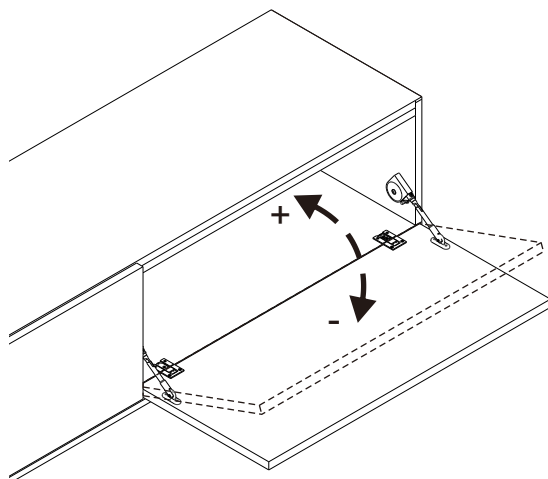
- ⚠ - DEPTH ADJUSTMENT 0 ± 2 MM
- ⚠ - ADJUST DOOR POSITION ONLY IF NEEDED

B HEIGHTWISE ADJUSTMENT



- ⚠ - HEIGHT ADJUSTMENT 0 ± 2 MM
- ⚠ - ADJUST DOOR POSITION ONLY IF NEEDED

C ANGLE OF THE DOOR ADJUSTMENT



- ⚠ - ADJUST DOOR POSITION ONLY IF NEEDED