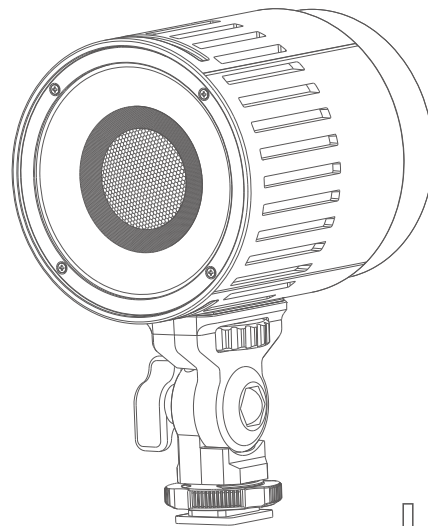


合格证
QC PASS

LITEMONS



LC30D

LITEMONS 桌面 LED 灯
Litemons Tabletop LED Light

LC30Bi

LITEMONS 桌面双色温 LED 灯
Litemons Tabletop Bi-color LED Light

说明手册
Instruction Manual



Wechat
Official Account
神牛微信公众号

深圳市神牛摄影器材有限公司

地址: 深圳市宝安区福海街道塘尾社区耀川工业区厂房2栋 电话: 0755-29609320(8062)
传真: 0755-25723423 邮箱: godox@godox.com

GODOX Photo Equipment Co.,Ltd.

Add.: Building 2, Yaochuan Industrial Zone, Tangwei Community, Fuhai Street, Bao'an District, Shenzhen
518103, China Tel: +86-755-29609320(8062) Fax: +86-755-25723423 Email: godox@godox.com

www.godox.com

Made in China | 705-LC30D0-00



重要的安全说明及注意事项

首先作为最基本原则：本产品为专业灯光布景设备，应由专业灯光师使用或在专业人士指导下使用。使用时必须始终遵循基本的安全预防措施，具体安全预防措施如下：

1. 使用前必须阅读并理解产品说明书。
2. 专业灯具，禁止儿童使用。当儿童靠近时，家长或陪护人必须密切监督，以免儿童因碰撞灯具或私用灯具造成人身伤害。
3. 本灯具并非普通照明灯具，不可用于普通照明，任何有过眼部损伤或眼部敏感的人群均应避免使用本灯具。
4. 灯具点亮时，必须小心使用，禁止接触高温部件，如LED灯珠，以免造成灼伤。灯具点亮时，任何情况下均禁止直视灯珠。应该在专业灯光师指导下使用强光，
5. 任何情况下避免长时间处于强光环境，如引起眼睛不适，请及时关闭灯具，暂停使用，请及时就医。
6. 倘灯珠损坏或因热变形，应停止使用，并及时联系制造商、服务代理商或合格的维修人员更换灯珠，以免发生意外。
7. 本产品仅适用于-10°C-40°C工作环境温度及正常湿度环境下使用。
8. 请勿使用损坏的设备或设备配件，待专业维修人员检查维修，确认设备正常方可使用。
9. 在使用过程中，如果本产品由于跌落、受到挤压或遭受强烈冲击而造成外壳破裂的，请勿继续使用，以免因接触到内部电子元件而受到电击伤害。
10. 如需要延长线，请使用额定电流≥该设备额定电流的延长线。如延长线额定电流小于该设备，可能导致过热。
11. 部分产品电源线较长，请合理放置电源线，使其处于安全位置。避免电源线接触过热物体表面、避免放置不当导致拉扯损坏或绊倒现场人员。请使用本厂原装电源线，如使用非本厂电源线导致产品损坏，概不在本厂维修范围内。
12. 在清洁和维修之前，请务必从电源插座上拔出该设备插头。不使用时，禁止拉扯电源线以将设备插头从电源插座中拔出。正常断电，应是用手抓住该设备插头两端，将插头从电源插座中拔出。此设备需连接到接地插座中。
13. 本设备没有防水性能，请让设备保持干燥，请勿将本设备浸入水中或其他液体中。设备需安装在干燥且通风处，避免在雨天、潮湿、多尘或过热环境下使用。请勿将任何物体置于灯具上或使液体流入灯具内部，以免发生意外。
14. 请勿私自拆卸产品，如产品出现故障，须由本公司或授权的维修人员进行检查维修。
15. 存放本设备之前，请确保设备已完全冷却。存放时，将电源线从设备上拔出。设备应放置于设备便携包内或通风干燥处。

16. 请勿将设备放置在酒精、汽油等易燃挥发的溶剂附近。
17. 本厂不推荐的产品附件，请勿使用，以免导致火灾、触电或人身伤害。
18. 清洁本设备时，请勿用湿布擦拭，请用干布，软布擦拭设备污垢。
19. 设备使用前，请注意将保护罩取下。
20. 本产品已通过ROHS, CE, KC 和 FCC 认证，请参考相关国家标准使用和操作。
21. 安全说明依据本厂严格测试制定，设备设计和规格如有变更，恕不另行通知。客户可以上神牛官网查看最新的电子版说明，了解产品最新资讯。
22. 部分产品内置锂电池。此类产品请使用专用的充电器进行充电，并且按正确的操作说明，在规定的电压、温度范围内使用。
23. 部分产品使用电池供电。此类产品请勿使用说明书中未指定的任何电池、电源或附件。请将电池和其他附件置于儿童及婴幼儿无法触及之处。如果儿童或婴幼儿吞下电池或附件，请立刻就医。如果电池漏液、变色、变形、冒烟或发出异味，请立刻将其取出。在取出过程中请小心，以免烫伤。如果继续使用，可能会引起火灾、触电或皮肤烫伤。请勿使用任何变形或改造过的电池。请勿拆卸或改造本产品或电池。请勿加热电池或焊接电池。请勿让电池与火或水接触。请勿让电池受到强烈的外力撞击。请勿将电池的正负端错误插入，或将新旧电池或不同类型的电池混合使用。
24. 一年保修期，消耗品电池、适配器、电源线等配件不在此保修范围内。
25. 经发现，擅自检修设备，将取消一年保修期，维修需要收取相关费用。
26. 对于不规范操作引起的机器故障不在保修范围内。

保存这些说明

前言

感谢您购买Litemons LED摄影灯!

Litemons全新推出的LED摄影灯LC30D/LC30Bi, 结构紧凑精致, 净重299g, 可装灯架可手持, 高照度, 聚光性好。另购ML系列摄影灯附件套装ML-AK, 支持快速拆卸电池盒和NP-F970电池。磁吸卡口, 另购神牛柔光球可打造创意光效, 适用于静物拍摄。该灯常适用于外出移动拍摄、小型影视拍摄、直播间布光、短视频拍摄布光等众多场景。

主要特点

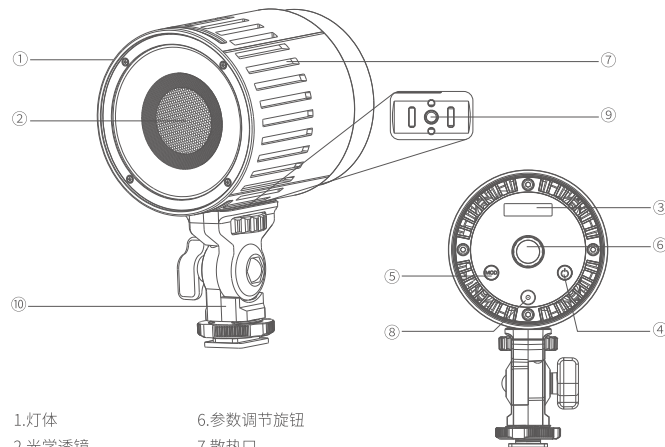
- 小巧易握, 利于灵活布光
- 预设8种模拟光效 (LC30D)
- 预设11种模拟光效 (LC30Bi)
- 色温恒定, 均匀发光 (LC30D)
- 可调色温, 范围为3200K-6500K (LC30Bi)
- 科学散热系统, 散热更合理均匀
- DC供电或NP-F970电池供电 (需另购电池盒)
- CRI≥95, TLCI≥96

警告

- △ 使用器材时, 应始终遵循基本的安全预防措施, 具体如下:使用前, 请阅读并理解所有说明。
- △ 儿童请勿靠近或者使用该设备, 当儿童靠近或使用设备时, 监护人有必要进行密切监督。在使用过程中, 请勿将设备置于无人看管状态。
- △ 请勿在电源线损坏的情况下操作设备, 请勿私自拆卸产品, 如产品出现故障须由本公司或授权的维修人员进行检查维修。
- △ 请放置好电源线, 防止操作人员被电源线绊倒, 禁止拉扯电源线以免导致设备断电, 且电源线不可接触灼热表面。
- △ 在清洁和维修之前, 请务必从电源插座上拔下电源插头。
- △ 不使用时, 切勿拉扯电线将插头从插座中拔出。应当抓住插头并拉动拔出。
- △ 该设备没有防水功能, 为减少危险, 请勿将本产品浸入水中或其他液体。
- △ 需维修时, 应将其交给本公司或授权的维修人员进行检查维修。不正确的维修行为, 可能在随后使用设备时出现触电情况。
- △ 本产品工作时, 请勿遮挡散热口, 请勿直视COB灯珠, 任何情况下请勿触摸COB灯珠。

部件

灯体



- 1.灯体
- 2.光学透镜
- 3.显示屏
- 4.电源开关按键
- 5.MOD按键
- 6.参数调节旋钮
- 7.散热口
- 8.DC输入接口
- 9.1/4" 螺丝孔
- 10.转接座 AH-01

标配物品



灯体*1



转接座AH-01*1



适配器*1

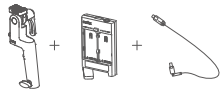


电源线*1

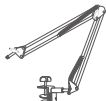


说明书*1

可选配物品



ML系列摄影灯附件套装ML-AK*1



悬臂支架*1



硅胶柔光球*1

操作说明

接通电源

通过DC适配器连接交流电源，短按LED灯上的电源开关按键，实现开机或关机。

模式选择：色温模式/FX光效模式

1.色温模式(LC30D/LC30Bi)：主界面即为色温模式，LC30D为单色温版本，色温为5600K。LC30Bi为双色温版本，短按MOD按键让小箭头指向色温值时，旋转参数调节旋钮可进行色温调节，色温调节范围为3200K-6500K。

2.亮度调节(LC30D)：在主界面，直接旋转参数调节旋钮进行亮度调节，左旋-/右旋+，调节范围为0%-100%。正常旋转增加或者减少1个单元值。

3.亮度调节(LC30Bi)：短按MOD按键，小箭头指向亮度值时，旋转参数调节旋钮进行亮度调节，左旋-/右旋+，调节范围为0%-100%。正常旋转增加或者减少1个单元值。

4.FX光效模式(LC30D)：长按MOD按键进入光效模式，短按MOD按键，让小箭头指向光效图标。旋转参数调节旋钮让不同光效依次循环切换。

显示	FX1	FX2	FX3	FX4	FX5	FX6	FX7	FX8
场景	Flash 1	Flash 2	Flash 3	Storm 1	Storm 2	Storm 3	坏灯泡	TV

5.FX光效模式(LC30Bi)：长按MOD按键进入光效模式，短按MOD按键，让小箭头指向光效图标。旋转参数调节旋钮让不同光效依次循环切换。

显示	FX1	FX2	FX3	FX4	FX5	FX6	FX7	FX8	FX9	FX10	FX11
场景	Flash 1	Flash 2	Flash 3	Storm 1	Storm 2	Storm 3	坏灯泡	TV	蜡烛	火	烟花

LC30D				
色温	照度单位	0.5m	1m	2m
5600K	lux	35800	9600	2500
	fc	3300	900	230

LC30Bi				
色温	照度单位	0.5m	1m	2m
3200K	lux	28200	6750	1830
	fc	2110	627	170
4300K	lux	30100	8890	2420
	fc	2800	826	225
5600K	lux	27300	8010	2190
	fc	2540	745	204
6500K	lux	25200	7320	2010
	fc	2340	680	187

以上测试皆在灯体100%亮度下进行。

规格参数

型号	LC30D	LC30Bi
供电	DC 14V	DC 14V
功率	最大33W	最大38W
色温	5600K	3200K-6500K
光效类型	8种	11种
调光范围	0%-100%	
CRI ≈	95	
TLCI ≈	96	
工作环境温度	-10°C~40°C	
产品尺寸	≈76*76*92mm	≈76*76*92mm
净重	≈299g	≈299g

Safety Instructions and Attentions

First of all, as the most basic principle: This product is a professional lighting set equipment and should be used by professional lighting engineers or under the guidance of professionals. Basic safety attentions must always be followed during use, as follows:

1. Before use, please read and understand these instructions and attentions.
2. Professional lighting is prohibited for children. When children are near, parents or accompanying persons must supervise closely to prevent children from personal injury due to collision with lamps or private use of lamps.
3. This lighting product is not ordinary lighting product and cannot be used for general lighting. Anyone who has suffered eye damage or has sensitive eyes should avoid using this product.
4. When the lamp is on, it must be used with care. Do not touch high-temperature parts, such as LED lamp beads, to avoid burns.
5. When the lamp is on, it is forbidden to look directly at the lamp beads under any circumstances. Strong light should be used under the guidance of professional lighting engineers. Avoid prolonged exposure to strong light under any circumstances. If eye discomfort, please turn off the lamp in time, suspend use, and see a doctor immediately.
6. If the lamp bead is damaged or deformed by heat, stop using this equipment, and contact the manufacturer, service agent or qualified maintenance personnel to replace the lamp bead in time to avoid accidents.
7. This product is only suitable for use in -10°C to 40°C operating environment and normal humidity environment.
8. Do not use damaged equipment or accessories, and wait for professional maintenance personnel to check and repair to confirm being normal before use.
9. During using, if the casing of this product is broken due to being dropped, squeezed or subjected to strong impact, please do not use it, so as to avoid electric shock injury due to contact with internal electronic components.
10. If an extension cord is required, please use an extension cord with a current rating greater than or equal to that of the equipment. If an extension cord is rated less than the equipment, overheating may result.
11. Some products have long power cords, please place the power cords properly and keep them in a safe place. Avoid contacting the power cord with overheating surfaces, avoid improper placement that could cause pulling damage, or trip on-site personnel. Please use the certified power cord from the original manufacturer. If the product is damaged by using a non-certified power cord, it will not be repaired by our factory.
12. Be sure to unplug equipment from the power outlet before cleaning and repairing. When not in use, do not pull the power cord to unplug the equipment. For normal power-off, please hold both ends of the plug of the equipment with your hands and pull the plug out of power outlet. This equipment needs to be connected to a grounded outlet.
13. This equipment is not waterproof, please keep it dry and do not immerse it in water or other liquids. The equipment should be installed in a dry and ventilated place, and avoid using it in rainy, humid, dusty or overheated environments. Do not place any objects on the lamp or let liquid flow into the lamp to avoid accidents.
14. Do not disassemble the product without permission. If the product fails, it must be checked and repaired by authorized maintenance personnel.
15. Before storing, make sure that the equipment has cooled down completely. For storage, unplug the power cord from the equipment. The equipment should be placed in the carrying case or in a ventilated dry place.
16. Do not place equipment near flammable and volatile solvents such as alcohol and gasoline.
17. Do not use accessories that are not recommended by our factory to avoid fire, electric shock or personal injury.
18. When cleaning, do not wipe it with a damp cloth, please use a dry cloth or a soft cloth to wipe the dirt of the equipment.
19. Please take off the protective cover before using.
20. This product complies with ROHS, CE, KC and FCC certification, please refer to the relevant national standards for use and operation.
21. The safety instructions are formulated according to the strict testing of the factory, and the design and specifications of the equipment are subject to change without prior notice. For latest product information, please check the GODOX website and view latest electronic instruction.

22. Some products have built-in lithium batteries. Please use specified chargers, and use them within a proper range of the specified voltage and temperature according to the correct operating instructions.
23. Some products are battery powered. Do not use any batteries, power sources or accessories not specified in the instructions for such products. Keep batteries and other accessories out of the reach of children and infants. In the instance that a child or infant swallows a battery or accessory, immediate emergency medical attention is required. If the battery leaks, becomes discolored, deformed, emits smoke, or emits an abnormal odor, remove it immediately. Be careful during removal to avoid burns. Continued use could result in fire, electric shock, or burns. Do not use any deformed or modified batteries. Do not disassemble or modify this product or battery. Do not heat or solder the battery. Keep the battery away from fire or water. Do not incorrectly insert the positive and negative ends of batteries, or mix old and new batteries or batteries of different types together.
24. One-year warranty period, accessories such as consumable batteries, adapters, power cords, etc. are not covered by this warranty.
25. If it is found that the equipment is repaired without authorization, the one-year warranty period will be cancelled and relevant fees will be charged for maintenance.
26. Machine failures caused by non-standard operation are not covered by the warranty.

keep these instructions!

Foreword

Thank you for purchasing Godox product!

LC30D and LC30Bi are two new Litemons series LED lights. With compact structure, net weight of 299g and mountable light stand to make them handheld, they are preferential choice for mobile lighting. They can be collocated with optional Accessory Kit for ML Series Video Lights ML-AK which has detachable charging case and NP-F970 battery, and Godox Diffusion Dome through magnetic mount. The super spot lighting effect and bright lighting output make them quite suitable for outdoor shooting, short film shooting, live streaming and short video lighting.

Main Features

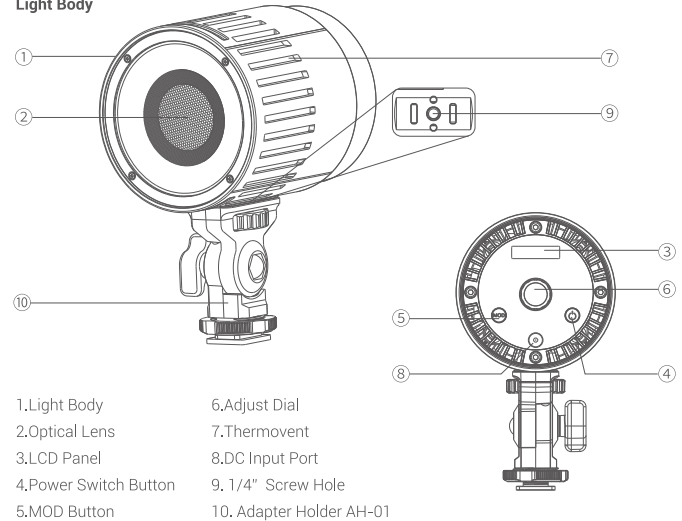
- Compact and portable, flexible lightning;
- **LC30D**: preset 8 light effects and stable color temperature;
- **LC30Bi**: preset 11 light effects and adjustable color temperature from 3200K to 6500K;
- Scientific cooling system, CRI \geq 95, TLCI \geq 96;
- DC power supply or NP-F970 battery power supply (charging case is sold separately);

Warning

- ⚠ When using your photographic equipment, basic safety precautions should always be followed, including the following:
 - ⚠ Read and understand all instructions before using.
 - ⚠ Close supervision is necessary when any appliance is used by or near children. Do not leave appliance unattended while in use.
 - ⚠ Care must be taken as burns can occur from touching hot parts.
 - ⚠ Do not operate appliance with a damaged cord or if the appliance has been dropped or damaged – until it has been examined by a qualified serviceman.
 - ⚠ Position the cord so that it will not be tripped over, pulled, or contact hot surfaces.
 - ⚠ If an extension cord is necessary, a cord with a current rating at least equal to that of the appliance should be used. Cords rated for less amperage than the appliance may overheat.
 - ⚠ Always unplug appliance from electrical outlet before cleaning and servicing and when not in use. Never yank cord to pull plug from outlet. Grasp plug and pull to disconnect.
 - ⚠ This appliance is not waterproof device. To reduce the risk of electric shock, do not immerse this appliance in water or other liquids.
 - ⚠ Do not disassemble. Should repairs become necessary, this appliance must be sent to an authorized maintenance center. Incorrect maintenance behavior may cause electric shock when the appliance is subsequently used.
 - ⚠ When this appliance is working, please do not cover the thermovent, and please do not look directly at or touch the COB lamp beads under any circumstances.

Name of Parts

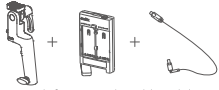
Light Body



Included Items



Optional Accessories



Accessory Kit for ML Series Video Lights ML-AK+1



Cantilever Bracket+1



Collapsible Diffusion Dome+1

Operating Instruction

Connect to Power Supply

Connect the LED light to AC power supply through DC adapter, short press the power switch button to turn on or off.

Mode Switch: CCT Mode/FX Mode

1.CCT Mode (LC30D/LC30Bi) : The CCT mode is on the main interface. LC30D has a stable color temperature of 5600K, while LC30Bi needs to short press MOD button to make the arrow aiming at the CCT value then turn the adjust dial to adjust color temperature from 3200K to 6500K.

2.Brightness Adjustment (LC30D) : Turn the adjust dial on the main interface to adjust brightness from 0% to 100%, turn left to decrease while turn right to increase with 1 unit of increment.

3.Brightness Adjustment (LC30Bi) : Short press MOD button to make the arrow aiming at the brightness value then turn the adjust dial to adjust brightness from 0% to 100%, turn left to decrease while turn right to increase with 1 unit of increment.

4.FX Mode (LC30D) : Long press MOD button to enter FX mode, short press MOD button to make the arrow aiming at the FX icon then turn the adjust dial to switch among different light effects.

Display	FX1	FX2	FX3	FX4	FX5	FX6	FX7	FX8
Scene	Flash 1	Flash 2	Flash 3	Storm 1	Storm 2	Storm 3	Broken Blub	TV

5.FX Mode (LC30Bi) : Long press MOD button to enter FX mode, short press MOD button to make the arrow aiming at the FX icon then turn the adjust dial to switch among different light effects.

Display	FX1	FX2	FX3	FX4	FX5	FX6	FX7	FX8	FX9	FX10	FX11
Scene	Flash 1	Flash 2	Flash 3	Storm 1	Storm 2	Storm 3	Broken Blub	TV	Candle	Fire	Fire work

LC30D				
CTT	Illuminance unit	0.5m	1m	2m
5600K	lux	35800	9600	2500
	fc	3300	900	230

LC30Bi				
CTT	Illuminance unit	0.5m	1m	2m
3200K	lux	28200	6750	1830
	fc	2110	627	170
4300K	lux	30100	8890	2420
	fc	2800	826	225
5600K	lux	27300	8010	2190
	fc	2540	745	204
6500K	lux	25200	7320	2010
	fc	2340	680	187

All the above tests are based on the condition of 100% brightness

Technical Data

Model	LC30D	LC30Bi
Power Supply	DC 14V	DC 14V
Power	Max. 33W	Max. 38W
Color Temperature	5600K	3200K-6500K
FX type	8	11
Brightness Range	0%-100%	
CRI ≈	95	
TLCI ≈	96	
Working Environment- Temperature	-10°C~40°C	
Dimension	≈76*76*92mm	≈76*76*92mm
Net Weight	≈299g	≈299g

FCC Statement

This device complies with part 15 of the FCC Rules. Operation is subject to the following two conditions: (1) This device may not cause harmful interference, and (2) this device must accept any interference received, including interference that may cause undesired operation.

Any Changes or modifications not expressly approved by the party responsible for compliance could void the user's authority to operate the equipment.

Note: This equipment has been tested and found to comply with the limits for a Class B digital device, pursuant to part 15 of the FCC Rules. These limits are designed to provide reasonable protection against harmful interference in a residential installation. This equipment generates uses and can radiate radio frequency energy and, if not installed and used in accordance with the instructions, may cause harmful interference to radio communications. However, there is no guarantee that interference will not occur in a particular installation. If this equipment does cause harmful interference to radio or television reception, which can be determined by turning the equipment off and on, the user is encouraged to try to correct the interference by one or more of the following measures:

- Reorient or relocate the receiving antenna.
- Increase the separation between the equipment and receiver.
- Connect the equipment into an outlet on a circuit different from that to which the receiver is connected.
- Consult the dealer or an experienced radio/TV technician for help.

Declaration of Conformity:

GODOX Photo Equipment Co,Ltd. hereby declares that the This equipment are in compliance with the essential requirements and other relevant provisions of EU Directive 2014/35/EU、2014/30/EU. They are allowed to be used in all EU member states. For more information of DoC, Please click this web link:

http://www.godox.com/DOC/Godox_LC30D_LC30BI_DOC.pdf

产品保修

尊敬的用户, 本保修卡是申请保修服务的重要凭证, 请您配合销售商填写并妥善保管, 谢谢!

产品信息	型号	产品条码
用户信息	姓名	联系电话
	通信地址	
销售商信息	名称	
	联系电话	
	通信地址	
	销售日期	
备注		

注: 此表应由销售商盖章确认。

适用产品

本文件适用于相关《产品保修信息》(见后面说明)所列产品, 其他非属此范围的产品或部件(如促销品、赠品及其他出厂后附加的部件等)不在此保修承诺内。

保修期

产品及部件的相应保修期按相关的《产品保修信息》执行。保修期自产品首次购买日起算, 购买日以购买产品时保修卡登记日期为准。

如何获得保修服务

您可直接与产品销售商或授权服务机构联系,也可拨打神牛产品售后服务电话,与我们联系,由我们的服务人员为您安排服务。申请保修时,您应提供有效的保修卡作为保修凭证,方可获得保修。如您不能提供有效的保修卡,则在我们确认产品或部件属于保修范围的情况下,也可以为您提供保修,但这不作为我们的义务。

不适用保修的情况

如产品存在下列情况,本文件项下的保证和服务将不适用 ①产品或部件超过相应保修期;②错误或不适当使用、维护或 保管导致的故障或损坏,如:不当搬运;非按产品合理预期用途使用;不当插拔外接设备;跌落或外力挤压;接触或暴露于不适当温度、溶剂、酸碱、水浸或潮湿环境;③由非神牛授权机构或人员安装、修理、更改、添加或拆卸造成的故障或损坏;④产品或部件原有识别信息被修改变更或删除;⑤无有效保修卡;⑥使用非法授权、非标准或非公开发行的软件造成的故障或损坏;⑦因不可抗力或意外事件造成的故障或损坏;⑧其他非因产品本身质量问题导致的故障或损坏。遇上述情况,您应向相关责任方寻求解决,神牛对此不承担任何责任。因非在保修期或保修范围内的部件、附件或软件导致产品不能正常使用的,不是保修范围内的故障。产品使用过程中正常的脱色,磨损和消耗,不是保修范围内的故障。

产品保修和服务支持信息

产品的保修期和服务类型按以下《产品保修信息》执行:

产品类别	选件名称	保修期(月)	保修服务类型
部件	电路板	12	客户送修
	电池	3	客户送修
	充电器、电源线,同步线等带电性能的部件。	12	客户送修
其他	如闪光灯管、造型灯泡、外壳、保护罩、锁紧装置、包装等。	无	无保修

神牛产品售后服务电话:0755-29609320-8062

Warranty

Dear customers, as this warranty card is an important certificate to apply for our maintenance service, please fill in the following form in coordination with the seller and safe-keep it. Thank you!

Product Information	Model	Product Code Number
Customer Information	Name	Contact Number
	Address	
Seller Information	Name	
	Contact Number	
	Address	
	Date of Sale	
Note:		

Note: This form shall be sealed by the seller.

Applicable Products

The document applies to the products listed on the Product Maintenance Information (see below for further information). Other products or accessories (e.g. promotional items, giveaways and additional accessories attached, etc.) are not included in this warranty scope.

Warranty Period

The warranty period of products and accessories is implemented according to the relevant Product Maintenance Information. The warranty period is calculated from the day(purchase date) when the product is bought for the first time, And the purchase date is considered as the date registered on the warranty card when buying the product.

How to Get the Maintenance Service

If maintenance service is needed, you can directly contact the product distributor or authorized service institutions. You can also contact the Godox after-sale service call and we will offer you service. When applying for maintenance service, you should provide valid warranty card. If you cannot provide valid warranty card, we may offer you maintenance service once confirmed that the product or accessory is involved in the maintenance scope, but that shall not be considered as our obligation.

Inapplicable Cases

The guarantee and service offered by this document are not applicable in the following cases: ①. The product or accessory has expired its warranty period; ②. Breakage or damage caused by inappropriate usage, maintenance or preservation, such as improper packing, improper usage, improper plugging in/out external equipment, falling off or squeezing by external force, contacting or exposing to the improper temperature, solvent, acid, base, flooding and damp environments, etc; ③. Breakage or damage caused by non-authorized institution or staff in the process of installation, maintenance, alternation, addition and detachment; ④. The original identifying information of product or accessory is modified, alternated, or removed; ⑤. No valid warranty card; ⑥. Breakage or damage caused by using illegally authorized, nonstandard or non-public released software; ⑦. Breakage or damage caused by force majeure or accident; ⑧. Breakage or damage that could not be attributed to the product itself. Once met these situations above, you should seek solutions from the related responsible parties and Godox assumes no responsibility. The damage caused by parts, accessories and software that beyond the warranty period or scope is not included in our maintenance scope. The normal discoloration, abrasion and consumption are not the breakage within the maintenance scope.

Maintenance and Service Support Information

The warranty period and service types of products are implemented according to the following

Product Maintenance Information:

Product Type	Name	Maintenance Period(month)	Warranty Service Type
Parts	Circuit Board	12	Customer sends the product to designated site
	Battery	3	
	Electrical parts e.g.battery charger, power cord, sync cable, etc.	12	
Other Items	Flash tube, modeling lamp, lamp body, lamp cover, locking device, package, etc.	NO	Without warranty

Godox After-sale Service Call **0755-29609320-8062**