

Modular Sofa

Congrats on your new modular sofa!

We hope that you are going to be happy with your new sofa for many years to come.

Assembly:

Please see the following assembly instructions or find them at www.moebe.dk

Taking care of your sofa:

Please note that the sofa is for domestic use only. The sofa is a piece of indoor furniture and should only be used as intended.

Wood

All wooden parts have been treated with oil and hard wax. This treatment helps protect the wood from absorbing liquids. However, please note that oil and wax do not provide a 100% sealing treatment, unlike, for instance, a lacquered finish. As a result, the wood needs to be treated with care. If you spill liquid on the surface, please ensure that you remove it immediately to avoid stains. The wooden parts of the sofa should be cleaned with a damp cloth, using a mild detergent if needed.

To refresh the wooden parts, you can apply a new layer of oil. Any clear furniture oil will work, but make sure to follow the specific instructions for the product you choose. If the surface becomes scratched or rough, you can sand it lightly with fine-grit sandpaper before applying oil. Always sand in the direction of the wood grain, and keep in mind that the seat plate and back plate are veneered, so sanding must be done gently.

Fabrics

Polyester Care Instructions:

To keep your polyester sofa in good condition, vacuum it weekly using a soft brush attachment to remove dust and dirt. For spills, blot the area immediately with a dry cloth, taking care not to rub the fabric. For tougher stains, use a mild soap solution, then blot with a damp cloth to remove any residue, and allow the area to air dry. Keep the sofa out of direct sunlight to prevent fading, and avoid using harsh chemicals or abrasive cleaners to protect the fabric.

Wool Care Instructions:

For wool sofas, vacuum regularly with a soft brush attachment to prevent dust and dirt from becoming embedded in the fabric. For stains, blot immediately with a dry cloth and gently dab with a solution of mild wool detergent. Avoid rubbing the fabric, and allow the spot to air dry. Keep the sofa away from direct sunlight and heat sources, and avoid soaking the fabric with water to prevent shrinkage.

If you feel that the fabric covers need a more thorough cleaning, you can remove them and wash them (please note that the fabrics are delicate and should be treated with care), or take them to your local dry cleaner in case you have a sofa with wool cover. If in doubt, please reach out to us and we will help you out.

5 Year Warranty

We believe in what we do and in the quality of our products. That's why we give you a 5 year warranty. This guarantee covers any functional, material or manufacturing defect on any product you buy from us for private use.

Safety and durability

The durability and safety of the sofa has been tested by the Danish Technological Institute according to the European standard for sofa EN 16139:2013 and has passed this test.

Spare parts – Keep it going forever

All our products are component based and have been designed this way to make repairs simple. You can find and purchase all spare parts for your product on www.moebe.dk for a period of at least 5 years after your purchase. It should always be cheaper and easier to repair, than buying new.

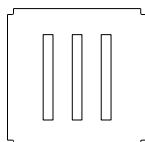
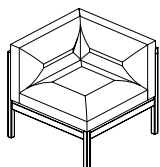
Recycling

Whilst we hope that your MOEBE sofa will serve you well for many years to come, if you do at some point wish to recycle it then it is easy to do so. Simply split the product down into its separate parts and recycle them by material.

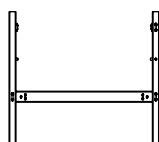
All parts can be recycled. How this is done depends on local regulations and facilities.

The seating plates and back plates are made of FSC MDF board with an oak veneer, please make sure to remove all metal fittings before recycling. The legs are made of solid oak and can be recycled as such - here also please remember to remove any metal fittings before doing so. Depending on your choice of fabric this will be either Wool or Polyester. The filling is an Oekotek certified PU foam with a 100% recycled polyester wadding.

Modular Sofa Corner



x1



x1



x2



x2



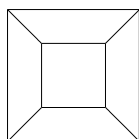
x24



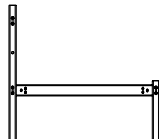
x4



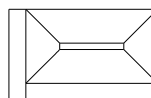
x4



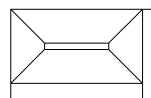
x1



x1

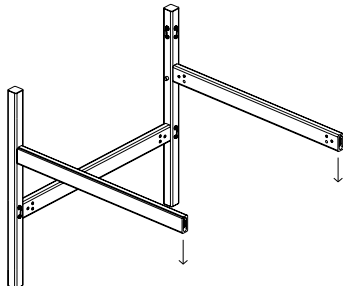


x1

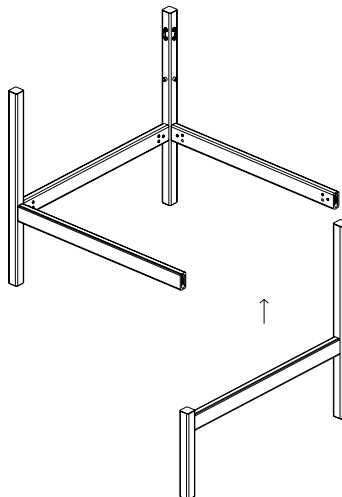


x1

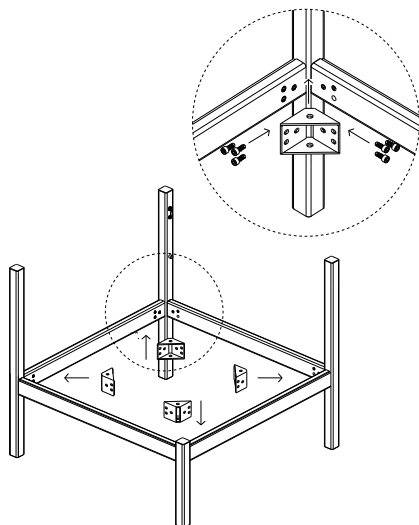
1



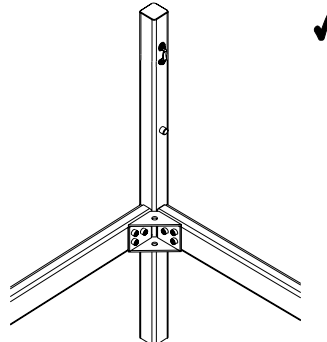
2

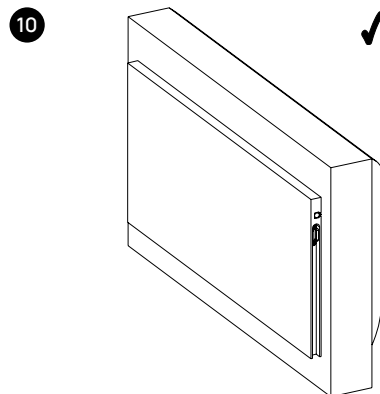
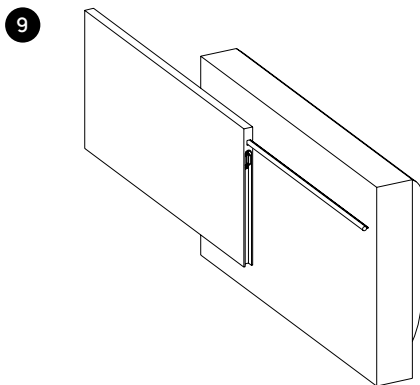
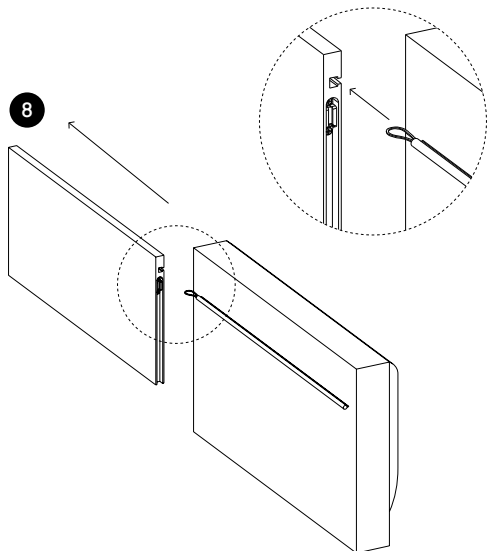
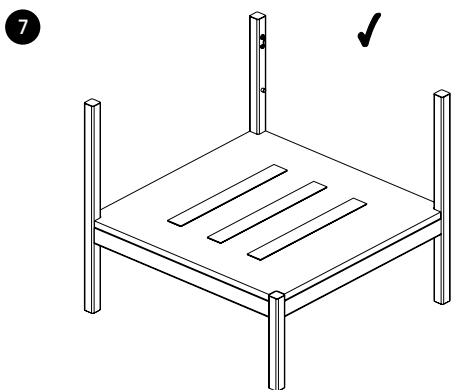
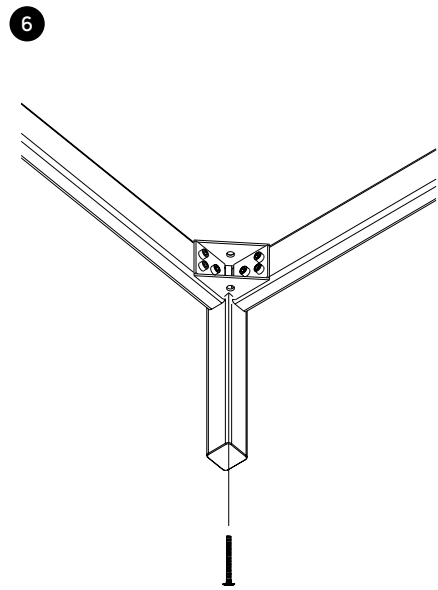
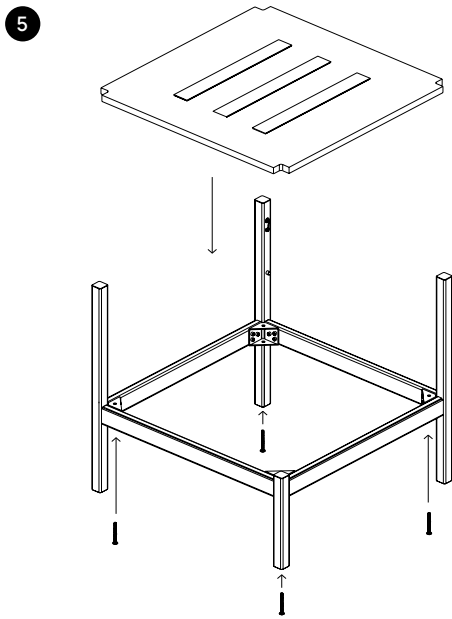


3

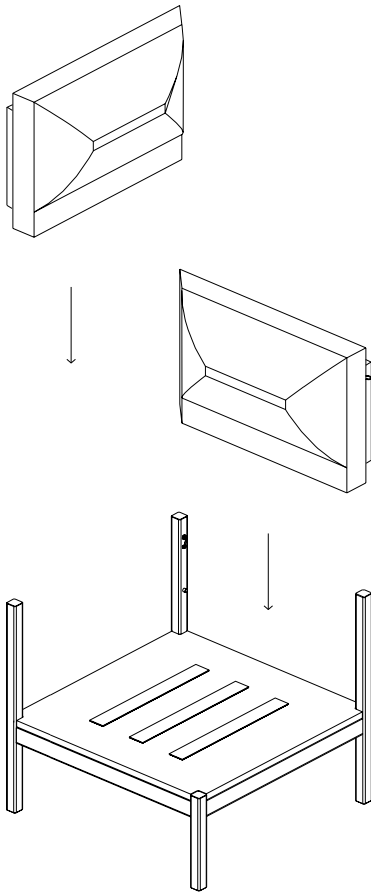


4

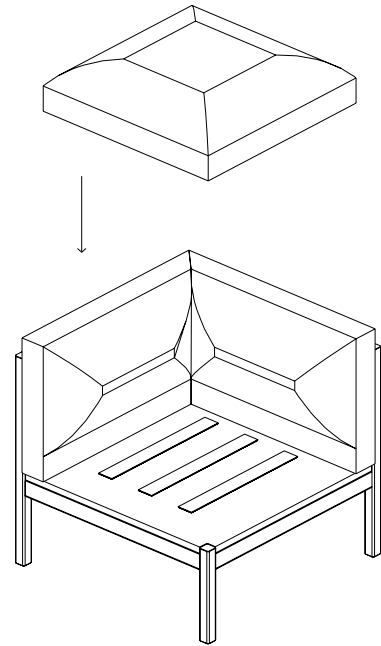




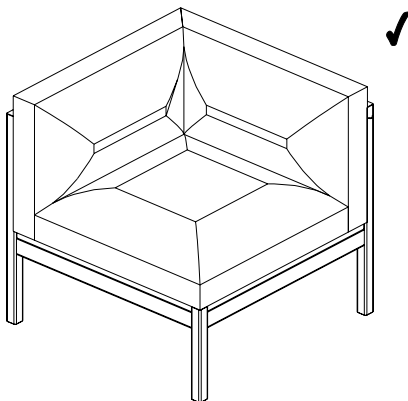
11



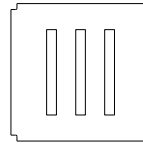
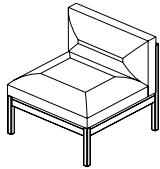
12



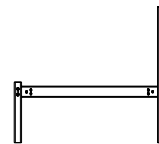
13



Modular Sofa Seat



x1



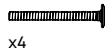
x1



x1



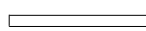
x24



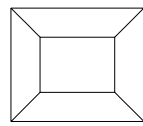
x4



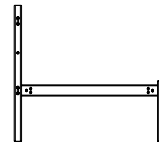
x4



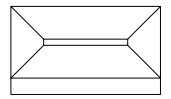
x2



x1

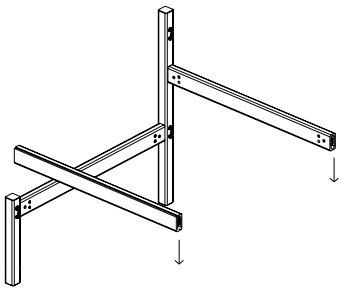


x1

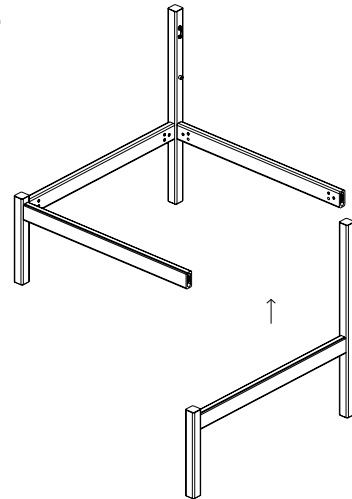


x1

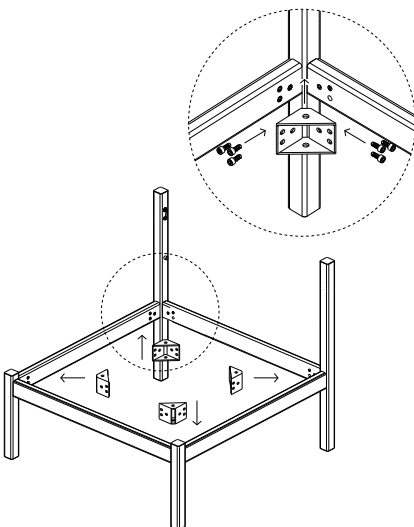
1



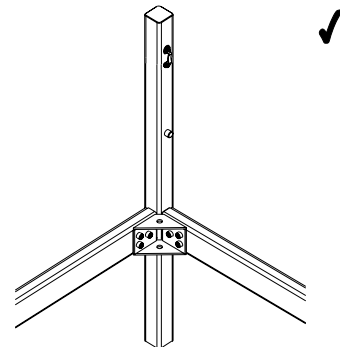
2

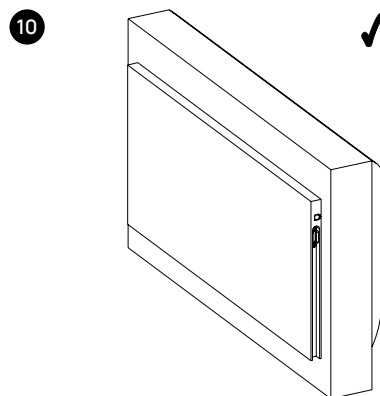
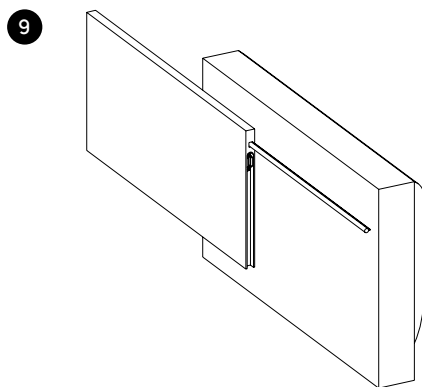
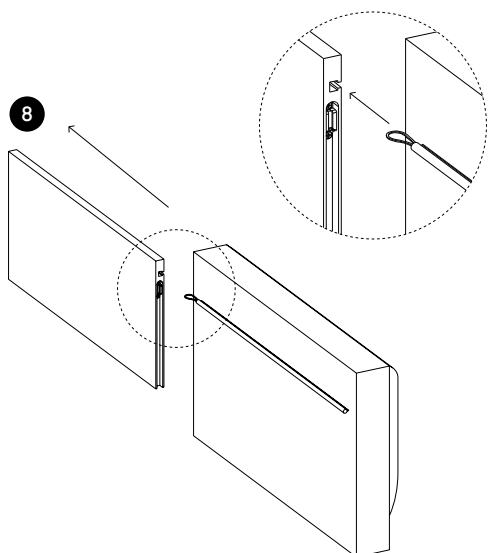
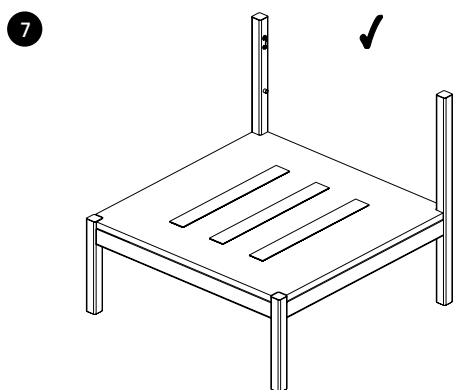
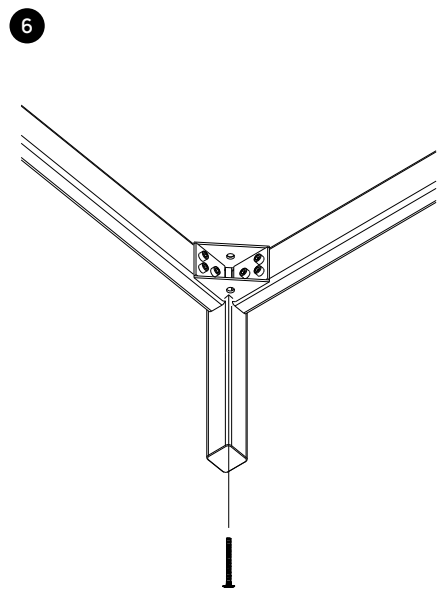
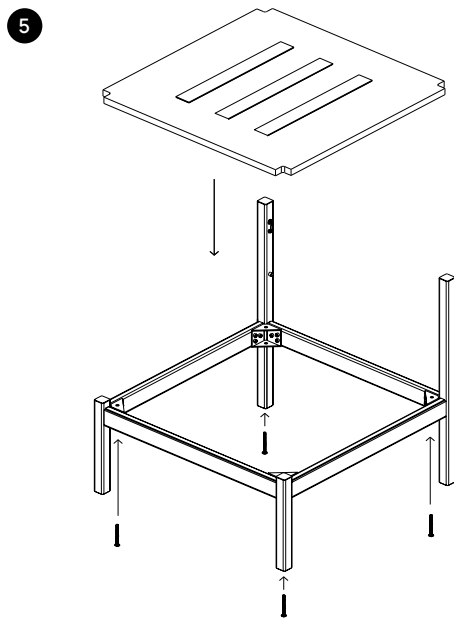


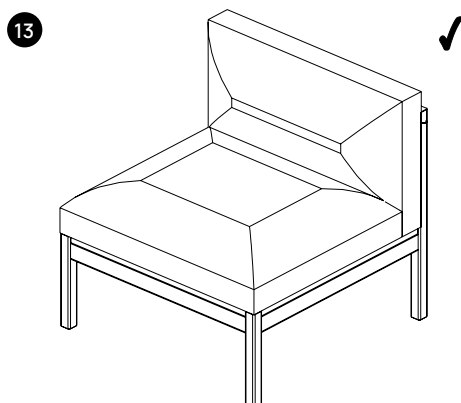
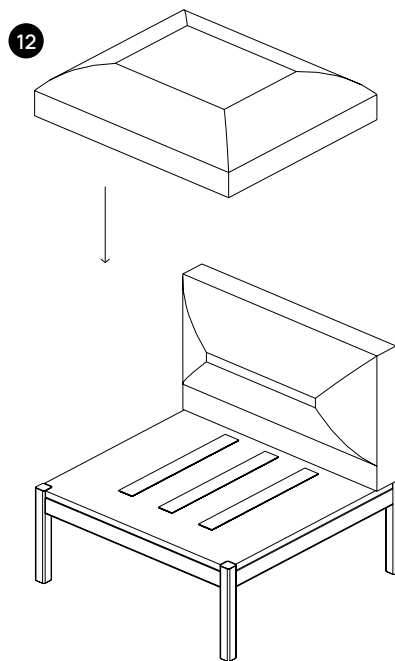
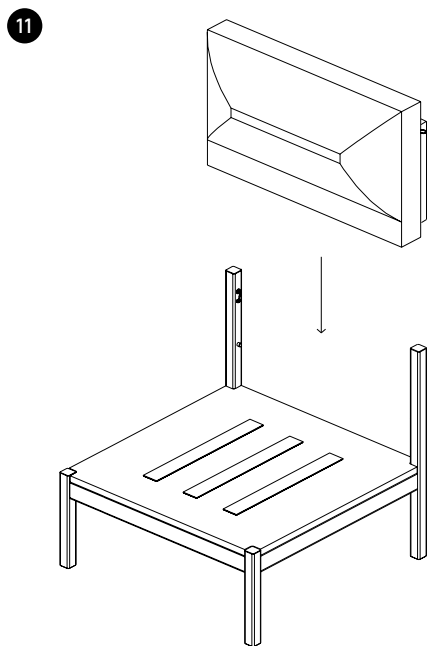
3



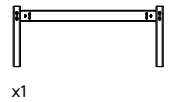
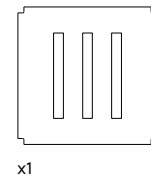
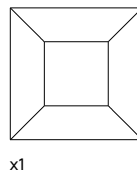
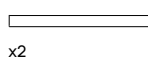
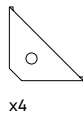
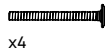
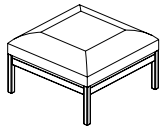
4



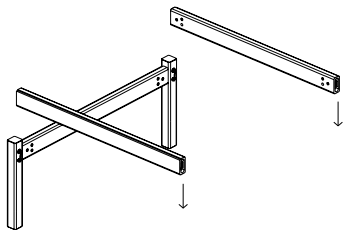




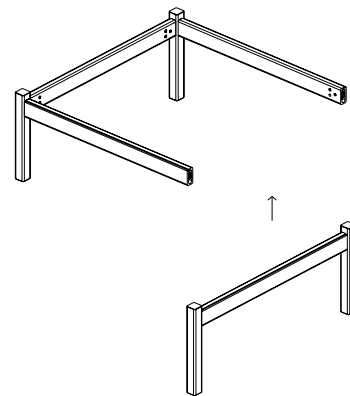
Modular Sofa Ottoman



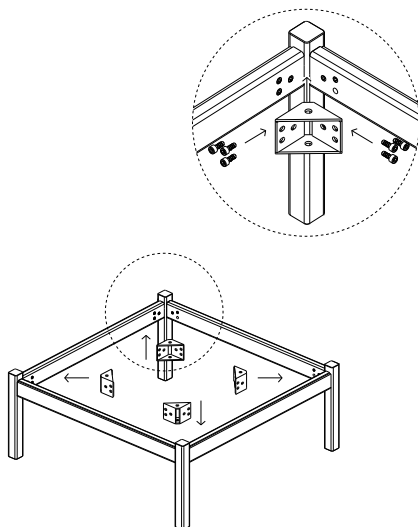
1



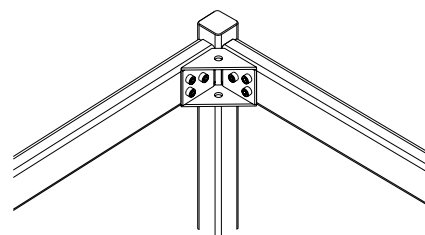
2

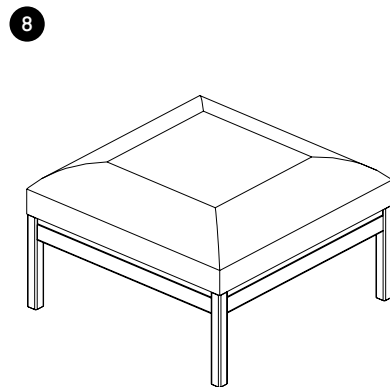
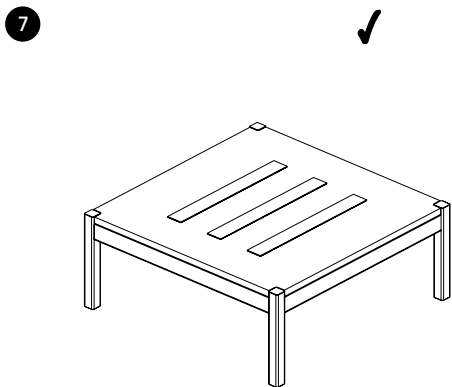
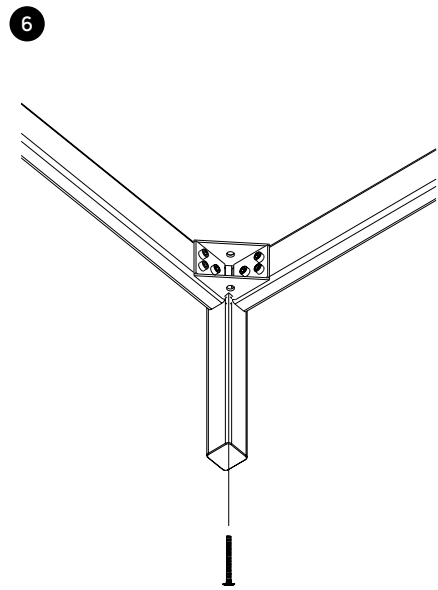
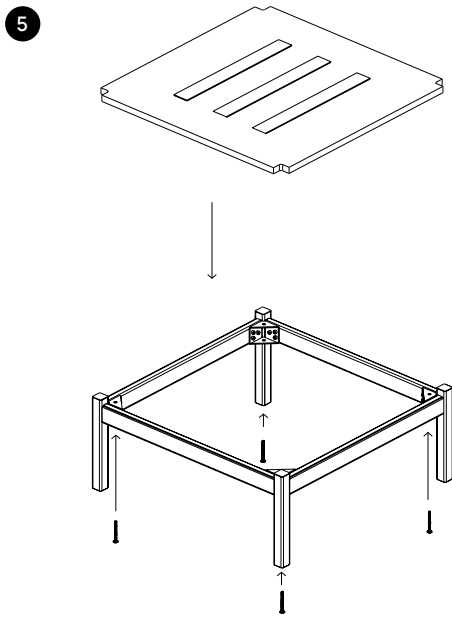


3

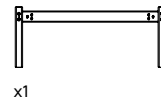
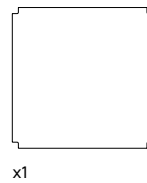
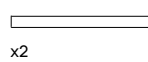
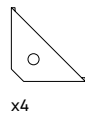
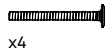
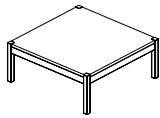


4

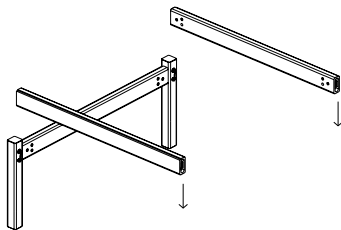




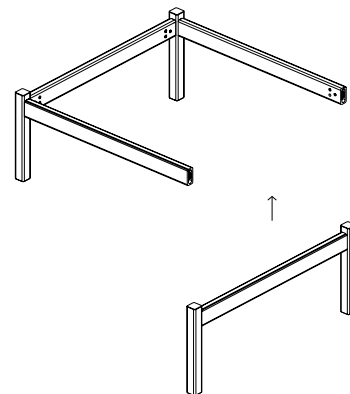
Modular Sofa Table



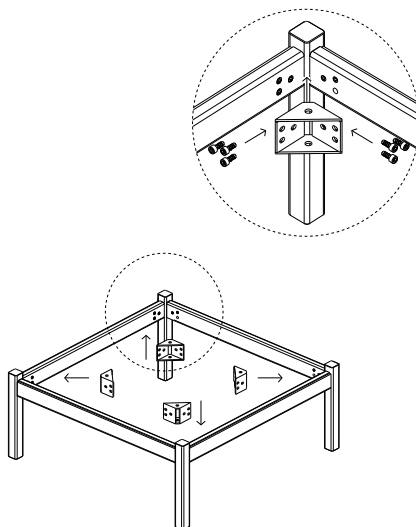
1



2



3



4

