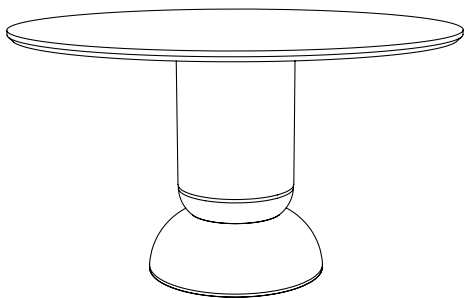


ASSEMBLY INSTRUCTION

Ludo



WOUD

When designing the Ludo table, the idea was to form a visually minimalist pillar table inspired by pure geometric shapes and balance.

Through experimentation with different combinations of shapes, we achieved a design that harmoniously balances convex and concave forms.

Referring to a classic Ludo piece.

A fluid, cursive handwritten signature in black ink, reading "Thor Steffensen". The signature features long, sweeping horizontal strokes at the beginning and end, with the name written in a connected, elegant script.A handwritten signature in black ink, reading "P. W. Møller". The signature is written in a cursive style with a prominent, rounded initial 'P' and a long, sweeping tail that extends to the right.

STEFFENSEN & WÜRTZ

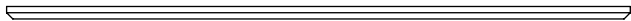
TAKE CARE

**WE HAVE NOW HANDED OVER
ONE OF OUR DARLINGS TO YOU.
NOW IT IS YOURS. TAKE GOOD
CARE OF IT. YOU CAN READ THE
CARE INSTRUCTIONS FOR ALL
OUR MATERIALS AT OUR WEBSITE.**

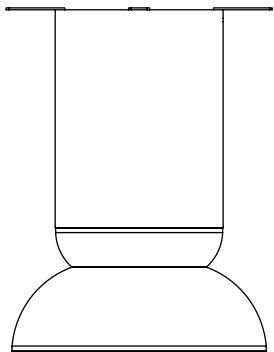
WOU.DK/TAKECARE

ASSEMBLY INSTRUCTION

**PLEASE GO THROUGH THE FOLLOWING
STEPS CAREFULLY. RETAIN THIS MANUAL
FOR FUTURE REFERENCE TO ENSURE THAT
YOUR NEW ITEM IS CORRECTLY ASSEMBLED
IN CASE IT SHOULD BE DISASSEMBLED OR
MOVED. WE ARE NOT RESPONSIBLE FOR
ANY FAULTS OR DAMAGES CAUSED BY
NOT FOLLOWING THESE INSTRUCTIONS
CORRECTLY.**



A x 1



B x 1

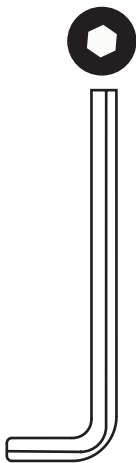


C x 16
(M6X20)

TOOLS NEEDED

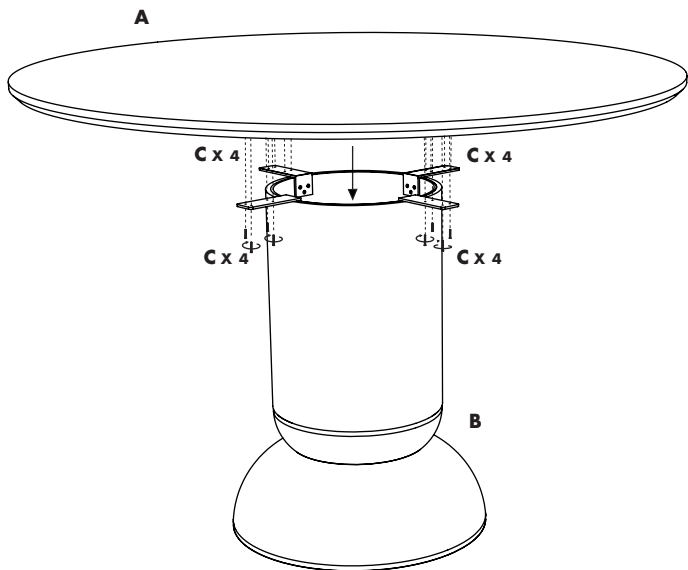
IMPORTANT!

USE TOOLS SUITABLE ALLEN KEY FOR SCREWS (M6X20).



STEP 1

PLACE THE TABLE TOP (A) ON THE BASE (B) AND SCREW (C)
THE TOP TO THE BASE.



STEP 2

**NOW YOU JUST NEED TO PLACE YOUR FAVORITE ITEMS
ON THE TABLE AND ENJOY.**

