

The following instructions outline the procedures for replacing a faulty or broken ION heel lift spring (3). There are two methods listed below, one for units with PLASTIC top caps (9), and one for units with METAL top caps.

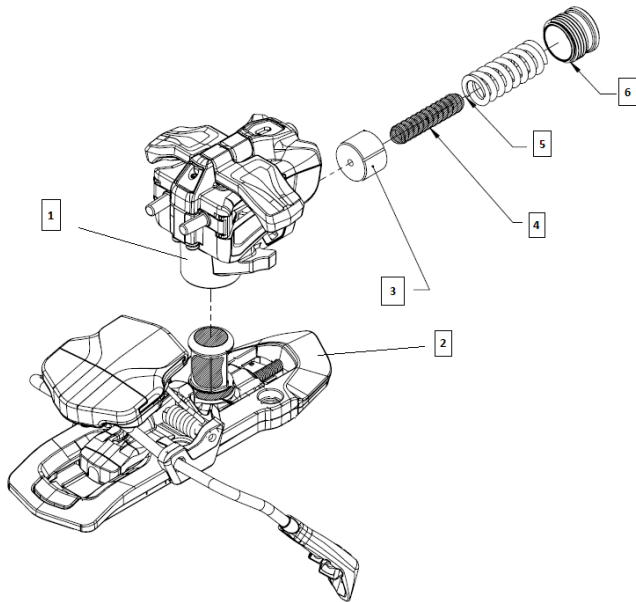


Figure 1 – ION Heel Assembly

Installation Procedure 1 - for units with PLASTIC top cap (9)

Note: This work should only be completed by an authorized G3 Dealer who has the proper tools, equipment, and training to safely maintain your binding. It's extremely important to keep the springs (4) and (5) together with the heel turret assembly they were removed from, since they are calibrated to that particular subassembly.

1. Remove Turret Body (1) from Base (2) by removing orange Mz screw (6) and spring internals (3), (4) & (5).
2. Removed Set Screw (11) located under G3 heel sticker using 1.5mm hex key.
3. Position Heel Lifts (7) into flat position
4. Remove heel lift Pivot Pin (10) by tapping the Turret against a hard surface until the Pivot Pin slides out enough to grab with some pliers.
5. Remove damaged Lift Spring (8) and clean surface to remove any debris.

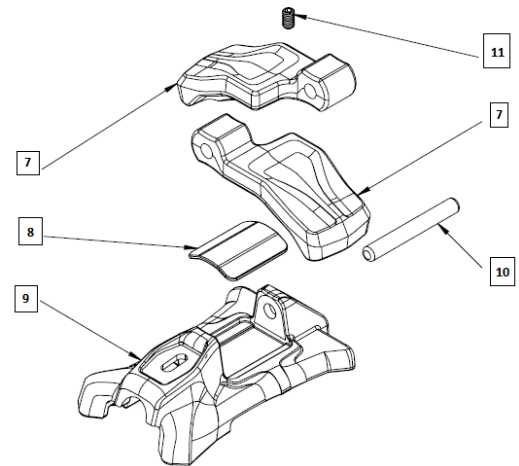


Figure 2 – ION top cap sub-assembly

TAP THE TURRET AGAINST A HARD SURFACE UNTIL THE PIVOT PIN SLIDES OUT

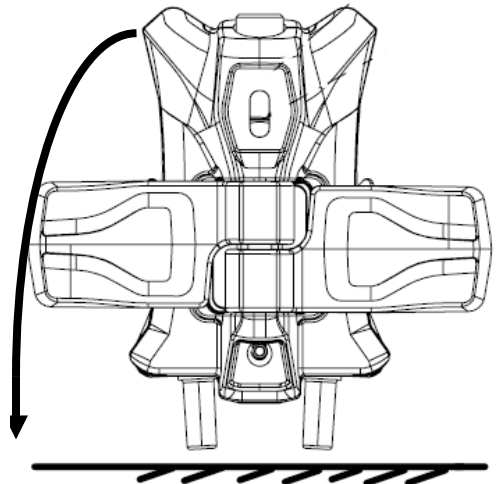


Figure 3 – Removing the Pivot Pin

6. Insert new heel spring and re-assemble unit
7. Check function by flipping heel lifts several times to each side. There should be no binding of lifts during operation.

Installation Procedure - 2 for units with METAL top cap (9)

1. Fashion a shim using 0.2mm thick shim stock as shown in Figure 4.
2. Remove damaged heel spring (8) and clean under lifts to remove any debris.
3. Insert shim under heel lifts (7) as shown in Figure 5.



Figure 4 – 0.2mm shim and heel turret.



Figure 5 – shim placed under heel lifts

4. Place new heel lift spring (8) onto shim and **push** under heel lifts (7). At the same time, use shim to **pull** heel lift spring into place. To aid insertion, try moving lifts to flat position while you push spring under.
5. The heel lift spring (8) will be seated properly when it produces a “snap!” sound.
6. Remove shim entirely from assembly, being careful not to remove the heel lift spring.

7. Check function by flipping heel lifts several times to each side. There should be no binding of lifts during operation.

Additional Information

Contact service@genuineguidegear.com or call customer service at 1.866.924.9048.

For the latest information and updates, refer to www.genuineguidegear.com.