



Be sure to write your model number and serial number here for future reference. You can find these numbers printed on the bottom of the table.

MODEL NO.: T8530F/W
DATE CODE : CPSIA#2-T8530F/W-_____SY
PURCHASE DATE : _____

OWNER'S MANUAL

1. **Read this manual carefully before starting assembly.** Read each step completely before beginning each step.
2. **Some smaller parts may be shipped inside larger parts. Check inside all parts and cartons before assembling or ordering parts.**
3. If hardware is tightened too soon, mounting holes may not align and parts may not easily fit together. Leave bolts slightly loose until you are instructed to tighten them.
4. **Tools required for assembly:** Wrenches or adjustable wrenches (not provided) are helpful.
5. To make assembly as easy as possible, place all parts of the table tennis in a cleared area and remove the packaging material. Organize all parts as per parts identifier in the assembly manual. Do not dispose of the packing material until assembly is completed.
6. Avoid scratching table tennis top and metal tube parts during the assembly process.
7. Assemble product on clean, level and flat surface.
8. **Take time to correctly orientate parts exactly as per each assembly diagram.**
9. **Save this instruction in the event that the manufacturer has to be contacted for replacement parts.**

NOTICE:

READ ASSEMBLY, OPERATING AND SAFETY INSTRUCTIONS CAREFULLY! AT LEAST TWO CAPABLE ADULTS ARE NEEDED TO PUT THIS TABLE TOGETHER!

Thank you for buying our product. We try hard to ensure that our products are of high quality and free of problems, such as Manufacturing defects or missing parts. However, if you have any problems with your new product, please **DO NOT RETURN IT TO THE STORE!**

Please Do Not Return This Product To The Store!

Contact Escalade® Sports customer service department at:

Phone: 1-800-467-1421 Toll-Free!
Fax: 1-866-873-3533 Toll-Free!
E-mail: tabletennis@escaladesports.com

Mailing Address
(correspondence only):
Escalade Sports
PO Box 889, Evansville, IN 47706

Physical Location:
Escalade Sports
817 Maxwell Ave.
Evansville, IN 47711

Please provide model number and/or part number of the product and/or part when you call or write. These numbers can be found on the product, packaging, and/or in this Owner's Manual.

Please visit our website at: www.escaladesports.com

ON-LINE TROUBLE SHOOTING

TECHNICAL ASSISTANCE

ON-LINE PARTS REQUESTS

FREQUENTLY ASKED QUESTIONS

ADDITIONAL ESCALADE® SPORTS PRODUCT INFORMANTION

ESCALADE®

S P O R T S

CARE AND MAINTENANCE

You have purchased a quality product that will give you years of enjoyment. By following these simple maintenance steps, you will add to the life of your new table.

THE TABLE TOP

The top (playing surface) of your table is made of Mid-Density Board. Like all products made of wood, it can be affected by atmospheric changes in both temperature and humidity. This may cause a slight sag or distortion as the top expands or contracts. This is normal and should not cause concern as it does not detract from the play or utility value of the table. After assembly of the table, you can minimize the effects of temperature and humidity changes by storing the table in a dry area when table is not in use.

STORAGE OF YOUR TABLE

This table must be stored indoors to prevent damage to the playing surface. Dampness and extreme temperature changes can cause the wood to warp, swell, crack or blister. When your table is not in use, it should be stored in a dry area. Due to the nature of particle board, table top may bow. Damp and humid conditions will amplify this. This is normal and will not affect playability of table.

CLEANING YOUR TABLE

To clean your table use a soft, damp (NOT WET) cloth only. To prevent damage to your table's playing surface, DO NOT USE ANY CHEMICALS, ABRASIVE OR CLEANING PRODUCTS on your table's playing surface.

MAINTENANCE OF YOUR TABLE

Be sure to oil all moving parts of your table including the pivot points. This will insure the safety and ease of use of your table.

This table must be kept indoors to prevent damage to the playing surface. Dampness and extreme temperature changes which occur on patios or similar areas can cause wood to warp, swell, crack or blister.

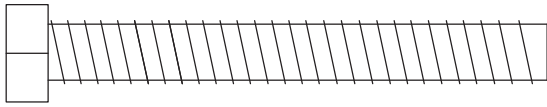
UNLEVEL FLOORS

If table does not seem level, it is probably due to uneven or unlevel floors. Set the table in its PLAYING POSITION and move table several inches in different directions to find the best location for the table. If the floor is extremely unlevel, table may not play or operate properly.

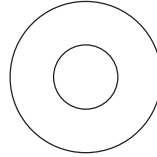
If table is high in the center, shim up under the outer legs.

The table has leg levelers - Adjust leg levelers as required.

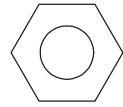
HARDWARE IDENTIFIER (To Scale)



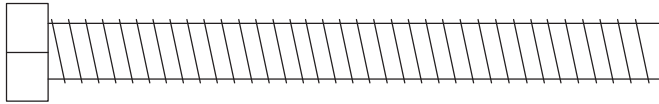
H1 - 8mm x 65mm
Hex Head Bolt
(4 pcs)



H2 - 8.5mm x 20mm
Flat Washer
(72 pcs)



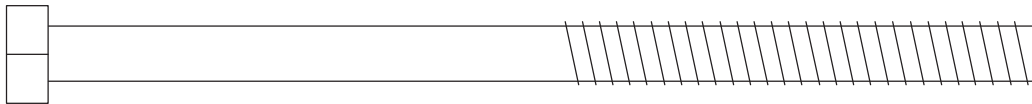
H3 - M8 Nylock Nut
(36 pcs)



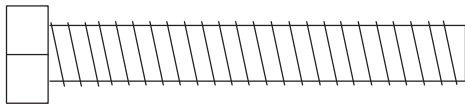
H4 - 8mm x 80mm
Hex Head Bolt
(8 pcs)



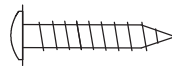
H5 - M8 Lock Washer
(36 pcs)



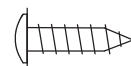
H6 - 8mm x 130mm
Hex Head Bolt
(8 pcs)



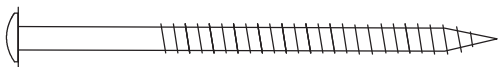
H7 - 8mm x 55mm
Hex Head Bolt
(16 pcs)



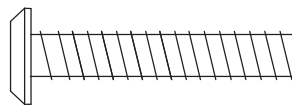
H8 - 3.5mm x 20mm
Phillips Round Head Screw
(16 pcs)



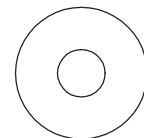
H9 - 3.5mm x 14mm
Phillips Round Head Screw
(16 pcs)



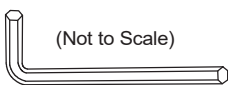
H10 - 4mm x 63mm
Phillips Round Head Screw
(28 pcs)



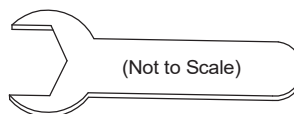
H11 - 6mm x 35mm
Allen Head Bolt
(12 pcs)



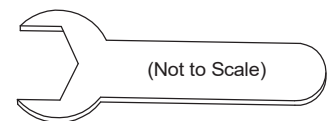
H12 - 6.5mm x 18mm
Flat Washer
(12 pcs)



T1 - Allen Wrench
(1 pc)

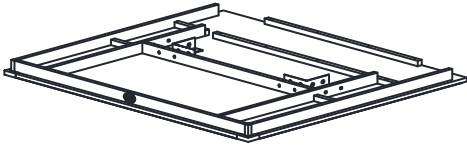


T2 - 13mm Wrench
(1 pc)



T3 - 14mm Wrench
(1 pc)

PARTS IDENTIFIER (Not to Scale)



P1 - Half Table Tennis
Top Assembled
(2 pcs)



P2 - Left Leg
Side Panel
(2 pcs)



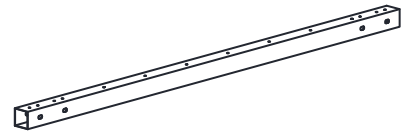
P3 - Right Leg
Side Panel
(2 pcs)



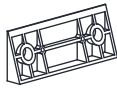
P4 - Left Leg
Front Panel
(2 pcs)



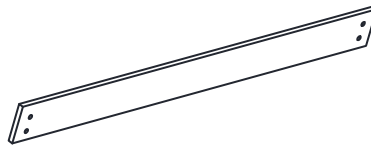
P5 - Right Leg
Front Panel
(2 pcs)



P6 - Cross Support Tube
(2 pcs)



P7 - Triangle Leg
Support Block
(8 pcs)



P8 - Long Side Leg
Support Panel
(2 pcs)



P9 - Short End Leg
Support Panel
(2 pcs)



P10 - Triangle Leg
End Cap
(4 pcs)



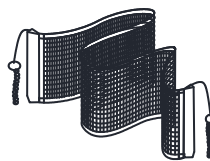
P11 - Leg Support
Bracket
(4 pcs)



P12 - Leg Leveler
(4 pcs)



P13 - Net Post
(2 pcs)



P14 - Net
(1 pc)

IMPORTANT NOTE: Place table half top with playing surface face down on a **CLEAN** flat surface for ease of correct assembly and to prevent any scratches or blemishes to the playing surface.

PARTS REQUIRED

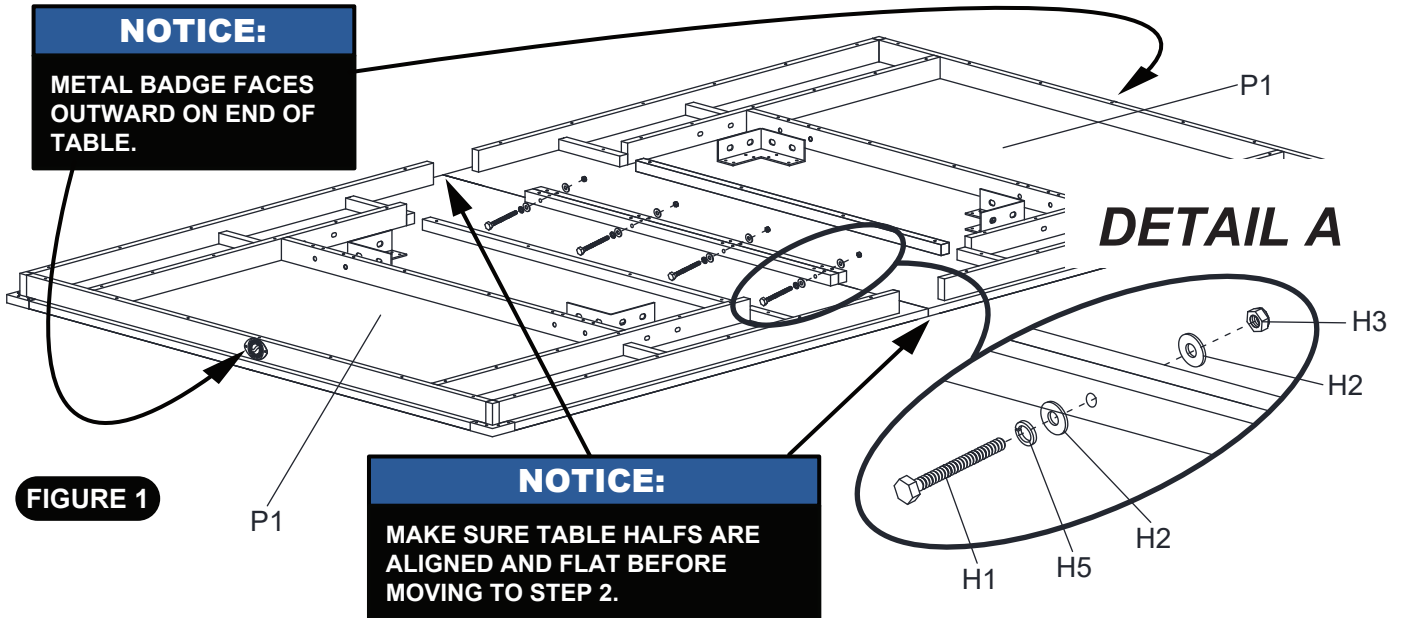
2 pcs - **P1** Half Table Tennis Top Assembled
 4 pcs - **H1** 8mm x 65mm Hex Head Bolt
 8 pcs - **H2** 8.5mm x 20mm Flat Washer

4 pcs - **H3** M8 Nylock Nut
 4 pcs - **H5** M8 Lock Washer

1 pc - **T2** 13mm Wrench
 1 pc - **T3** 14mm Wrench

STEP 1:

Attach both **P1** Half Table Tennis Top Assembled using **H1** Bolts, **H5** Lock Washers, **H2** Flat Washers and **H3** Nylock Nuts as shown in **FIGURE 1** and **DETAIL A**. **IMPORTANT NOTE!** Make sure table halves are aligned and flat before moving to **STEP 2**.



PARTS REQUIRED

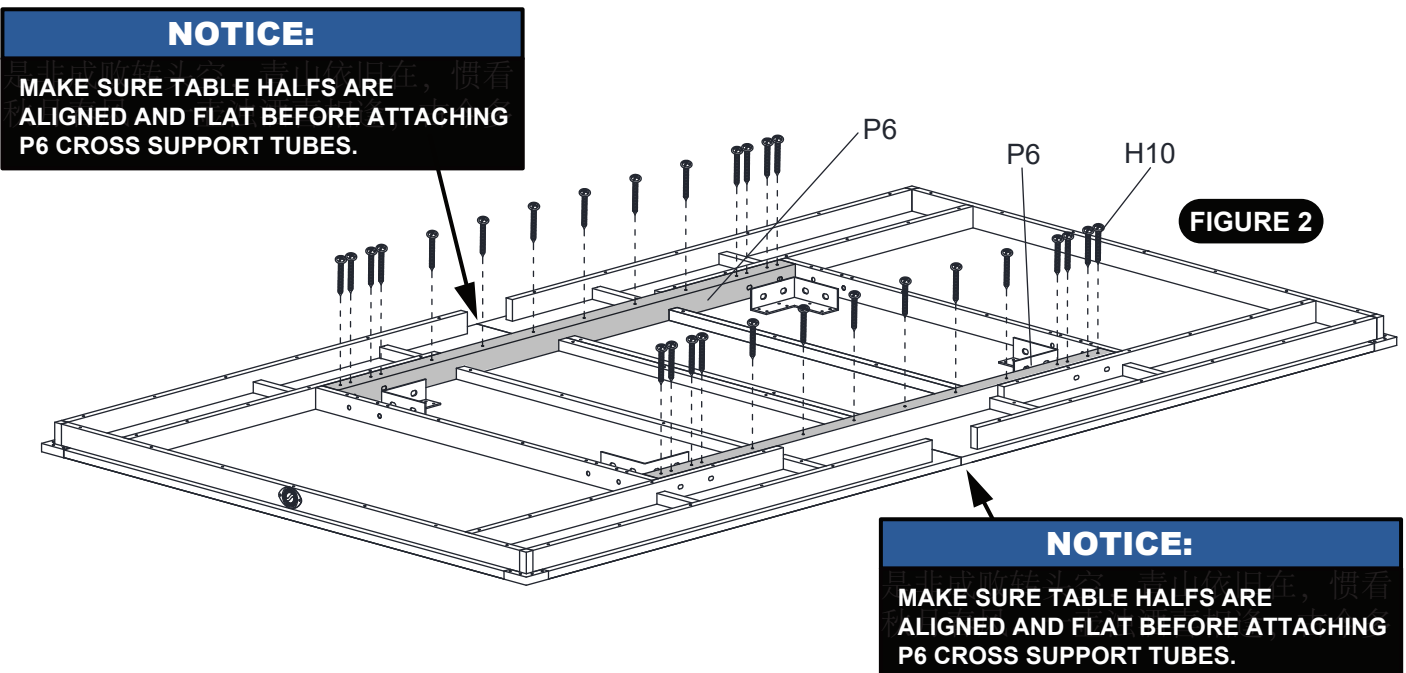
2 pcs - **P6** Cross Support Tube

28 pcs - **H10** 4mm x 63mm Phillips Round Head Screw

STEP 2:

Make sure table halves are aligned and flat before attaching **P6** Cross Support Tubes.

Attach two **P6** Cross Support Tube using **H10** Screws as shown in **FIGURE 2**. Do not strip out **H10** screws.



PARTS REQUIRED

2 pcs - P2 Left Leg Side Panel	12 pcs - H11 6mm x 35mm Allen Head Bolt	1 pc - T1 Allen Wrench
2 pcs - P3 Right Leg Side Panel	12 pcs - H12 6.5mm x 18mm Flat Washer	
2 pcs - P4 Left Leg Front Panel		
2 pcs - P5 Right Leg Front Panel		

STEP 3:

Attach **P2** Left Leg Side Panels to **P4** Left Leg Front Panels using **H11** Bolts and **H12** Flat Washers as shown in **FIGURE 3**. **Tighten H11 Bolts using T1 Wrench.**

Attach **P3** Right Leg Side Panels to **P5** Right Leg Front Panels using **H11** Bolts and **H12** Flat Washers as shown in **FIGURE 3**. **Tighten H11 Bolts using T1 Wrench.**

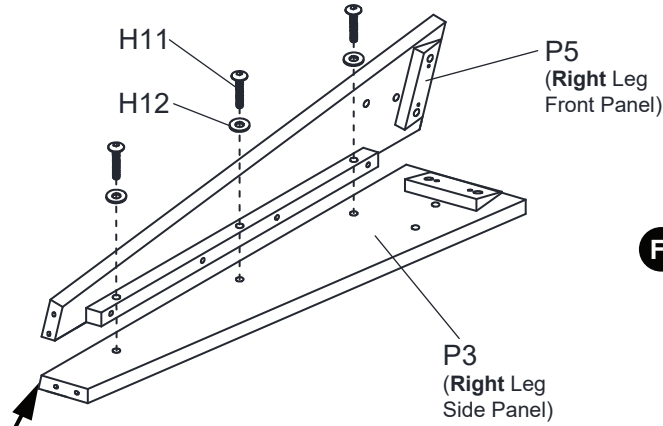
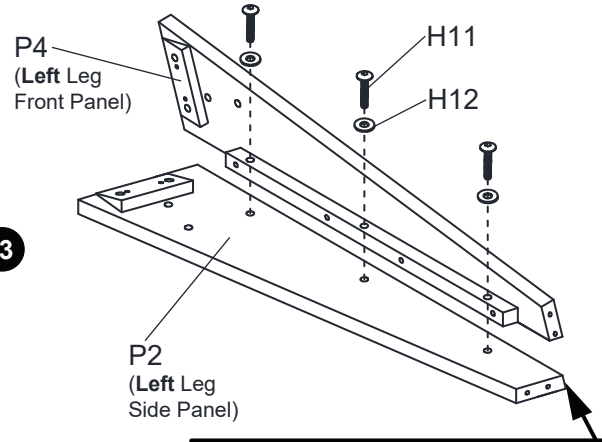


FIGURE 3



NOTICE:

MAKE SURE TWO LEG PANELS ARE ALIGNED AND FLAT BEFORE ATTACHING

NOTICE:

MAKE SURE TWO LEG PANELS ARE ALIGNED AND FLAT BEFORE ATTACHING

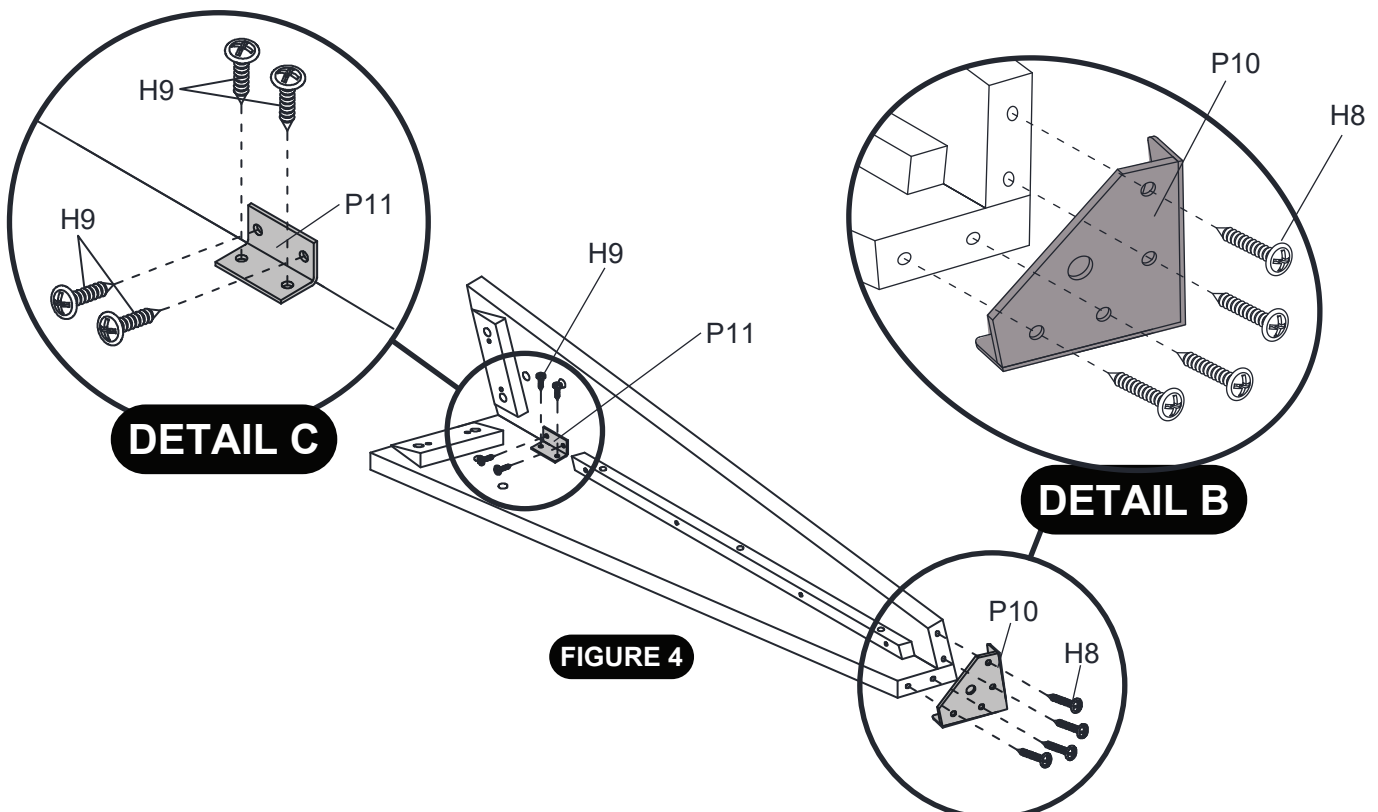
PARTS REQUIRED

4 pcs - P10 Triangle Leg End Cap	16 pcs - H8 3.5mm x 20mm Phillips Round Head Screw
4 pcs - P11 Leg Support Bracket	16 pcs - H9 3.5mm x 14mm Phillips Round Head Screw

STEP 4:

Attach **P10** Triangle Leg End Caps onto each Leg Assembly from **STEP 3** using pre-drilled holes with **H8** Screws as shown in **FIGURE 4** and **DETAIL B**. **DO NOT STRIP OUT H8 SCREWS.**

Attach **P11** Leg Support Brackets onto each Leg Assembly from **STEP 3** using pre-drilled holes with **H9** Screws as shown in **FIGURE 4** and **DETAIL C**. **DO NOT STRIP OUT H9 SCREWS.**



PARTS REQUIRED

8 pcs - P7 Triangle Leg Support Block	32 pcs - H2 8.5mm x 20mm Flat Washer	1 pc - T2 13mm Wrench
8 pcs - H4 8mm x 80mm Hex Head Bolt	16 pcs - H3 M8 Nylock Nut	1 pc - T3 14mm Wrench
8 pcs - H6 8mm x 130mm Hex Head Bolt	16 pcs - H5 M8 Lock Washer	

STEP 5:

Attach leg assembly from **STEP 4** onto the table tennis frame using **P7** Triangle Leg Support Blocks with **H4** Bolts, **H6** Bolts, **H5** Lock Washers, **H2** Flat Washers and **H3** Nylock Nuts as shown in **FIGURE 5**, **DETAIL D** and **DETAIL E**.

DO NOT TIGHTEN H4 & H6 BOLTS ON THIS TIME.

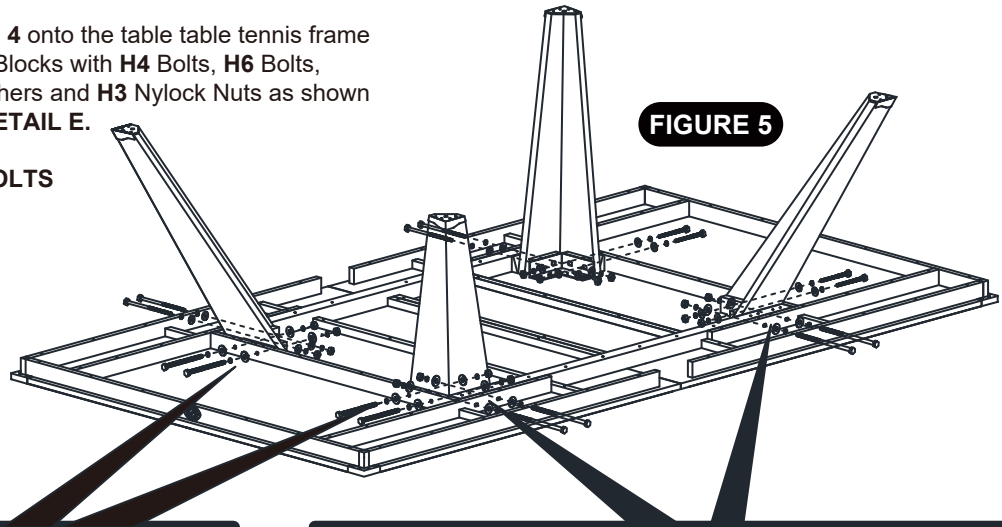
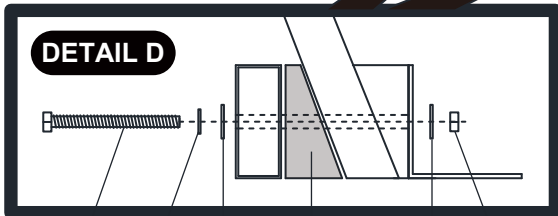
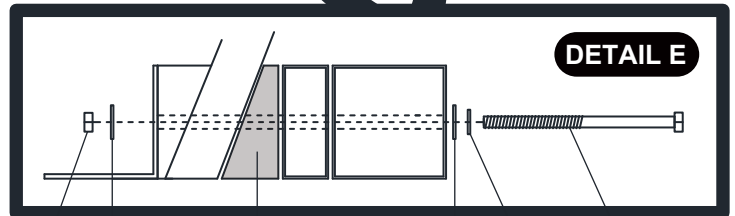


FIGURE 5



DETAIL D
H4 H5 H2 P7 (Triangle Leg Support Block) H2 H3



DETAIL E
H3 H2 P7 (Triangle Leg Support Block) H2 H5 H6

PARTS REQUIRED

2 pcs - P8 Long Side Leg Support Panel	32 pcs - H2 8.5mm x 20mm Flat Washer	1 pc - T2 13mm Wrench
2 pcs - P9 Short End Leg Support Panel	16 pcs - H3 M8 Nylock Nut	1 pc - T3 14mm Wrench
4 pcs - P12 Leg Leveler	16 pcs - H5 M8 Lock Washer	
	16 pcs - H7 8mm x 55mm Hex Head Bolt	

STEP 6:

Attach **P8** Long Side Leg Support Panels and **P9** Short End Leg Support Panels to Legs using **H7** Bolts, **H5** Lock Washers, **H2** Flat Washers and **H3** Nylock Nuts as shown in **FIGURE 6**, **DETAIL F** and **DETAIL G**. **TIGHTEN ALL H4 & H6 (FROM STEP 5) AND H7 BOLTS ON THIS TIME.**

Thread **P12** Leg Levelers on the Legs as shown in **FIGURE 6**.

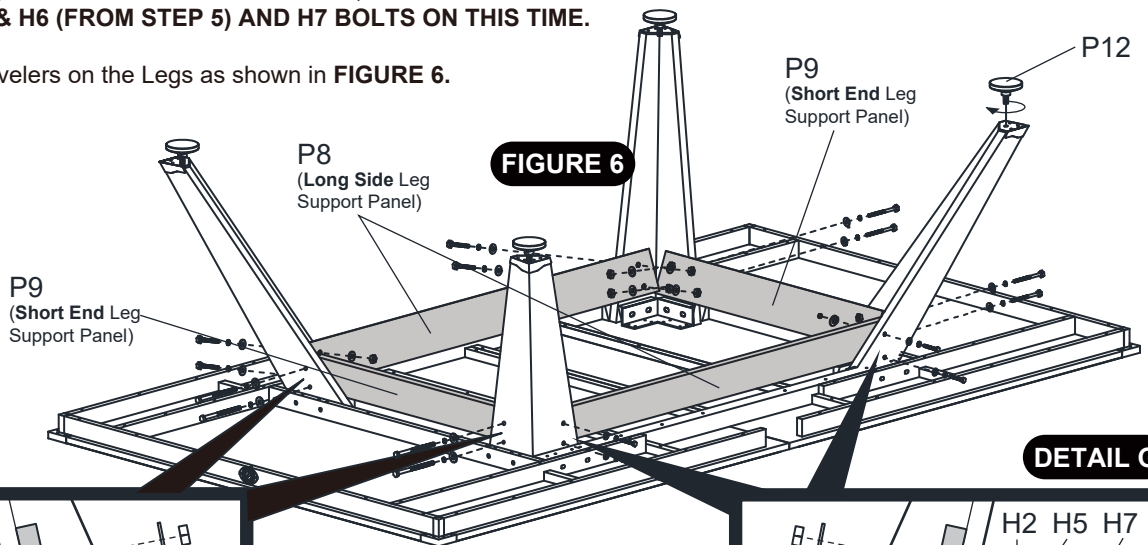
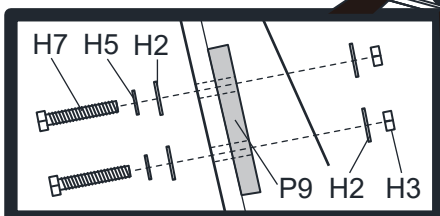
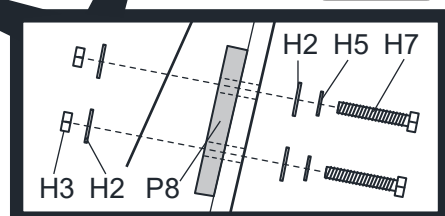


FIGURE 6

DETAIL F



DETAIL G



! CAUTION:

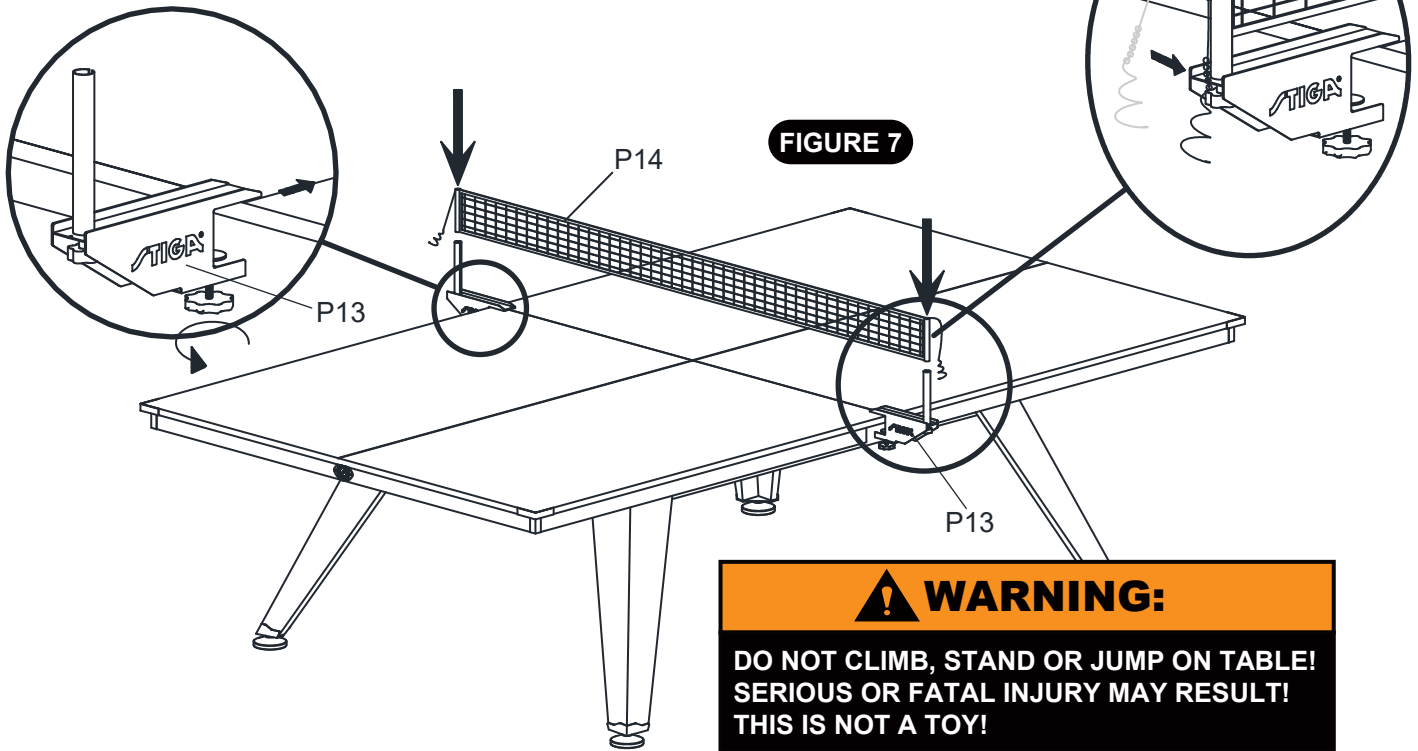
AT LEAST FOUR OR MORE ADULTS ARE NEEDED TO LIFT AND ROTATE THIS TABLE INTO PLAYING POSITION.

PARTS REQUIRED

2 pcs - P13 Net Post
1 pc - P14 Net

STEP 7:

Attach P13 Net Posts and P14 Net as shown in FIGURE 7.



T8530 TABLE TENNIS TABLE SPARE PARTS

Key#	Part	Description	Qty	Key#	Part	Description	Qty
H1	T8530SYH1	8 mm x 65 mm Hex Head Bolt	4	T1	T8530SYT1	Allen Wrench	1
H2	T8530SYH2	8.5 mm x 20 mm Flat Washer	72	T2	T8530SYT2	13 mm Wrench	1
H3	T8530SYH3	M8 Nylock Nut	36	T3	T8530SYT3	14 mm Wrench	1
H4	T8530SYH4	8 mm x 80 mm Hex Head Bolt	8	P1	T8530SYP1	Half Table Tennis Table Assembled	2
H5	T8530SYH5	M8 Lock Washer	36	P2	T8530SYP2	Left Leg Side Panel	2
H6	T8530SYH6	8 mm X 130 mm Hex Head Bolt	8	P3	T8530SYP3	Right Leg Side Panel	2
H7	T8530SYH7	8 mm x 55 mm Hex Head Bolt	16	P4	T8530SYP4	Left Leg Front Panel	2
H8	T8530SYH8	3.5 mm x 20 mm Phillips Round Head Screw	16	P5	T8530SYP5	Right Leg Front Panel	2
H9	T8530SYH9	3.5 mm x 14 mm Phillips Round Head Screw	16	P6	T8530SYP6	Cross Support Tube	2
H10	T8530SYH10	4 mm x 63 mm Phillips Round Head Screw	28	P7	T8530SYP7	Triangle Leg Support Block	8
H11	T8530SYH11	6 mm x 35 mm Allen Head Bolt	12	P8	T8530SYP8	Long Side Leg Support Panel	2
H12	T8530SYH12	6.5 mm x 18 mm Flat Washer	12	P9	T8530SYP9	Short End Leg Support Panel	2
				P10	T8530SYP10	Triangle Leg End Cap	4
				P11	T8530SYP11	Leg Support Bracket	4
				P12	T8530SYP12	Leg Leveler	4
				P13	T8530SYP13	Net Post	2
				P14	T8530SYP14	Net	1
				K1	T8530SYK1	Hardware Kit	1
				M1	T8530SYM1	Owner's Manual	1

90 DAY LIMITED WARRANTY

This consumer warranty extends to the original consumer purchase of any ESCALADE® SPORTS Product (hereinafter referred as the "Product").

WARRANTY DURATION: This Product is warranted to the original consumer purchase of a period of ninety (90) days from the original purchase.

WARRANTY COVERAGE: ESCALADE® SPORTS warrants to the original Consumer Purchaser that any Product of its manufacture is free from defects in material and workmanship when used for the intended purpose under normal use and conditions. THIS WARRANTY IS VOID IF THE PRODUCT HAS BEEN DAMAGED BY ACCIDENT, UNREASONABLE USE, NEGLIGENCE, IMPROPER SERVICE, FAILURE TO FOLLOW INSTRUCTIONS PROVIDED WITH THE PRODUCT OR OTHER CAUSES NOT ARISING OUT OF DEFECTS IN MATERIAL AND WORKMANSHIP.

WARRANTY PERFORMANCE: During the above ninety (90) day warranty period, ESCALADE® SPORTS shall repair or replace with a comparable model, and Product, or component thereof, which may prove defective under normal use and proper care, and which our examination shall disclose to our satisfaction to be thus defective, please contact our Warranty Dept.

1-800-467-1421 / Warranty Dept.

Or Write us at:

Escalade® Sports, Inc. - P.O. Box 889, Evansville, IN 47706 - Attn: Warranty Dept.

Or E-mail us at:

customerservice@escaladesports.com

Other than shipping requirements no charge will be made for such repair or replacement of in-warranty Products. ESCALADE® SPORTS strongly recommends that the Product is insured for value prior to mailing.

WARRANTY DISCLAIMERS: ANY IMPLIED WARRANTIES ARISING OUT OF THIS SALE, INCLUDING BUT NOT LIMITED TO THE IMPLIED WARRANTIES OF MERCHANTABILITY AND FITNESS FOR A PARTICULAR PURPOSE, ARE LIMITED IN DURATION TO THE ABOVE NINETY (90) DAY WARRANTY PERIOD. ESCALADE® SPORTS SHALL NOT BE LIABLE FOR LOSS OF USE OF THE PRODUCT OR OTHER CONSEQUENTIAL OR INCIDENTAL COSTS, EXPENSES OR DAMAGES INCURRED BY THE CONSUMER OF ANY OTHER USE.

Some states do not allow the exclusion or limitation of implied warranties or consequential or incidental damages, so the above limitations or exclusions may not apply to you.

LEGAL REMEDIES: This warranty give you specific legal rights and you may also have other rights which may vary from state to state.

NOT COVERED BY THIS WARRANTY:

- Product not intended to be in places of public assembly, such as, but not limited to, schools, parks, public or private recreational facilities.
- Any product subjected to Non-residential abuse, negligence, improper installatin, vandalism, acts of God, alteration of product, or any other events beyond the control of ESCALADE SPORTS.