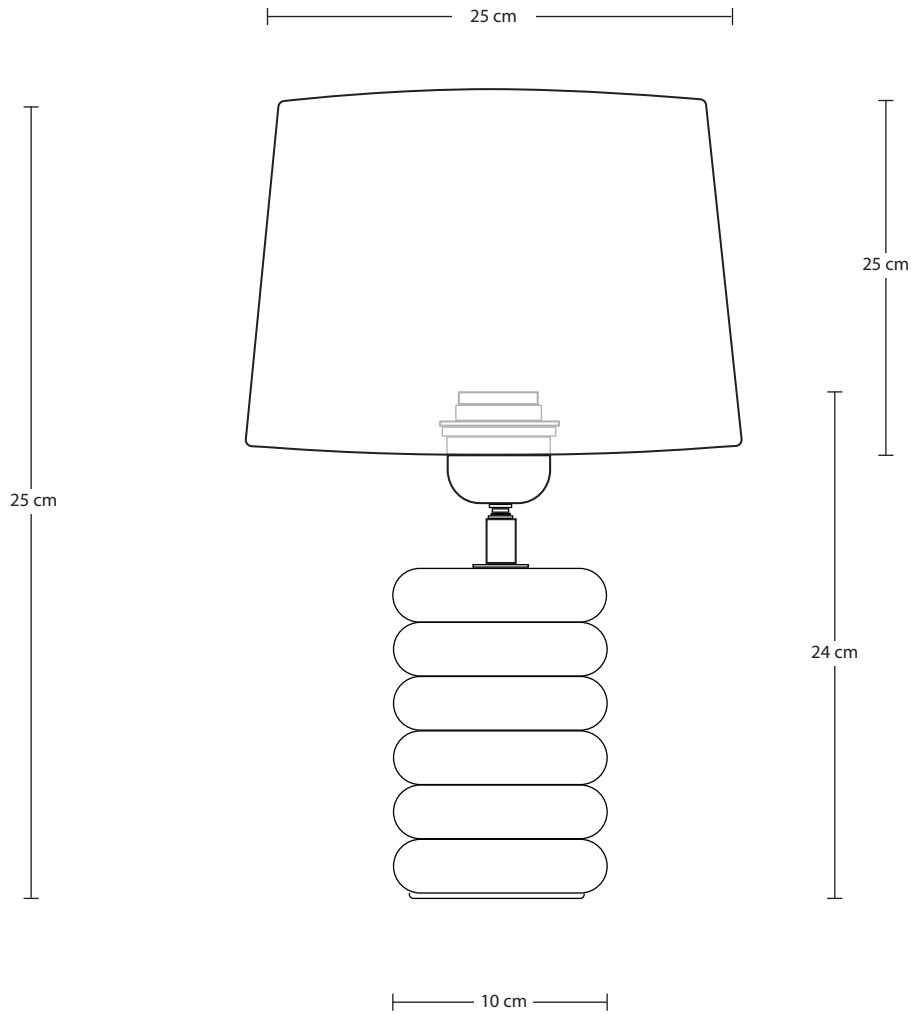


ALABASTER



## Alabaster Dual Lit Table Lamp

### SPECIFICATIONS

We meet all UK and EU lighting and safety regulations.

Our products are hand finished to ensure an authentic vintage look and therefore they may vary slightly from those shown in the images.

Bulb Required: Standard screw (E27) fitting, max 40W.

WEIGHT: 1.8 kg

### INFORMATION

PRODUCT CODE: AL-DUTL-EM-M-NC

FINISHES: White.

SHADE FINISHES: Light Natural.

SHADE: Medium Empire.

FLEX: 2m Beige Twisted Fabric Flex.

### DIMENSIONS

H: 33 cm x W: 25 cm x D: 25 cm

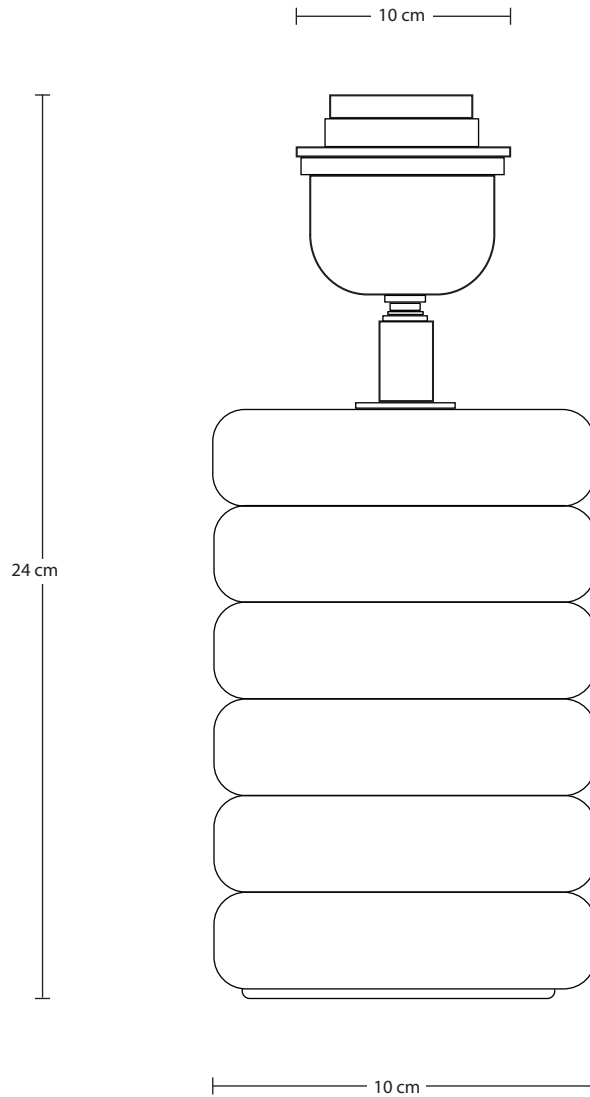
SHADE DIAMETER: 25 cm / 9.8"

SHADE HEIGHT: 15 cm / 5.9"

HOLDER WIDTH: 7.5 cm / 2.9"

BASE DIAMETER: 10 cm / 3.9"

BASE HEIGHT: 24 cm / 9.4"



## Alabaster Dual Lit Table Lamp - Base Only

### SPECIFICATIONS

We meet all UK and EU lighting and safety regulations.

Our products are hand finished to ensure an authentic vintage look and therefore they may vary slightly from those shown in the images.

Bulb Required: Standard screw (E27) fitting, max 40W.

WEIGHT: 1.6 kg

### INFORMATION

PRODUCT CODE: AL-DUTL-W-BO

FINISHES: White.

FLEX: 2m Beige Twisted Fabric Flex.

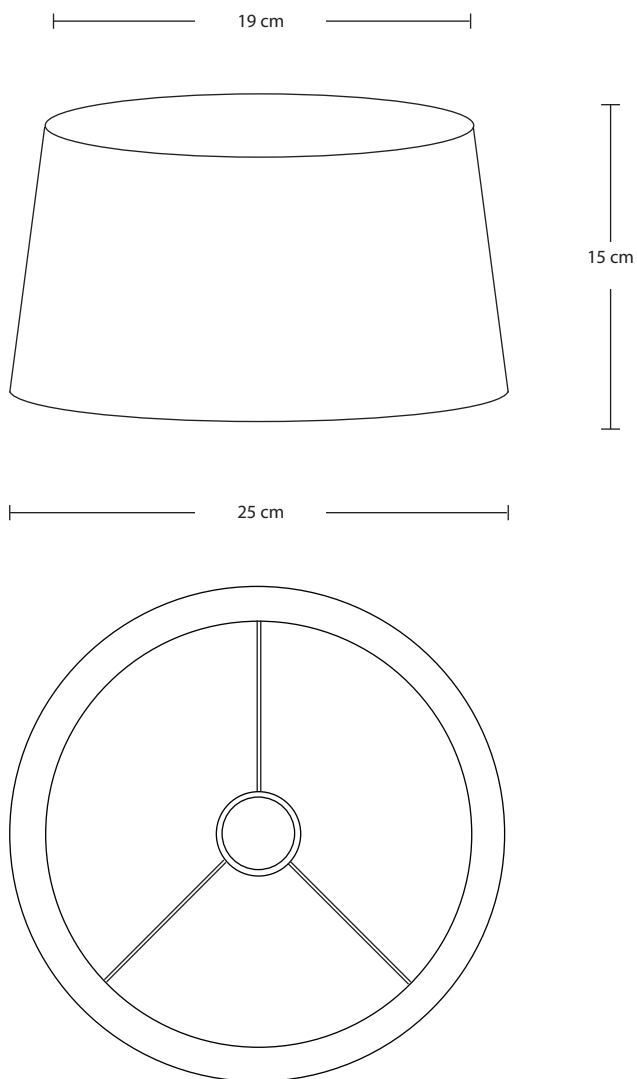
### DIMENSIONS

H: 24 cm x W: 10 cm x D: 10 cm

BASE HEIGHT: 24 cm / 9.4"

BASE WIDTH: 10 cm / 3.9"

HOLDER WIDTH: 7.5 cm / 2.95"



## Light Natural Cotton Empire - Medium

### SPECIFICATIONS

We meet all UK and EU lighting and safety regulations.

Our products are hand finished to ensure an authentic vintage look and therefore they may vary slightly from those shown in the images.

Bulb Required: Standard screw (E27) fitting, max 40W.

WEIGHT: 0.2 kg

### INFORMATION

PRODUCT CODE: EM-M-NC-LSO

FINISHES: Natural.

LAMP SHADE SHAPE: Empire.

LAMP SHADE SIZE: Medium.

LAMP SHADE FABRIC: Cotton.

### DIMENSIONS

H: 15 cm x W: 19 cm x D: 25 cm

SHADE DIAMETER: 25 cm / 9.8"

SHADE HEIGHT: 15 cm / 5.9"