

PL50MWH

White Metal Multiflat Dispenser



Product Features:

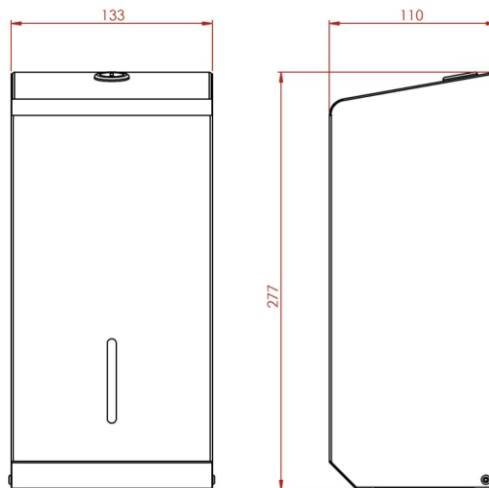
- Dispenses Multiflat/Bulkpack paper
- White powder coat epoxy finish
- Key Lockable

Manufactured in the UK

A Multiflat tissue dispenser that is ideal for compact washroom area's. It's designed to hold decent volumes of Multi-flat/ Bulk pack tissue paper.

The unit is key lockable and has a viewing window to ensure paper is always replaced when required. Made in a white powder coat epoxy finish.

Product Dimensions:



Height: 277mm Width: 133mm Depth: 110mm Weight: 1.3Kg Capacity: Approx x600 Sheets