

12" LARGE JUMBO DISPENSER

CODE: PLJ41ONX

 **ONYX**



- CONSTRUCTED IN FROM MILD STEEL WITH AN EPOXY GLOSS BLACK PAINTED FINISH.
- FITTED WITH A QUALITY LOCK WITH KEY OPERATION.
- AVAILABLE IN FIVE DIFFERENT FINISHES.
- HOLDS X1 12" MINI JUMBO ROLL AT EITHER 2¼" OR 3" CORE
- CONVENIENT LEVEL INDICATOR ON THE FRONT FACE OF THE UNIT.
- PERFECT UNIT FOR ANY WASHROOM ENVIRONMENT.
- PRODUCT BRANDING AVAILABLE FOR ADDED PERSONALISATION.
- DESIGNED & HAND BUILT IN THE UK.

AVAILABLE IN MULTIPLE FINISHES



 SYNERGISE

BRUSHED S/S

CODE:
PLJ41MBS



 SYNERGISE

POLISHED S/S

CODE:
PLJ41MPS



 GRAPHITE

GRAPHITE GREY

CODE:
PLJ41MGY

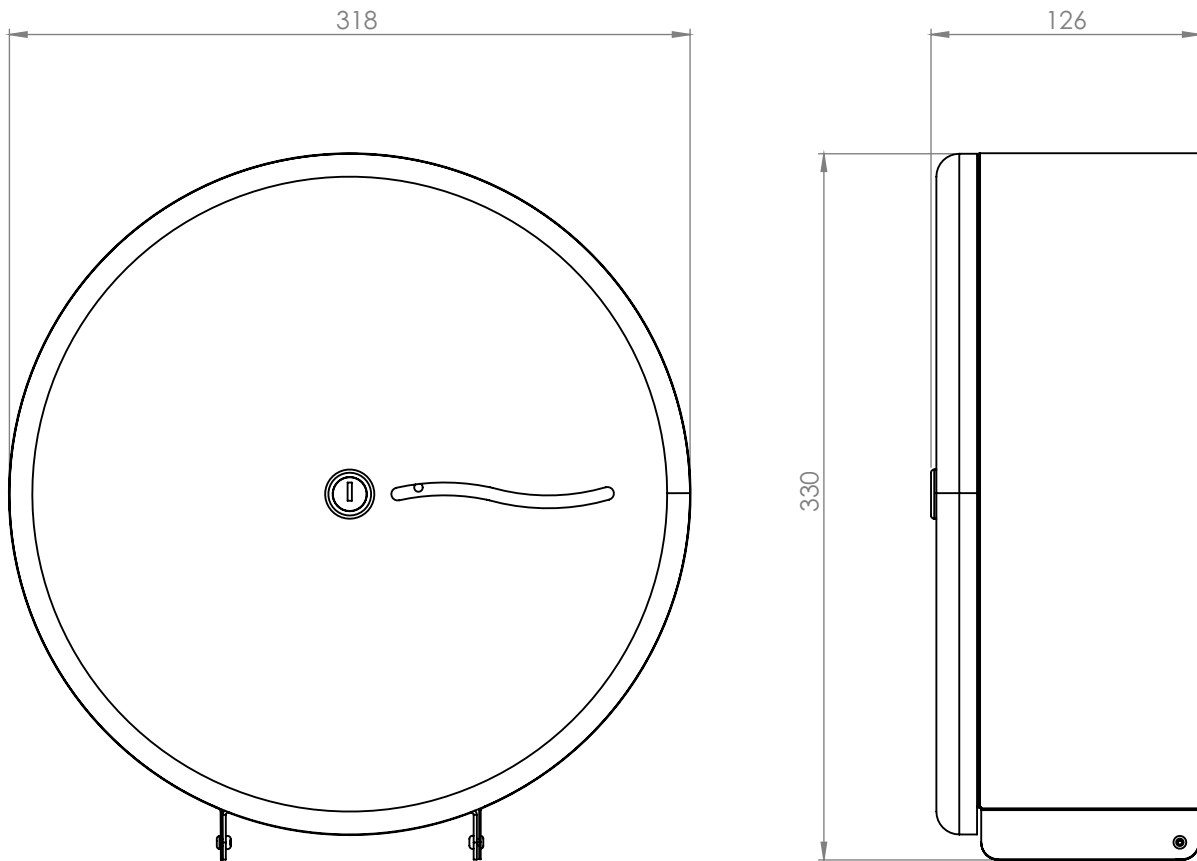


 ENDURANCE

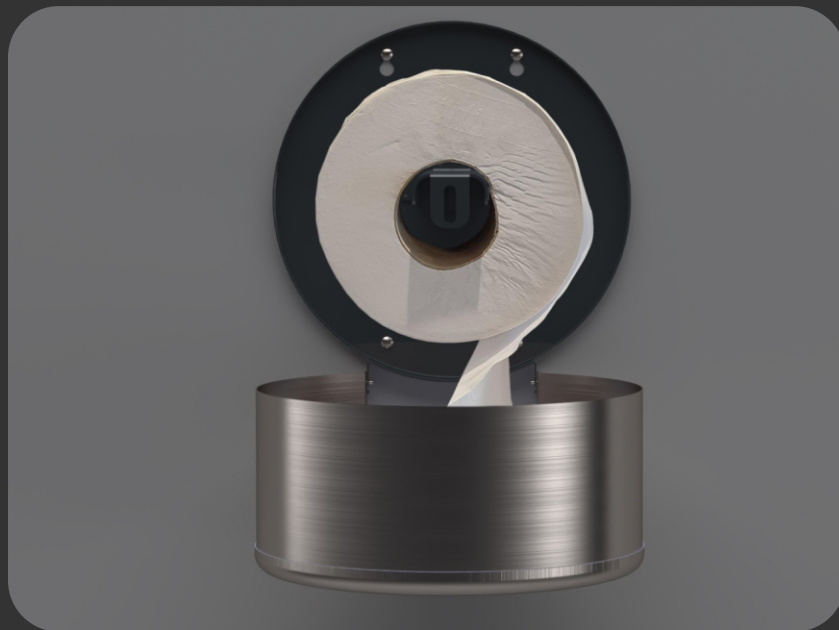
WHITE METAL

CODE:
PLJ41MWH

DIMENSIONS IN MM:-



OPEN VIEW OF DISPENSER:-



THE SYMBOL OF A GENUINE DISPENSER