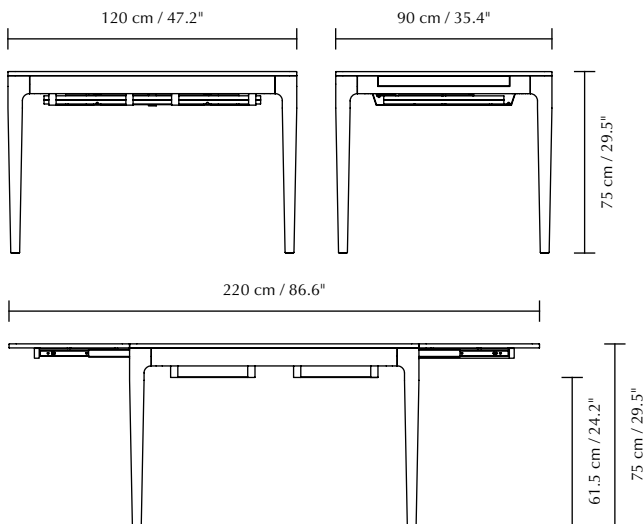


HEART'N'SOUL | DINING TABLE 120

Designed by Søren Ravn Christensen



DIMENSIONS (H x W x D)

75 x 120 x 90 cm / 29.5 x 47.2 x 35.4" (nonextended)
75 x 220 x 90 cm / 29.5 x 86.6 x 35.4" (extended)



MARKINGS, TESTS & CERTIFICATIONS

EN 15372 Furniture – Tables (Level 2)
ANSI/BIFMA X5.5 – Desk and Table Products



MATERIAL

Solid oak, MDF, steel (and FENIX® nanolaminate)



CONSTRUCTION

Frame: MDF. Reinforced with glue and screws. Clear top coat wood finish. **Legs:** Solid oak. Legs attached with insert bushings with bolts. **Plate:** Oak veneered / FENIX® nanolaminate MDF.



WEIGHT

53 kg / 116.8 lb



WEIGHT INCL. PACKAGING

68 kg / 149.9 lb



PACKAGING DIMENSIONS (L x W x H)

128.5 x 98.5 x 26.5 cm / 50.6 x 38.8 x 10.4"



ASSEMBLY TIME

30 min



MEDIA KIT

Photos and press material
Download at umage.presscloud.com



ORDERING INFORMATION

Dining table 120 oak	#5659
Dining table 120 oak obsidian black	#5671
Dining table 120 oak cloud grey	#5672
Dining table 120 oak moss green	#5673

Colour variations

(FENIX® nanolaminate)



oak



obsidian black
(RAL: 000 25 00)



cloud grey
(RAL: 7047)



moss green
(RAL: 180 40 05)



reddot winner 2024
furniture design


UMAGE

HEART'N'SOUL | DINING TABLE 120

Designed by Søren Ravn Christensen



Where form meets function, where the ordinary meets the extraordinary, and where all aspects of life are celebrated, UIMAGE is now introducing a new dining table to the Heart'n'Soul collection.

Embracing flexible living, the new dining table is, with its tabletop of 120 centimetres, perfect for smaller homes. Like the classic Heart'n'Soul pieces, the Heart'n'Soul dining table 120 is extendable, allowing you to create additional space for bigger dinners and cherished moments with loved ones. With two fabric-lined drawers at each end of the table, you can quickly hide the mess and marks that everyday life sometimes leaves behind. These drawers also serve as a sturdy support for the two extension plates, providing a stable foundation when fully extended. The extension plates are conveniently hidden underneath the table, making them easy to add or take away as needed.

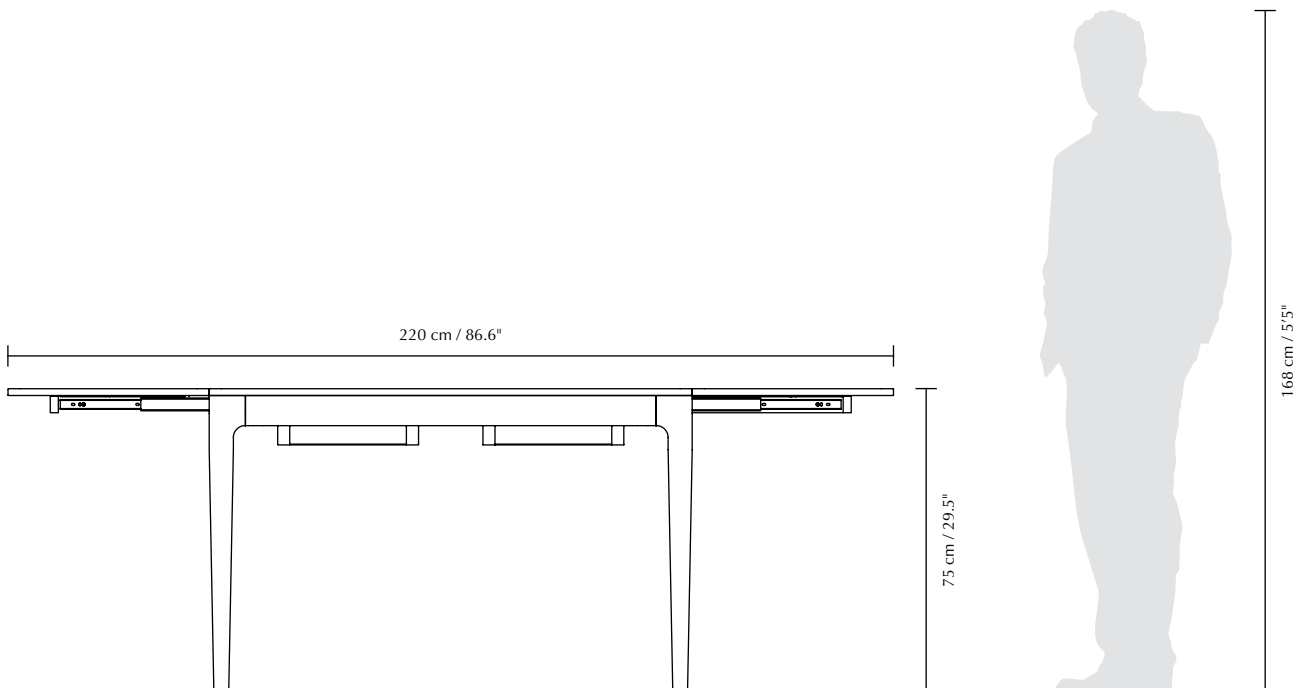
The new dining table brings forth a new level of style and allows you to make the most of the available space. The size of the Heart'n'Soul dining table 120 makes it ideal for a dining corner in your kitchen as well as the perfect fit for smaller dining rooms. Heart'n'Soul dining table 120 is available in oak and oak with a FENIX® nanolaminate tabletop in three different colours, taking the table's durability and functionality to new heights. The Heart'n'Soul dining table is also available in a 200 cm edition.

Find more info on our website umage.com



HEART'N'SOUL | DINING TABLE 120

Designed by Søren Ravn Christensen




UMAGE

The specifications and dimensions are subject to change without notice. Document date: 16-10-2024 | info@umage.com | umage.com
Havnegade 29, DK-1058 Copenhagen K | +45 31 39 31 31 (tel) & 185 Wythe Ave 2FL, Brooklyn, NY 11249 | +1 646-790-7171 (tel)

HEART'N'SOUL | DINING TABLE 200

Designed by Søren Ravn Christensen



DIMENSIONS (H x W x D)

75 x 200 x 90 cm / 29.5 x 78.7 x 35.4" (nonextended)
75 x 300 x 90 cm / 29.5 x 118.1 x 35.4" (extended)



MARKINGS, TESTS & CERTIFICATIONS

EN 15372 Furniture – Tables (Level 2)
ANSI/BIFMA X5.5 – Desk and Table Products



MATERIAL

Solid oak, MDF, steel (and FENIX® nanolaminate)



CONSTRUCTION

Frame: MDF. Reinforced with glue and screws. Clear top coat wood finish. **Legs:** Solid oak. Legs attached with insert bushings with bolts. **Plate:** Oak veneered / FENIX® nanolaminate MDF.



WEIGHT INCL. PACKAGING

76 kg / 167.5 lb



PACKAGING DIMENSIONS (L x W x H)

208.5 x 98.5 x 19.5 cm / 82 x 38.8 x 7.7"



ASSEMBLY TIME

30 min



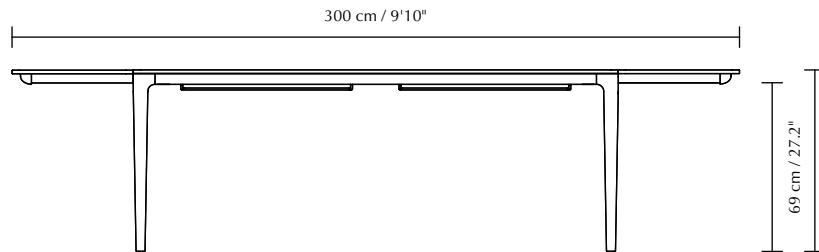
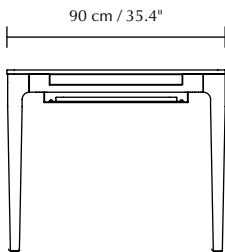
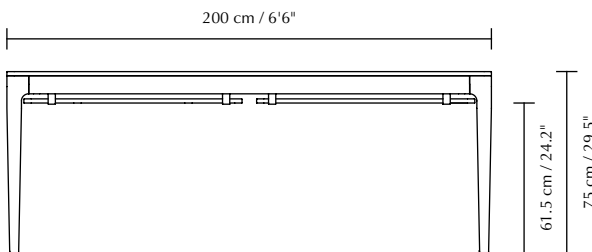
MEDIA KIT

Photos and press material
Download at umage.presscloud.com



ORDERING INFORMATION

Dining table 200 oak	#5658
Dining table 200 oak obsidian black	#5664
Dining table 200 oak cloud grey	#5665
Dining table 200 oak moss green	#5666
Dining table 200 dark oak	#5858
Dining table 200 black oak	#5158



Colour variations

(wood)

(FENIX® nanolaminate)



oak



dark oak



black oak



obsidian
black



cloud grey



moss green



reddot winner 2024
furniture design


UMAGE

HEART'N'SOUL | DINING TABLE 200

Designed by Søren Ravn Christensen



DINING TABLE WITH STORAGE

The Heart'n'Soul dining table with FENIX® nanolaminate is where form follows function, where the ordinary meets the extraordinary and where all aspects of life are celebrated.

FENIX® nanolaminate is known for its remarkable durability, with exceptional resistance to scratches, stains, and impact. Perfectly suited for homes where life is lived, the tables will retain their appearance over time. The flawless and smooth finish of the tabletop gives your space a sleek look, which will add a modern feel to your home, transforming the atmosphere.

The dining table is extendable and has two fabric-lined drawers at each end of the table, where you can quickly put away the mess and marks that everyday life sometimes leaves behind.

To complement the natural beauty of the oak, The Heart'n'Soul dining table with FENIX® nanolaminate are available in three colours: Cloud grey, moss green and obsidian black.

Find more info on our website umage.com

