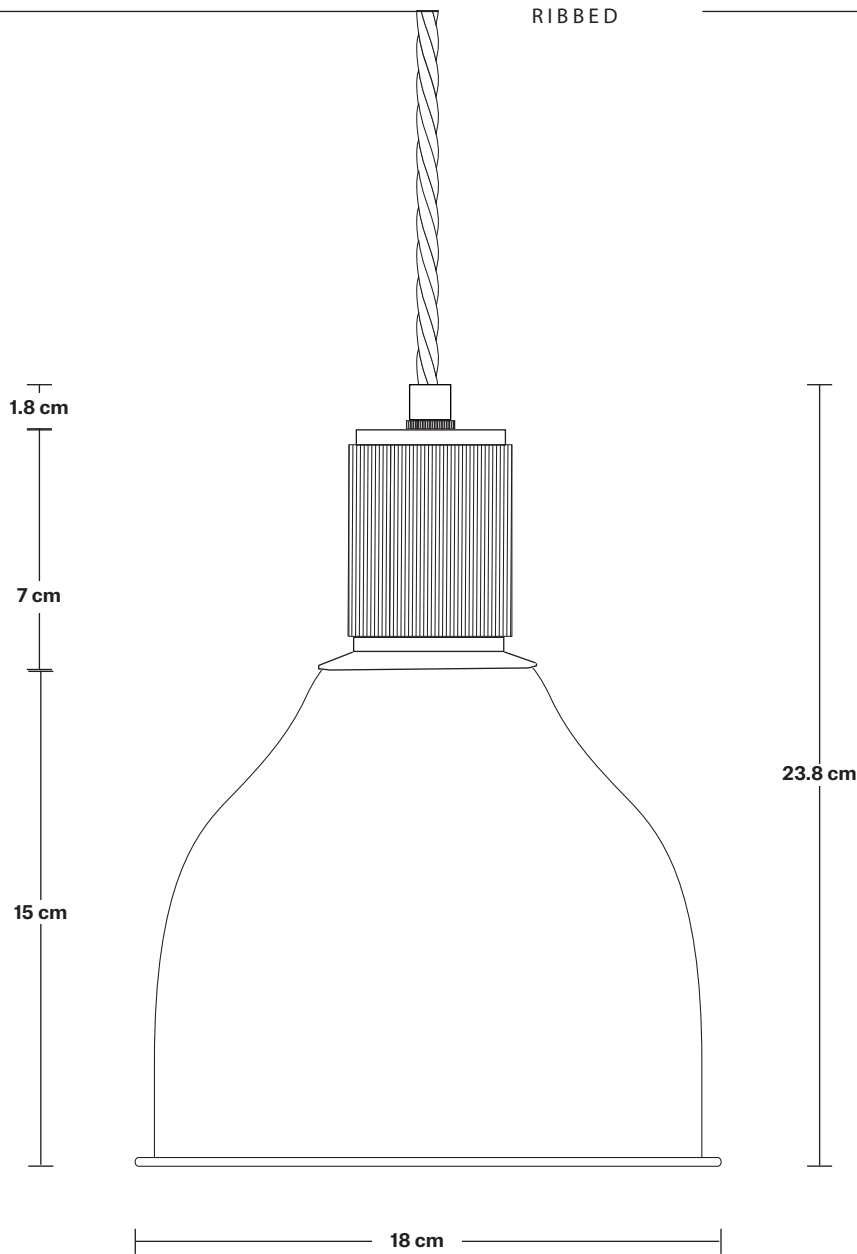


RIBBED



Ribbed Cone Pendant - 7 Inch

SPECIFICATIONS

We meet all UK and EU lighting and safety regulations.

Our products are hand finished to ensure an authentic vintage look and therefore they may vary slightly from those shown in the images.

Bulb Required: Standard screw (E27) fitting, max 40W.

WEIGHT: 0.65 kg

INFORMATION

PRODUCT CODE: RI-CP7

FINISHES: Black, Pewter, Brass.

HOLDER FINISHES: Bronze, Black, Brass.

FLEX: 1m Black Twisted Fabric Flex.

Ready to be installed, installation required.

Wall mount screws not included.

DIMENSIONS

H: 123.4 cm x W: 18 cm x D: 18 cm

SHADE DIAMETER: 18 cm / 7.1"

SHADE HEIGHT: 15 cm / 5.9"

HOLDER DIAMETER: 6.3 cm / 2.5"

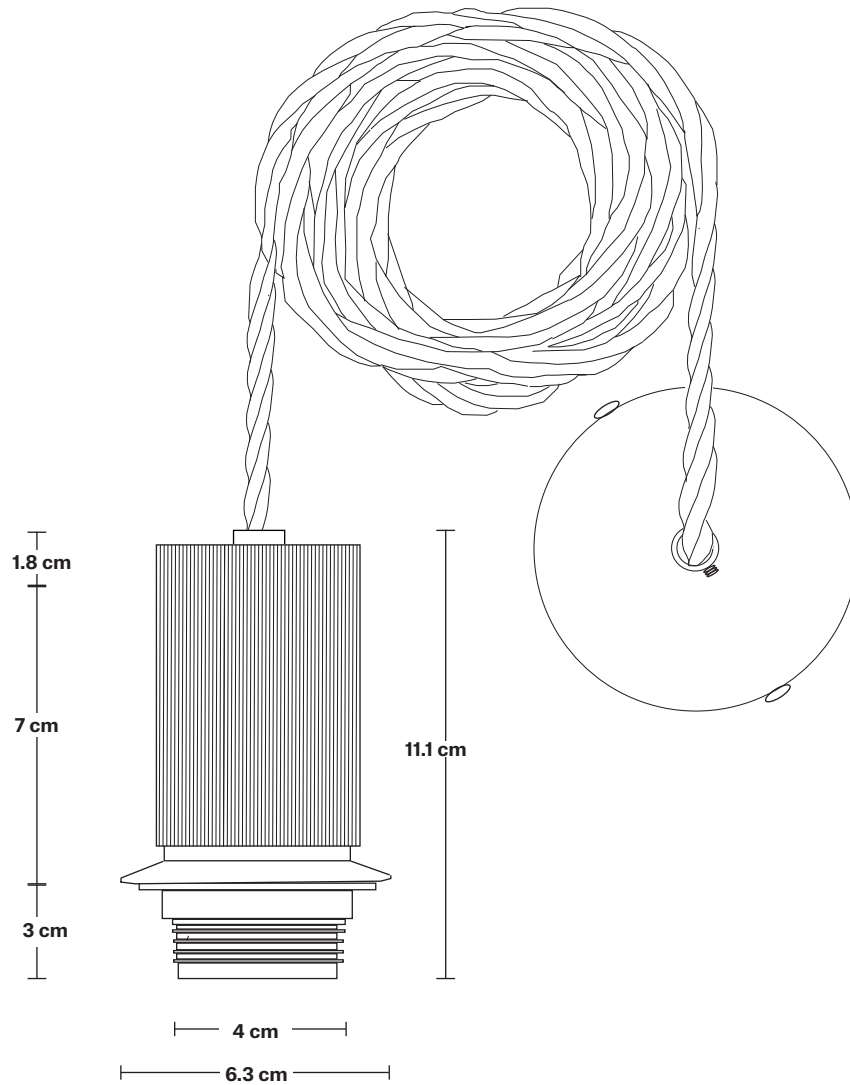
HOLDER HEIGHT: 11.1 cm / 4.3"

ROSE DIAMETER: 8.5 cm / 3.3"

ROSE HEIGHT: 2 cm / 0.8"

INDUSTVILLE

RIBBED



Ribbed Edison Cord Set ES E27 Bulb Holder

SPECIFICATIONS

We meet all UK and EU lighting and safety regulations.

Our products are hand finished to ensure an authentic vintage look and therefore they may vary slightly from those shown in the images.

Bulb Required: Standard screw (E27) fitting, max 40W.

WEIGHT: 0.3 kg

INFORMATION

PRODUCT CODE: RI-ECS

HOLDER FINISHES: Bronze, Black, Brass.

FLEX: 1m Black Twisted Fabric Flex.

Ready to be installed, installation required.

Wall mount screws not included.

DIMENSIONS

H: 111.1 cm x W: 6.3 cm x D: 6.3 cm

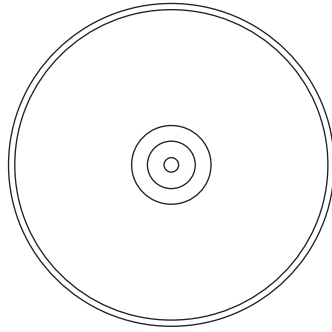
HOLDER DIAMETER: 6.3 cm / 2.5"

HOLDER HEIGHT: 11.1 cm / 4.3"

ROSE DIAMETER: 8.5 cm / 3.3"

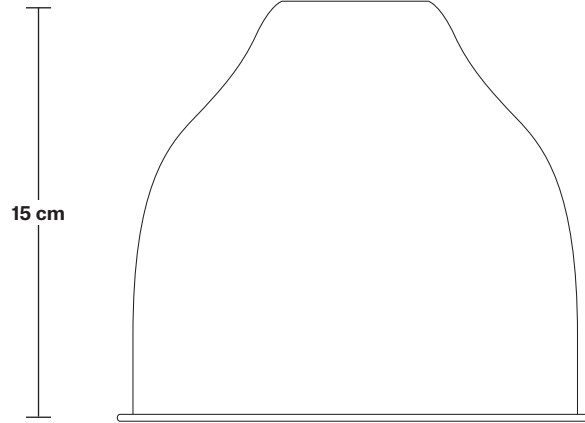
ROSE HEIGHT: 2 cm / 0.8"

INDUSTVILLE



18 cm

4 cm



15 cm

Cone Shade - 7 Inch

SPECIFICATIONS

We meet all UK and EU lighting and safety regulations.

Our products are hand finished to ensure an authentic vintage look and therefore they may vary slightly from those shown in the images.

WEIGHT: 0.35 kg

INFORMATION

PRODUCT CODE: C7-S0

FINISHES: Black, Pewter, Brass, Copper.

DIMENSIONS

H: 15 cm x W: 18 cm x D: 18 cm

SHADE DIAMETER: 18 cm / 7.1"

SHADE HEIGHT: 15 cm / 5.9"