

meir.

**WALL MIXER & DIVERTER MIXER  
CONCEALED PARTS AND FINISH KITS  
INSTALLATION GUIDE**

Version 4. 2024.

## WELCOME

Thank you for purchasing one of our premium Wall Mixers and / or Wall Mixer Diverters. Before installing this product, please read these instructions carefully. This Installation Guide contains information for safe use, installation and maintenance.

Meir does not accept responsibility for any damages due to not observing these instructions.

If you have any questions regarding our products, please contact us at:

[sales@meir.com.au](mailto:sales@meir.com.au)

## CONTENTS

---

<b>WELCOME</b> .....	01
<b>CONTENTS</b> .....	02
<b>DESCRIPTION</b> .....	03
<b>MAIN COMPONENTS</b> .....	04
<b>TECHNICAL INFORMATION</b> .....	05
<b>INSTALLATION NOTES</b> .....	06
<b>PRECAUTIONS FOR INSTALLATION</b> .....	07
<b>INSTALLATION INSTRUCTIONS: WALL MIXER</b> .....	08
<b>INSTALLATION INSTRUCTIONS: WALL MIXER DIVERTER</b> .....	10
<b>CLEANING</b> .....	12
<b>WARRANTY</b> .....	13
<b>TROUBLESHOOTING</b> .....	14

## DESCRIPTION



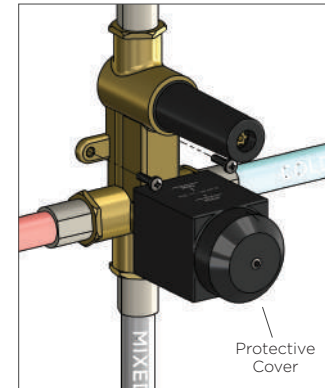
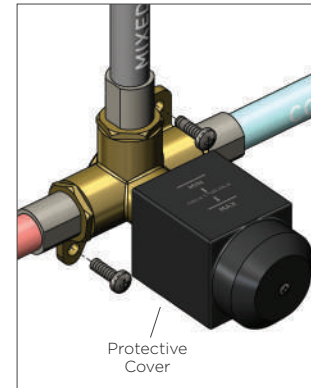
### WALL MIXER & DIVERTER MIXER CONCEALED PARTS AND FINISH KITS

The same installation method applies to the various Meir models for this item category.

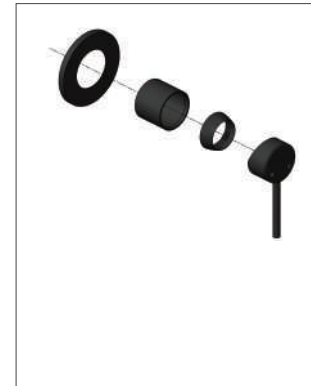
The Wall Mixer units are design so that the concealed part can be pre-installed into the wall without the finish kit. The finish kits can be installed onto the concealed part later once the wall finish has been completed. This is to help prevent damage to the finish kit during the rough construction stage. The finish kits can be removed later and conveniently replaced with a different colour if preferred.

## MAIN COMPONENTS

### CONCEALED PARTS



### FINISH KIT



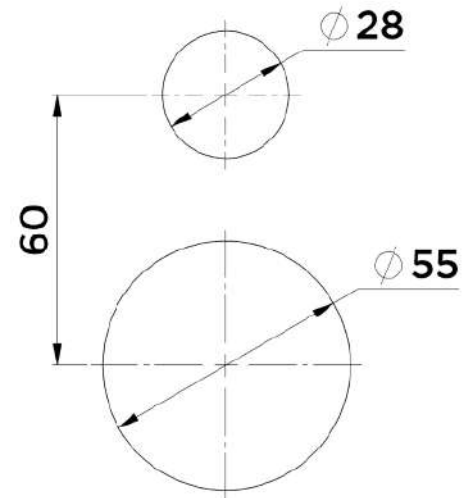
## TECHNICAL INFORMATION

Operating pressure:	50kPa to 300kPa (1/2 bar to 3 bar)
Maximum static pressure:	500kPa (5 bar)
Maximum hot water temperature:	70°C
Hot water temperature during initial setting:	65°C
Cold water temperature during initial setting:	15°C
Hot and cold water pressure during initial setting:	300kPa (3 bar)
Minimum wall depth including wall finish thickness:	45mm

## INSTALLATION NOTES

1. Please verify the following prior to installation:
  - a. The supply pressures are within the valves operating range.
  - b. The supply temperatures are within the valves operating range.
  - c. Check the online datasheets before installation.

### DIVERTER SET TILE CUT-OUT SIZES

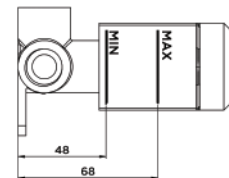
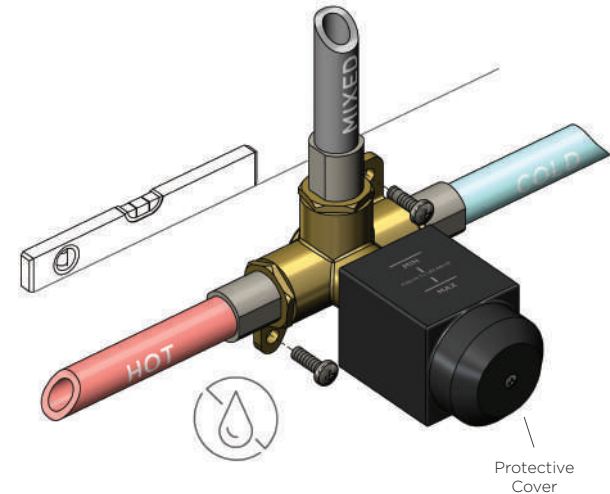


## PRECAUTIONS FOR INSTALLATION

- Operating pressures above 5 bar will require the installation of a pressure reducing valve.
- Installation must only be completed by a licensed plumber or tradesperson.
- When installing products, all water pipes must be flushed clean just prior to installation of the wall mixer body units.
- If the water temperature exceeds 75°C, an approved water tempering valve must be fitted.
- Do not remove the plastic protective cover from the body unit until all the wall tiling or finishing is complete.
- Check the installation tolerances for the finish parts prior to installation.
- The plumber or tradesperson must generate a certificate or official statement showing the work completed. This certificate or receipt must be kept and provided to Meir during any warranty claim request.
- Follow the 'Care and Cleaning' guide at [meir.com.au/pages/warranty](http://meir.com.au/pages/warranty)
- The failure to comply with the instructions outlined above will void any warranty claims.

## INSTALLATION INSTRUCTIONS

### WALL MIXER



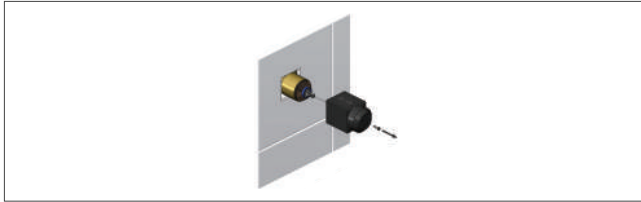
45mm x 45 mm  
MAX hole size

INSTALLATION INSTRUCTIONS CONTINUED OVER PAGE

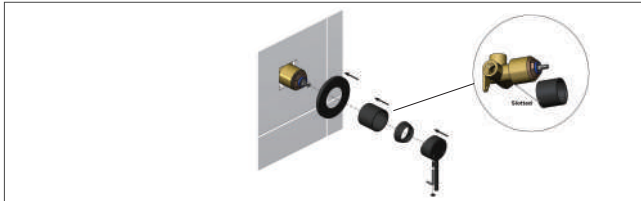
## INSTALLATION INSTRUCTIONS

### WALL MIXER

1. Remove the plastic cover.



2. Install the finish kit onto the concealed part.  
Locate the handle cover sleeve slot to the pin.



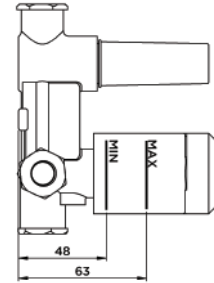
3. Fasten the handle grub screw and test.



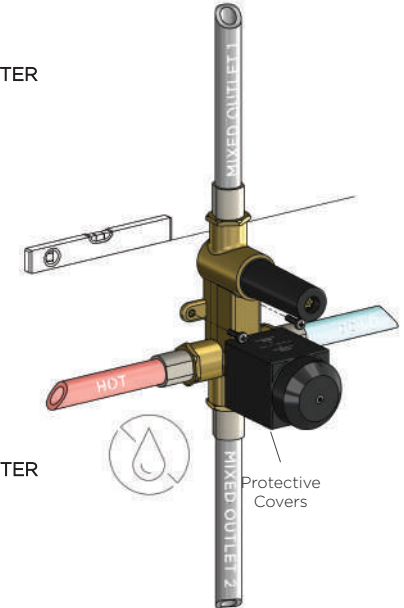
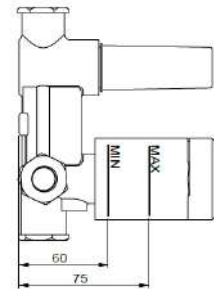
## INSTALLATION INSTRUCTIONS

### WALL MIXER DIVERTER

#### TOLERANCE 2-WAY DIVERTER



#### TOLERANCE 3-WAY DIVERTER



Protective  
Covers

45mm x 45 mm  
MAX hole size

INSTALLATION INSTRUCTIONS CONTINUED OVER PAGE

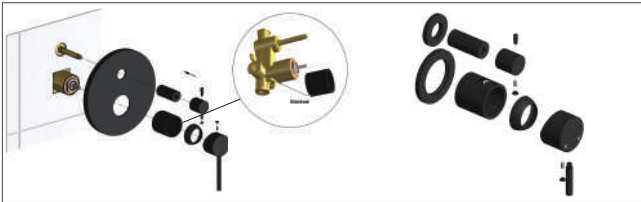
## INSTALLATION INSTRUCTIONS

### WALL MIXER DIVERTER

1. Remove the plastic covers and diverter handle brass sleeve.



2. Install the finish kit onto the concealed part.  
Locate the handle cover sleeve slot to the pin.



3. Orientate the diverter handle correctly.  
Fasten the handle grub screws and test.



## CLEANING

- Do not install the tapware using any form of acetone silicones.
- Do not apply physical items (such as tools) directly to the product.
- Never use detergents, acidic based, or abrasive cleaners and do not use undue pressure.
- A soft cloth can be used to remove surface dust. Alternatively, wipe with warm soapy water to ensure the finish remains in a superior condition for continued use.
- The use of wax-based furniture products should be avoided. These can result in a build-up of deposits that can detract from the appearance of the product.

## WARRANTY

### THE WARRANTY WILL BE VOIDED DUE TO:

- Normal and fair wear and tear, misuse, abuse, or mishap.
- The exposure to excessive moisture derived from lack of ventilation.
- The inability to provide proof of purchase.
- Products not installed by a licensed tradesperson, failure to follow installation instructions or damage which arises from or during installation.
- Scratches or damage caused by applying physical and or abrasive contact directly to the product.
- The product being damaged by accident or neglect.
- Incorrect use of the product in accordance with any applicable Instruction Guides.
- The purchaser attempting to modify or repair the product.
- Full Warranty and Terms & Conditions can be viewed at: [meir.com.au/meir-australia-warranty/](http://meir.com.au/meir-australia-warranty/)

## TROUBLESHOOTING

FAULT	CAUSE	SOLUTION
Insufficient water flow.	<ul style="list-style-type: none"><li>• Incoming water pressure is low.</li><li>• Mixer cartridge inlet is dirty or blocked.</li></ul>	<ul style="list-style-type: none"><li>• Check with your local municipality regarding your water supply pressure.</li><li>• Remove and clean the cartridge.</li></ul>
Water dripping after closed.	<ul style="list-style-type: none"><li>• Loose mixer cartridge.</li><li>• Damaged mixer cartridge.</li></ul>	<ul style="list-style-type: none"><li>• Remove, check and clean the mixer cartridge.</li><li>• Follow the Meir warranty procedure to have the cartridge replaced.</li></ul>
Damaged cartridge.	<ul style="list-style-type: none"><li>• Debris from the water, due to insufficient flushing of the lines during installation.</li></ul>	<ul style="list-style-type: none"><li>• Replace the cartridge with a new one.</li></ul>



**CONTACT**

**P:** 1800 012 122

**P:** +61 3 8678 1722 (international)

**E:** [sales@meir.com.au](mailto:sales@meir.com.au)

**meir.**