

MW07TS-FIN

WALL MIXER DIVERTER FINISH KIT

meir®

HANDLE VARIANTS



Paddle:MW07TSPD-FIN

Paddle:MW07TSPN-FIN

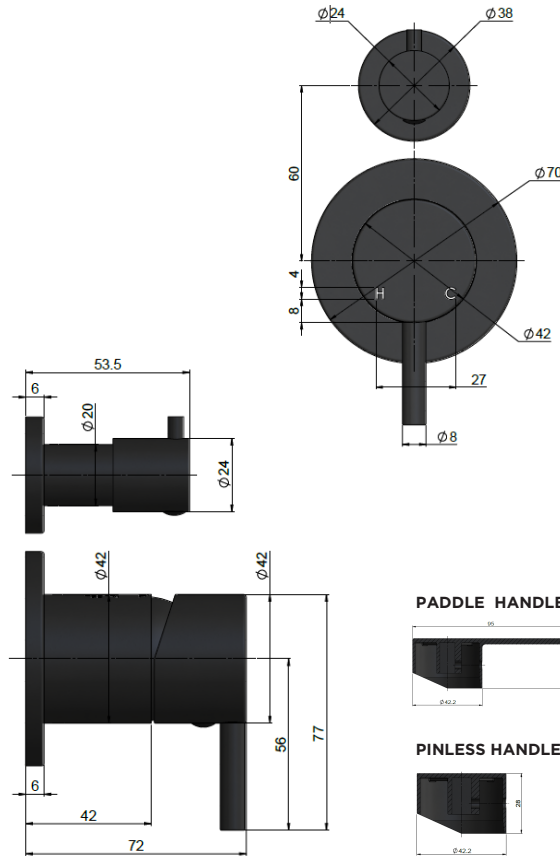
FEATURES

- Refer to the Meir website for warranty terms & conditions, and available finishes
- Featuring the finish set only, excluding the in-wall body.
- European components and cartridge
- Reinforced rubber seal and lining
- Solid brass construction

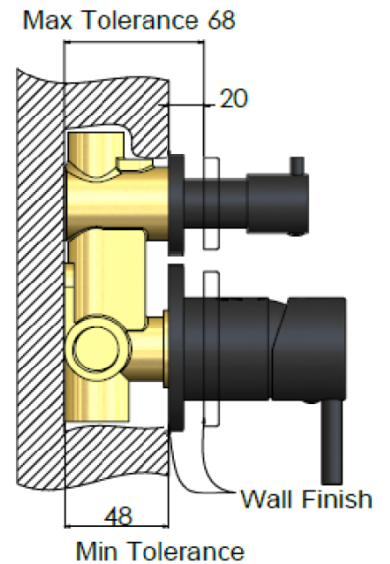
CARE

- Do not install tapware using any form of acetone silicones.
- Do not apply physical items (such as tools) directly to product.
- Never use house-hold or commercial detergents, citrus based cleaners, or abrasive cleaners.
- Clean using a mild washing soap solution rinsed, and dry with a soft cloth.
- Check for any product defects before installation.
- Refer to the installation manual for correct installation.

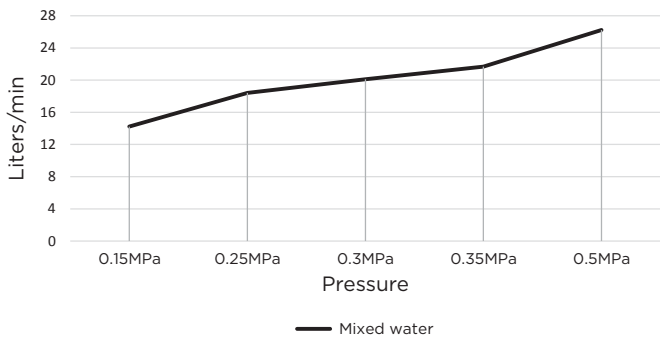
SPECIFICATIONS



TOLERANCES



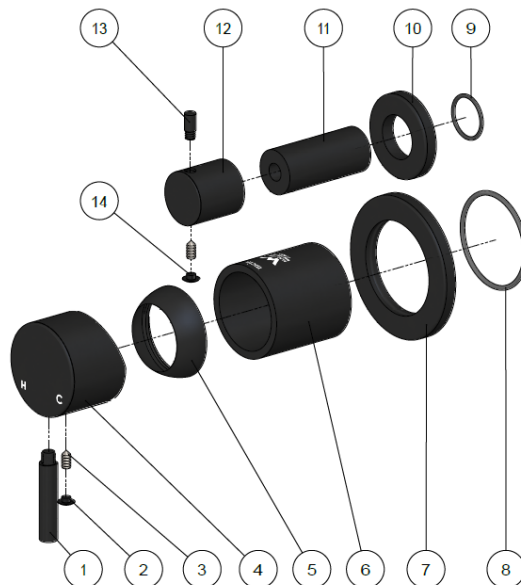
FLOW RATE GRAPH (for the complete installation)



CREDENTIALS

- Watermark AS/NZS 3718WMKA25013

EXPLODED VIEW



No.	Part Name
1	Pin Lever
2	Decor Knob
3	Screw
4	Handle
5	Decor Cover
6	Copper Sleeve
7	Back Plate
8	O-ring
9	O-ring
10	Back Plate
11	Copper Sleeve
12	Handle
13	Pin Lever
14	Decor Knob