

# MW07TS-FIN

## WALL MIXER DIVERTER FINISH KIT

# meir®

**MATTE BLACK**  
MW07TS-FIN

**CHROME**  
MW07TS-FIN  
-C

**CHAMPAGNE**  
MW07TS-FIN  
-CH

**TIGER  
BRONZE**  
MW07TS-FIN  
-BB

**BRUSHED  
NICKEL**  
MW07TS-FIN  
-PVDBN

**AVAILABLE  
FINISHES**



### FEATURES

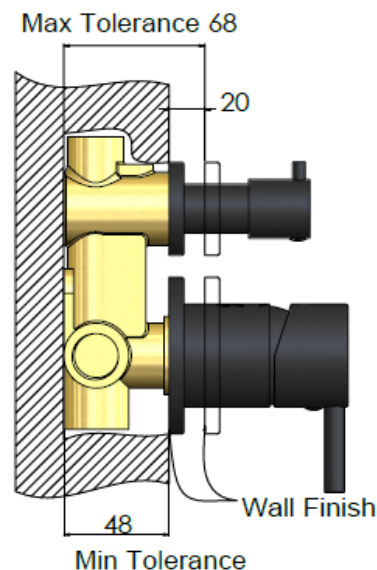
- 10 Year warranty
- Flow rate 18L p/m
- European components and cartridge
- Reinforced rubber seal and lining
- Solid brass construction

### CARE

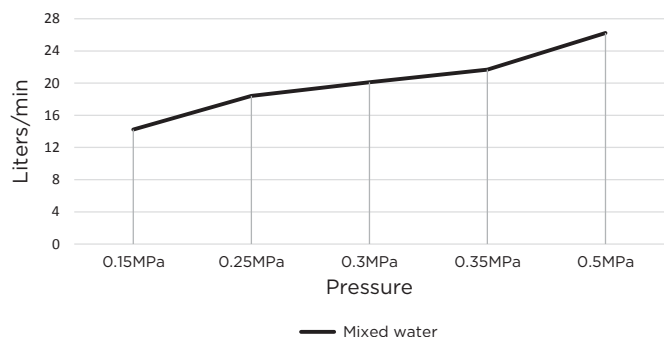
- Do not install tapware using any form of acetone silicones.
- Do not apply physical items (such as tools) directly to product.
- Never use house-hold or commercial detergents, citrus based cleaners, or abrasive cleaners.
- Clean using a mild washing soap solution rinsed, and dry with a soft cloth.
- Check for any product defects before installation.
- Refer to the installation manual for correct installation.

### SPECIFICATIONS

### TOLERANCES



### FLOW RATE GRAPH



### CREDENTIALS

- Watermark AS/NZS 3718WMKA25013

### EXPLODED VIEW

No.	Part Name
1	Pin Lever
2	Decor Knob
3	Screw
4	Handle
5	Decor Cover
6	Copper Sleeve
7	Back Plate
8	O-ring
9	O-ring
10	Back Plate
11	Copper Sleeve
12	Handle
13	Pin Lever
14	Decor Knob