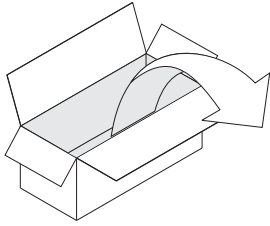
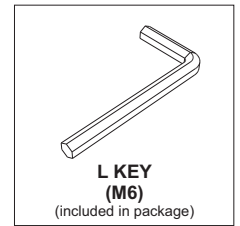


OSCAR DESK ASSEMBLY INSTRUCTION FOR DESK INSTALLATION



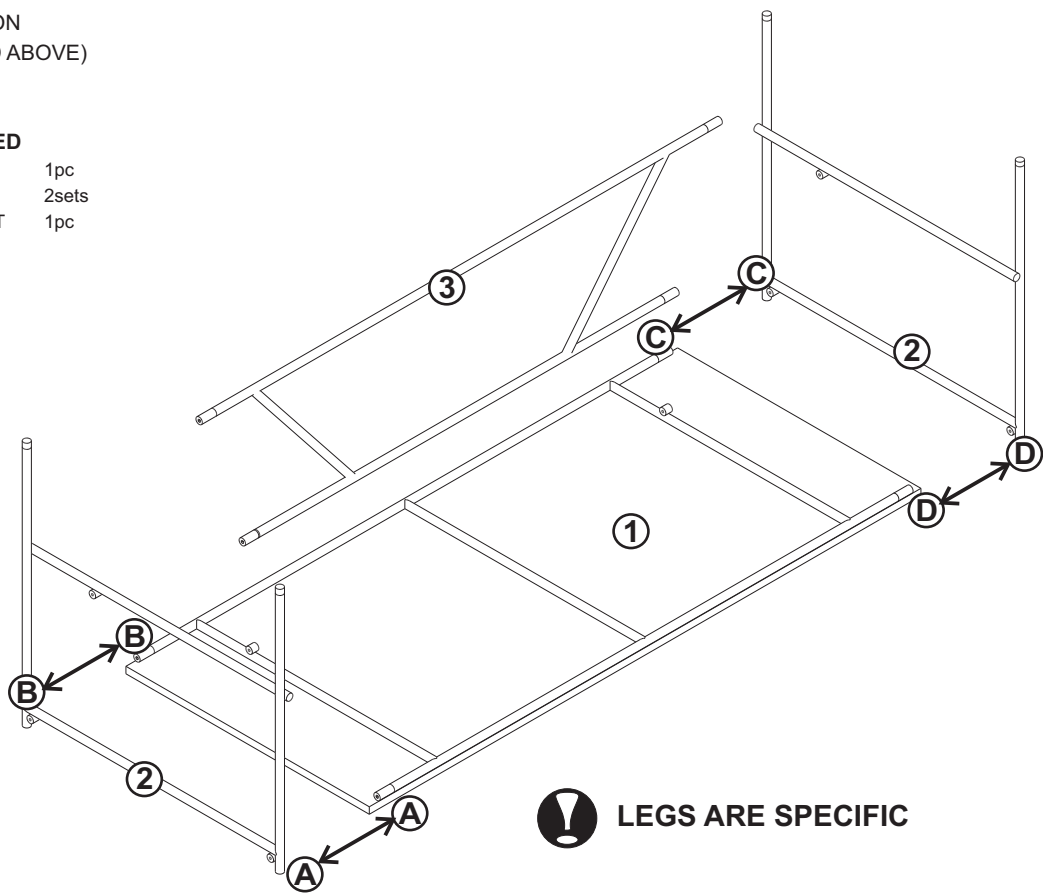
TOOL



IN YOUR PACKAGE :
ASSEMBLY INSTRUCTION
HARDWARE (AS LISTED ABOVE)

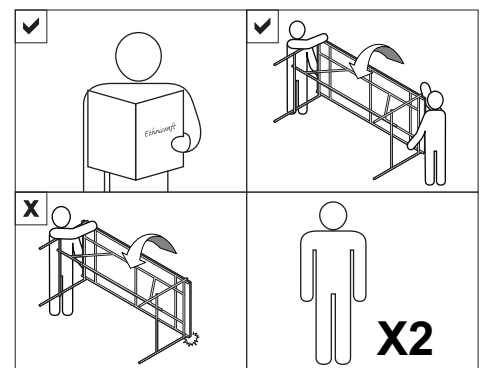
PARTS TO BE INSTALLED

- 1. TABLE TOP 1pc
- 2. LEGS 2sets
- 3. LEG SUPPORT 1pc



! LEGS ARE SPECIFIC

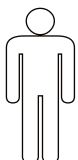
NOTICE



SYMBOLS



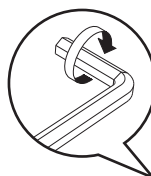
DIRECTION



NUMBER OF
PERSON NEEDED



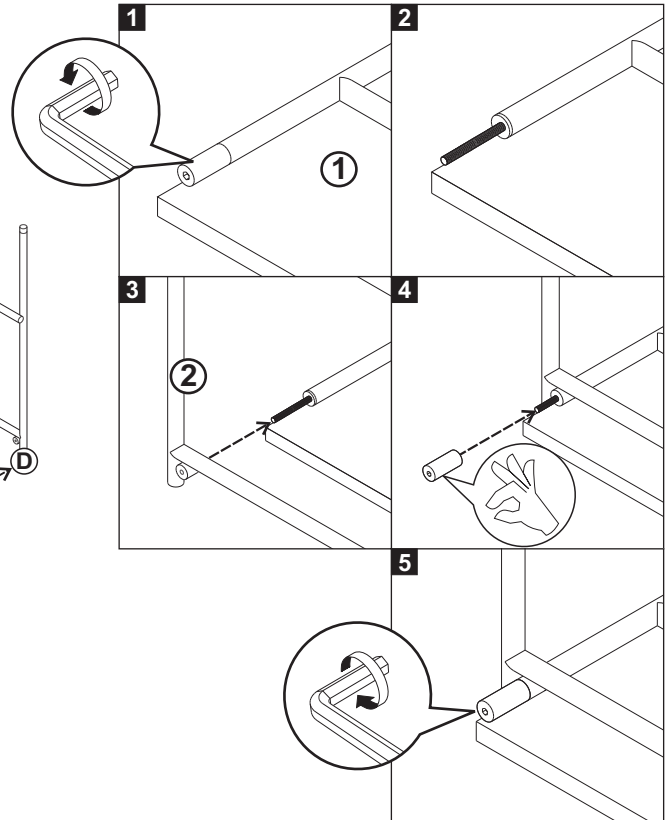
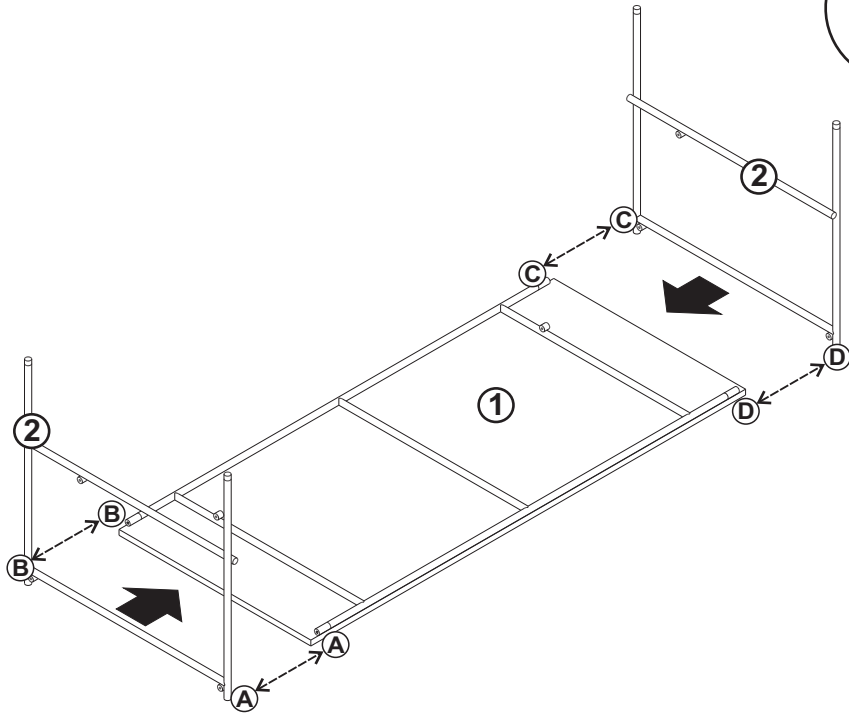
USE HAND



USE L KEY
TO TIGHTEN

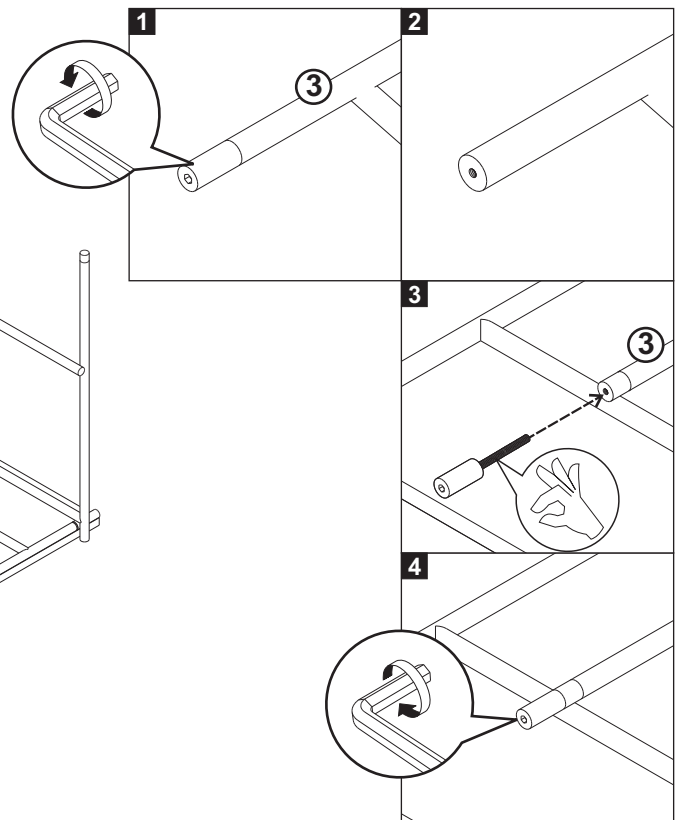
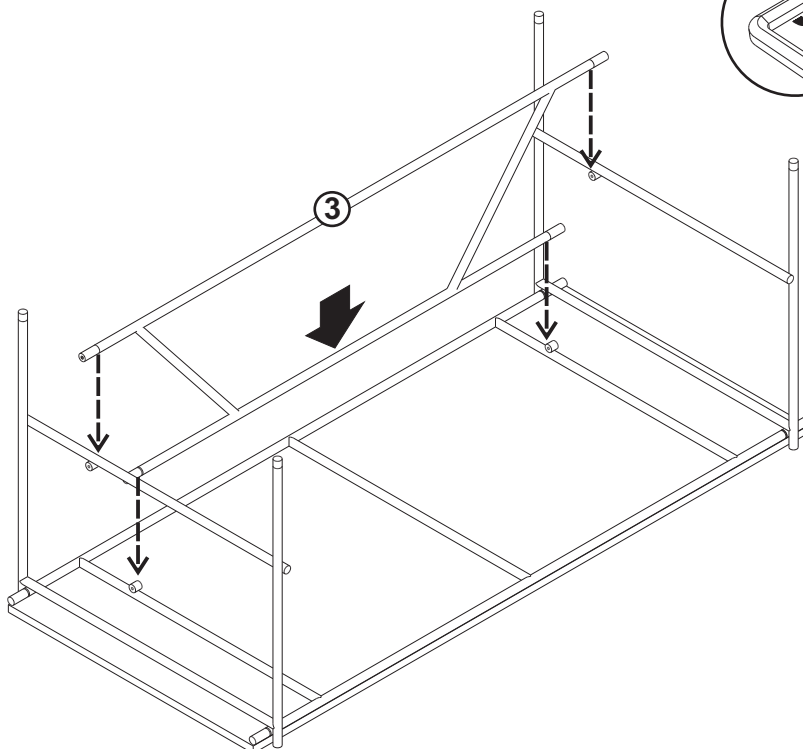
OSCAR DESK ASSEMBLY INSTRUCTION FOR DESK INSTALLATION

A. INSTALLING LEGS



 - ALWAYS REFER THE CODE
- DO NOT FULLY TIGHTEN

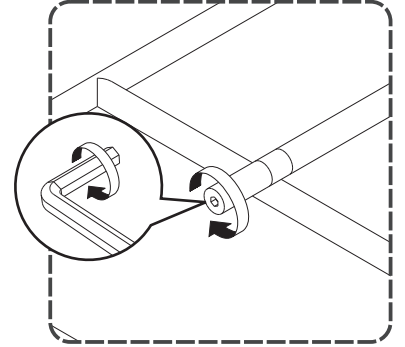
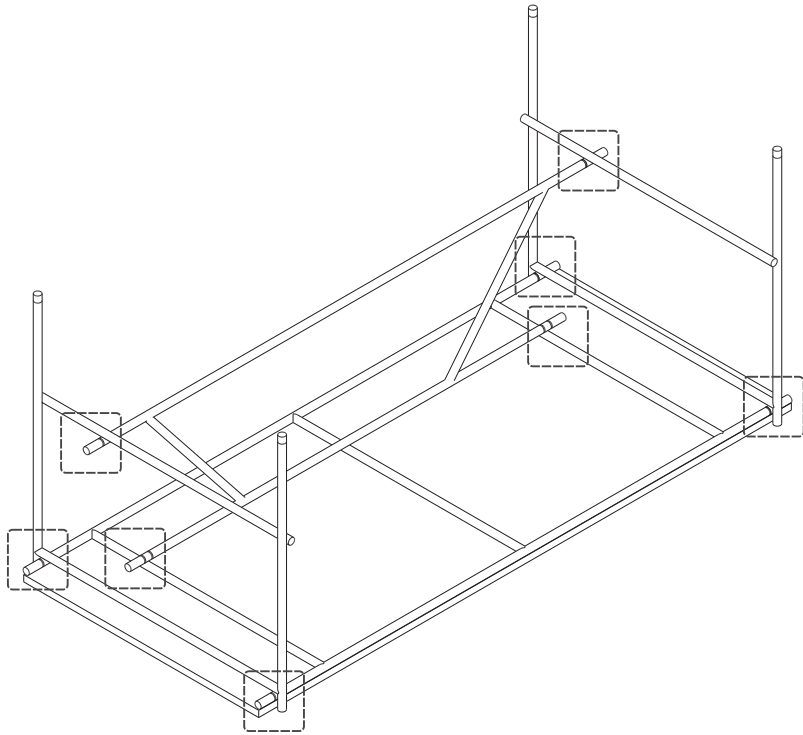
B. INSTALLING LEG SUPPORT



 DO NOT FULLY TIGHTEN

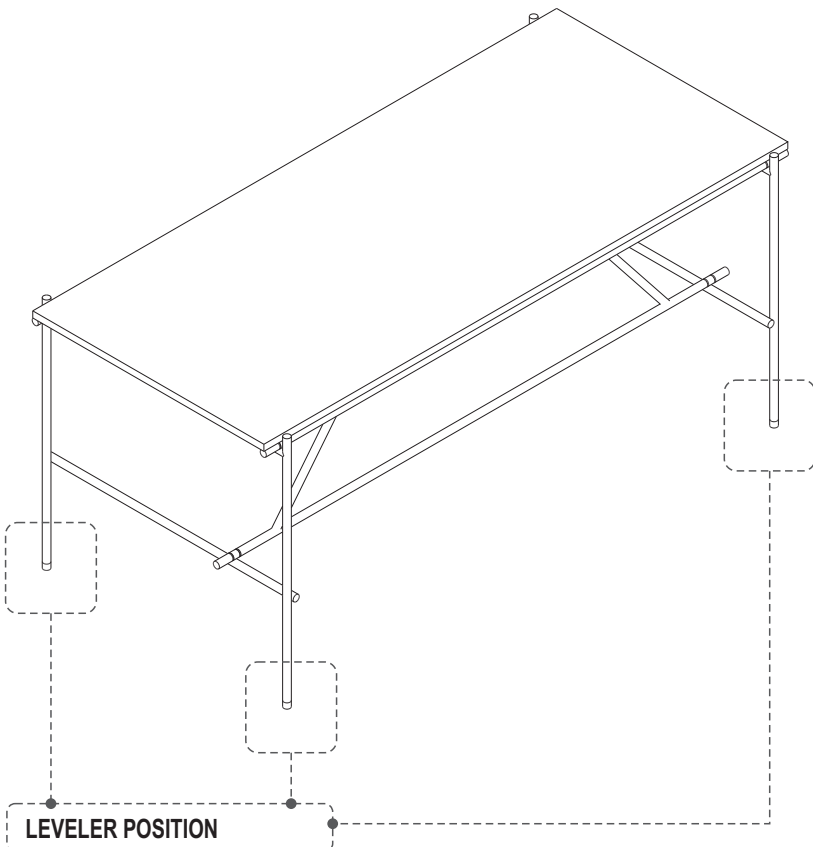
OSCAR DESK ASSEMBLY INSTRUCTION FOR DESK INSTALLATION

C. RE-TIGHTEN THE SCREWS & NUTS

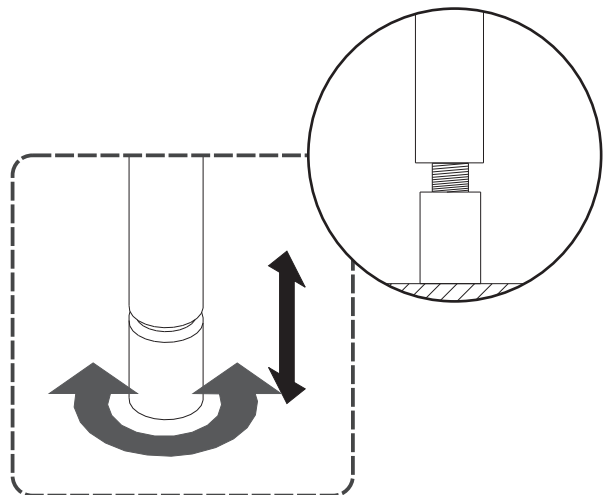


! TIGHTEN FULLY ALL BOLTS & NUTS

D. FINISH



LEVELER POSITION



NOTE :
THIS IS A COMPULSORY ACTION TO MAKE SURE
ALL OF THE METAL LEGS TOUCH THE GROUND!