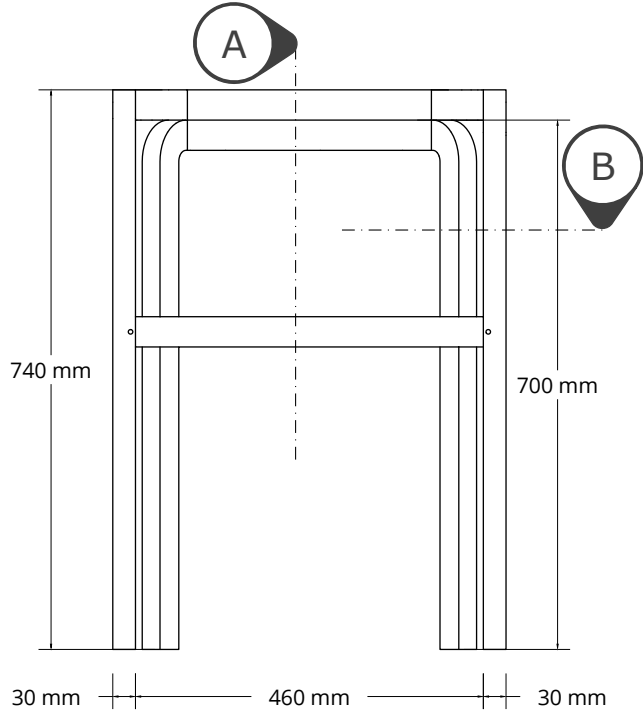
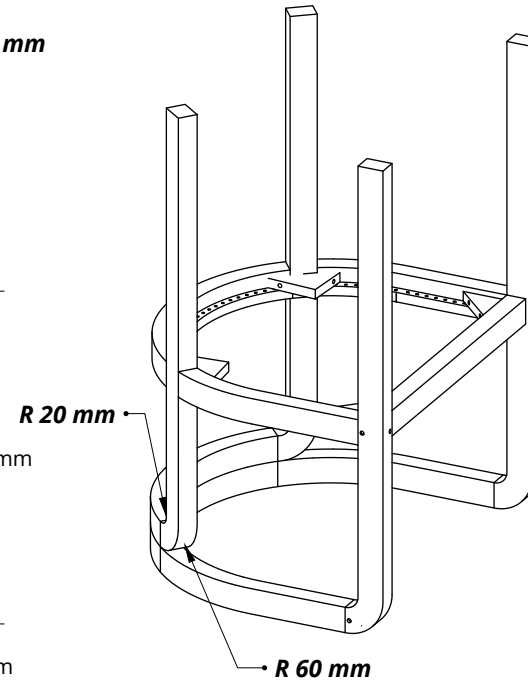
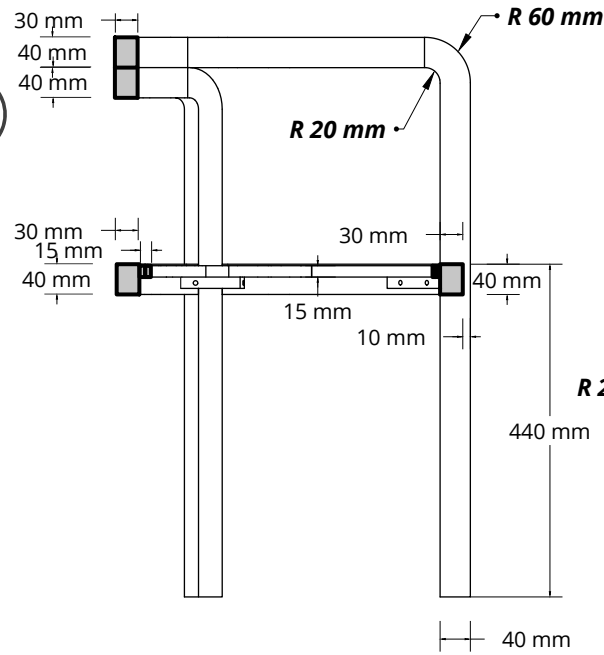


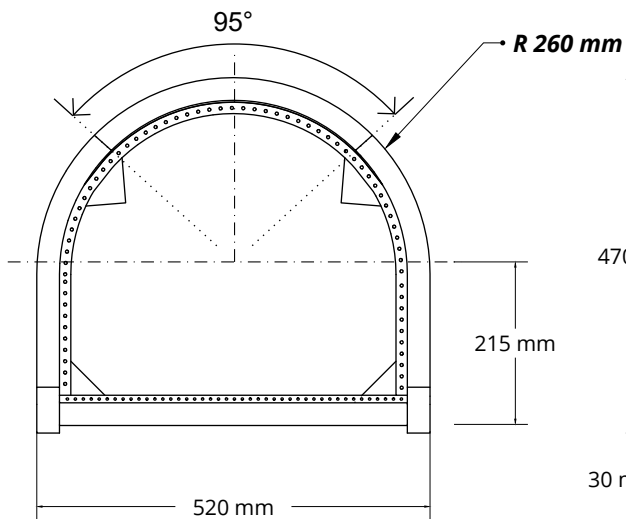
### TAMPAK DEPAN



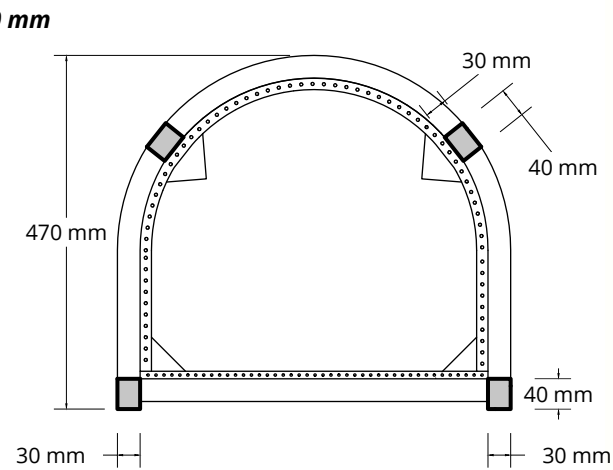
### SECTION A



### TAMPAK ATAS



### SECTION B



Radius Arm Rest  
10 mm



# TRÈSNA

PROJECT NO.

-

PROJECT  
SENEG CHAIR

SIZE  
52 X 47 X 74 CM

PRODUCT DESCRIPTION  
MATERIAL  
TEAK WOOD

CLIENT

-

APPROVE

By .....

Date

ISSUE

-

RE-ISSUE

-

DATE  
9 DEC 2020

DRAWN BY  
ALDHI