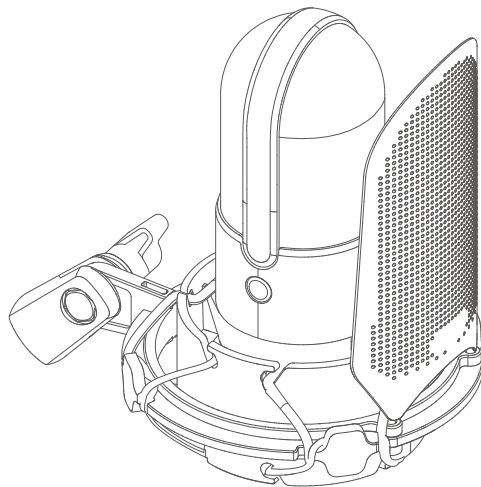


合格证
QC PASS

Godox



Wechat
Official Account
神牛微信公众号

深圳市神牛摄影器材有限公司

地址: 深圳市宝安区福海街道塘尾社区耀川工业区厂房2栋 电话: 0755-29609320(8062)

传真: 0755-25723423 邮箱: godox@godox.com

GODOX Photo Equipment Co., Ltd.

Add: Building 2, Yaochuan Industrial Zone, Tangwei Community, Fuhai Street, Bao'an District, Shenzhen
518103, China Tel: +86-755-29609320(8062) Fax: +86-755-25723423 E-mail: godox@godox.com

www.godox.com

Made in China | 707-UMY100-00



UMic 10

USB心型电容麦克风
USB CARDIOID CONDENSER MICROPHONE

说明手册
Instruction Manual

前言

感谢购买神牛产品!

这是一款单指向电容麦克风,带防震架和防风网,USB连接电脑,用于专业电脑录音,网络会议,聊天等音频录制场景。

使用本产品之前,请仔细阅读说明书,以便正确操作及使用。

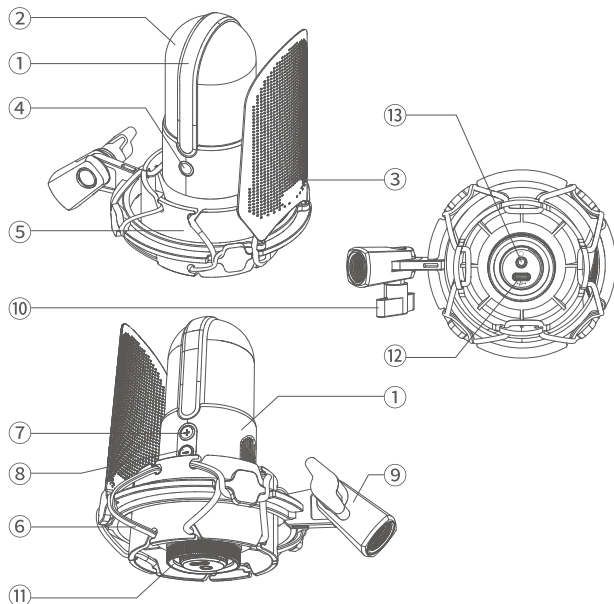
主要特点:

- 心形指向电容拾音器,更佳的收音效果,而来自其他方向的声音则会被衰减,更精准捕获人声。
- 抗干扰磁环,防止插拔线的时候的电流冲击产生的干扰,防止空间的电磁干扰,降低高频噪声,让传输更稳定。
- 内置大震膜拾音咪头,灵敏度高,精准捕获人声信号,高音嘹亮,低音深沉。
- 降噪升级,专业录音棚音质,主动降噪,音质更清晰。
- 专业USB数据线,防干扰磁环让传输更稳定,轻松连接电脑,即插即用。
- 强大智能兼容,适用于电脑系统:Win7/Win8/Win10 / Mac OS。
- 适用于市面上99%的直播软件,适用于K歌、玩游戏、直播、聊天、录音等场景。
- 专配旋转减震支架,根据您的需求,随时调整录音角度。

警告

- 麦克风是精密设备。请勿使其掉落或受到撞击,以避免发生故障。
- 请勿私自拆卸、改装或尝试维修本产品。产品如出现故障须由本公司或授权的维修人员进行检查维修。
- 请保持干燥,请勿用湿手握持本产品,亦不可将产品浸入水中或暴露于雨中。
- 请勿将本产品存放在阳光直射的地方、加热装置附近或者炎热、潮湿或多尘的地方。
- 请勿让儿童接触本产品,以避免发生意外。
- 请勿在易燃易爆环境中使用。在这些场合下,请注意相关警告标识。
- 请勿放置在超过60度的高温环境中。
- 此产品兼容市场上绝大部分Type-C接口主流机型。
- 请仔细阅读并遵守由厂商提供的警告或指示。

部件名称



- | | |
|-----------|---------------|
| 01. 麦克风主体 | 08. 音量-键 |
| 02. 铁网 | 09. 5/8转接座 |
| 03. 防风罩 | 10. 转接座旋钮 |
| 04. 静音键 | 11. 锁套 |
| 05. 防震架 | 12. Type-c 插孔 |
| 06. 防震绳 | 13. 3.5mm耳机插孔 |
| 07. 音量+键 | |

标配物品

USB心型电容麦克风UMic10



USB麦克风x1



防喷网x1



减震支架x1



USB数据线x1



Type-C转Type-C 数据线x1



说明书x1



干燥剂x1

供电

麦克风只能从外接电源供电。USB Type-C 数据线一端连麦克风，一端连电脑，电脑给麦克风供电使用。

静音调节

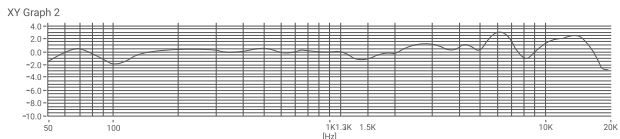
短按 静音按键开启或关闭静音模式。短按 静音按键后，指示灯显示为红色，则是开启静音模式，麦克风不可拾音。短按 静音按键后，指示灯显示为蓝色，则是关闭静音模式，麦克风正常拾音。

耳机音量调节

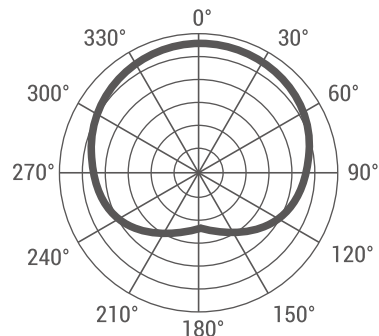
按动 按键，耳机播放的音量会从小变大变化，直至最大。

按动 按键，耳机播放的音量会从小变大变化，直至无声。

频率响应图



心型指向



使用指导

- 1.使用USB数据线，Type-C一端连接麦克风，USB一端插孔连接电脑使用。
- 2.通过3.5mm耳机插孔连接实时耳返耳机。
- 3.使用Type-C转Type-C 数据线，数据线两端分别连接麦克风和手机。

连接电脑录音指导

Windows系统设置(以win10为例)

- 第一:开始-设置
- 第二:选择声音
- 第三:选择扬声器UMic10

Mac OS苹果系统设置

- 第一:桌面的录音图标
- 第二:选择声音
- 第三:输出选择麦克风

注:上述操作基于已连接电脑。

规格参数

型号	UMic10
指向型	单指向
信噪比	>70dB

阻抗	50/80 OHM
麦克风频率响应范围	50Hz~20KHz
麦克风采样率	48KHz at 24Bit/48KHz at 24Bit
咪头灵敏度	-35±3dB(0dB=1V/Pa 1KHz)
耳机采样率	48KHz at 24Bit
耳机输出功率	10mW/32Ω
耳机频率响应	20Hz~20KHz
功耗	5V/200mA (MAX)
USB 兼容性	USB1.1/USB2.0
支持操作系统	Win7/Win8/Win10 / Mac OS (不支持 Windows XP)
产品尺寸	139.89*52*46.98mm
麦克风重量	369g
悬臂支架重量	102g

维修保养

保持干燥!本产品是非防水产品,如果将其浸入水中或放置于高湿度的环境中将可能发生故障。内部构造生锈可能会导致无法修理的损害。

避免温度骤变!温度的突变,诸如在寒冷天进出温暖的大楼将可能会使产品内部结露。为避免结露,请将本产品事先装入手提袋或塑料包内,以防温度突变。

远离强磁场!无线电广播发射机等设备产生的强静电或强磁场可能会干扰本产品正常工作。

Forward

Thank you for purchasing!

This is a Unidirectional Condenser Microphone with shock mount and windproof net, USB connected to computer, used for professional computer recording, web conference, chatting, etc.

Please read the Instruction Manual carefully before using to make sure the correct operation and usage.

Feature

- The cardioid-directed condenser pickup has better reception, captures human voice accurately while attenuates sounds from other directions.
- The anti-interference magnetic ring prevents the interference caused by the current impact of plugging and unplugging the cable as well as electromagnetic interference in the air, reduces high-frequency noise, thus making the transmission more stable.
- Built-in Broadcast-quality sound head has a high sensitivity to accurately pick up human voice signals in different ranges.
- Upgraded active noise reduction, professional studio-quality clear sound.
- USB cable and anti-interference magnetic ring can ensure stable transmission, plug-and-play.
- Widely compatible with Win7/Win8/Win10 / Mac OS.
- Applicable to 99% of the live broadcast software on the market, and scenes as karaoke, gaming, live broadcast, chatting and recording.
- Rotatable shock mount can be adjusted to the desired angle conveniently.

Warning

- This product is high-precision instrument, please avoid falling, collision or pounding.
- Do not disassemble. Should repairs become necessary, this product must be sent to our Company or an authorized maintenance center.
- Always keep this product dry. Do not use in rain or damp conditions.
- Do not leave or store this product in the environment of direct sunlight, near heating devices, or in hot, humid or dusty.
- Keep out of reach of children.
- Do not use in flammable and explosive environments. Pay attention to the relevant warning signs.
- Do not leave or store the product if the ambient temperature reads over 60°C.
- Compatible with most mainstream models with Type-C interface on the market.
- Please read carefully and follow the warnings or instructions provided by the manufacturer.

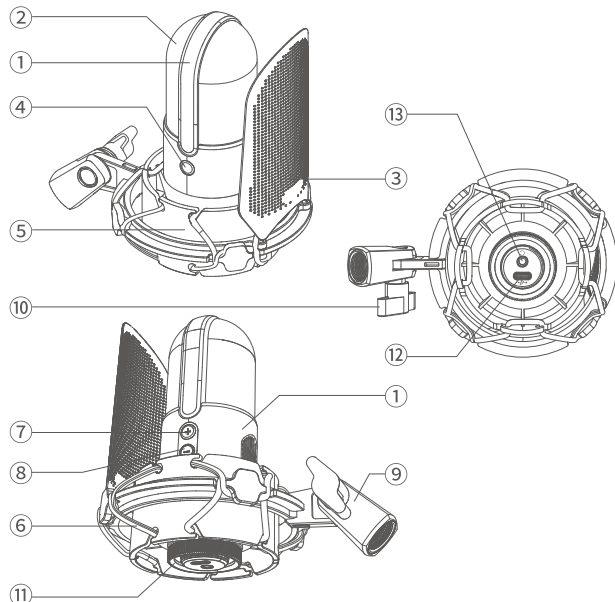
Declaration of Conformity:

GODOX Photo Equipment Co.,Ltd. hereby declares that the This equipment are in compliance with the essential requirements and other relevant provisions of EU Directive 2014/30/EU. They are allowed to be used in all EU member states.

For more information of DoC, Please click this web link:

https://www.godox.com/DOC/Godox_UMic12_UMic10_DOC.pdf

Parts



1. Microphone
2. Iron Net
3. Wind Cap
4. Mute Button
5. Shock Mount
6. Shock Cord

7. Volume Adjustment Button+
8. Volume Adjustment Button-
9. 5/8 Adapter plug
10. dapter Knob
11. Lock Sleeve
12. Type-c Jack
13. 3.5mm Earphone Jack

What's in the Box

USB Cardioid Condenser MicrophoneUMic10



USB Microphone×1



Pop Filter×1



Shock Mount×1



USB Data Cable×1



Type-C to Type-C Data Cable×1



Instruction Manual×1




Desiccant×1


Power Supply

Connect the microphone to the computer or external power with Type-C cable, it will be powered by the computer or the phone.

Mute Function

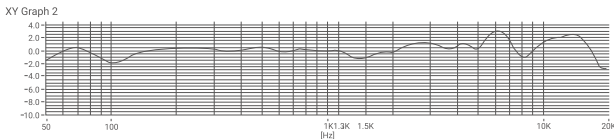
Short press the Mute Button  to mute/unmute. The LED will be red when muted and blue when unmuted, in each cases the microphone will not and will pick-up respectively.

Earphone Volume Adjustment

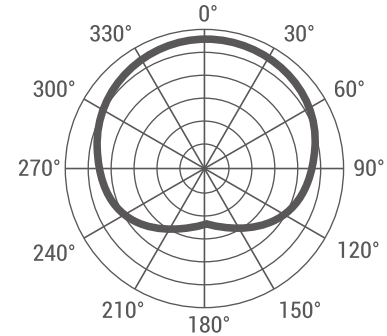
Press  button to increase the earphone volume until maximum.

Press  button to decrease the earphone volume until mute.

Frequency Response Diagram



Cardioid Directivity



Connection Guide

1. Connect microphone to computer with USB Data Cable.
2. Connect headphone or earphone to 3.5mm Audio Jack.
3. Connect microphone to mobile phone with Type-C to Type-C Data Cable.

Guide for Computer Recording

Windows Settings (take win10 as an example)

Step 1. Click Start and go Settings of computers

Step 2. Select Sound

Step 3. Select UMic10 Speaker

Mac OS Settings

Step 1. Click Recording Icon of Mac desktop

Step 2. Select Sound

Step 3. Select Microphone Output

Note: The above operation is based on the microphone already connected to computer.

Technical Data

Model	UMic10
Directivity	Unidirectional
Signal-to-Noise Ratio	>70dB
Impedance	50/80 OHM
Microphone Frequency Response	50Hz~20KHz
Microphone Sample Rate	48KHz at 24Bit
Microphone Sensitivity	-35±3dB(0dB=1V/Pa 1KHz)
Earphone Sample Rate	48KHz at 24Bit
Earphone Output Power	10mW/32Ω
Earphone Frequency Response	20Hz~20KHz
Power Consumption	5V/200mA (MAX)
USB Compatibility	USB1.1/USB2.0
Support Operating System	Win7/Win8/Win10 / Mac OS
Product Diameter	(Do not support Windows XP) 139.89*52*46.98mm
Microphone Weight	369g
Cantilever Bracket Weight	102g

Maintenance

Keep dry. This product is not water-proof. Malfunction, rust, and corrosion may occur and go beyond repair if soaked in water or exposed to high humidity.

Avoid sudden temperature changes. Condensation happens in sudden temperature changes such as the circumstance when taking the product out of a building with higher temperature to outside in winter. Please put the product in a handbag or plastic bag beforehand.

Keep away from strong magnetic field. The strong static or magnetic field produced by devices such as radio transmitters leads to malfunction.

FCC Caution

This device complies with part 15 of the FCC Rules. Operation is subject to the following two conditions:

- (1) This device may not cause harmful interference, and
- (2) this device must accept any interference received, including interference that may cause undesired operation.

Any Changes or modifications not expressly approved by the party responsible for compliance could void the user's authority to operate the equipment.

Note: This equipment has been tested and found to comply with the limits for a Class B digital device, pursuant to part 15 of the FCC Rules. These limits are designed to provide reasonable protection against harmful interference in a residential installation. This equipment generates uses and can radiate radio frequency energy and, if not installed and used in accordance with the instructions, may cause harmful interference to radio communications. However, there is no guarantee that interference will not occur in a particular installation. If this equipment does cause harmful interference to radio or television reception, which can be determined by turning the equipment off and on, the user is encouraged to try to correct the interference by one or more of the following measures:

- Reorient or relocate the receiving antenna.
- Increase the separation between the equipment and receiver.
- Connect the equipment into an outlet on a circuit different from that to which the receiver is connected.
- Consult the dealer or an experienced radio/TV technician for help.

产品保修

尊敬的用户，本保修卡是申请保修服务的重要凭证，请您配合销售商填写并妥善保管，谢谢！

产品信息	型号	产品条码
用户信息	姓名	联系电话
	通信地址	
销售商信息	名称	
	联系电话	
	通信地址	
	销售日期	
备注		

注：此表应由销售商盖章确认。

产品信息

本文件适用于相关《产品保修信息》(见后面说明)所列产品，其他非属此范围的产品或部件(如促销品、赠品及其他出厂后附加的部件等)不在此保修承诺内。

保修期

产品及部件的相应保修期按相关的《产品保修信息》执行。保修期自产品首次购买日起算，购买日以购买产品时保修卡登记日期为准。

如何获得保修服务

要保修服务，您可直接与产品销售商或授权服务机构联系，也可拨打神牛产品售后服务电话，与我们联系，由我们的服务人员为您安排服务。申请保修时，您应提供有效的保修卡作为保修凭证，方可获得保修。如您不能提供有效的保修卡，则在我们可确认产品或部件属于保修范围的情况下，也可以为您提供保修，但这不作为我们的义务。

不适用保修的情况

如产品存在下列情况，本文件项下的保证和服务将不适用 ① 产品或部件超过相应保修期；② 错误或不当使用、维护或保管导致的故障或损坏，如：不当搬运；非按产品合理预期用途使用；不当插拔外接设备；跌落或外力挤压；接触或暴露于不适当温度、溶剂、酸碱、水浸或潮湿环境；③ 由非神牛授权机构或人员安装、修理、更改、添加或拆卸造成的故障或损坏；④ 产品或部件原有识别信息被修改变更或删除；⑤ 无有效保修卡；⑥ 使用非法授权、非标准或非公开发行的软件造成的故障或损坏；⑦ 因不可抗力或意外事件造成的故障或损坏；⑧ 其他非因产品本身质量问题导致的故障或损坏。遇上述情况，您应向相关责任方寻求解决，神牛对此不承担任何责任。因非在保修期或保修范围内的部件、附件或软件导致产品不能正常使用的，不是保修范围内的故障。产品使用过程中正常的脱色，磨损和消耗，不是保修范围内的故障。

产品保修和服务支持信息

产品的保修期和服务类型按以下《产品保修信息》执行：

产品类别	选件名称	保修期(月)	保修服务类型
部件	电路板	12	客户送修
	电池	3	客户送修
	充电器、电源线，同步线等带电性能的部件	12	客户送修
其他	如电池盒、防风棉、防风毛罩、锁紧装置、手提绳、扎带、魔术贴、领夹、便携袋、包装等	无	无保修

神牛产品售后服务电话 0755-29609320-8062

Warranty

Dear customers, as this warranty card is an important certificate to apply for our maintenance service, please fill in the following form in coordination with the seller and safe-keep it. Thank you!

Product Information	Model	Product Code Number
Customer Information	Name	Contact Number
	Address	
Seller Information	Name	
	Contact Number	
	Address	
	Date of Sale	
Note		

Note: This form shall be sealed by the seller.

Applicable Products

The document applies to the products listed on the Product Maintenance Information (see below for further information). Other products or accessories (e.g. promotional items, giveaways and additional accessories attached, etc.) are not included in this warranty scope.

Warranty Period

The warranty period of products and accessories is implemented according to the relevant Product Maintenance Information. The warranty period is calculated from the day (purchase date) when the product is bought for the first time, and the purchase date is considered as the date registered on the warranty card when buying the product.

How to Get the Maintenance Service

If maintenance service is needed, you can directly contact the product distributor or authorized service institutions. You can also contact the Godox after-sale service call and we will offer you service. When applying for maintenance service, you should provide valid warranty card. If you cannot provide valid warranty card, we may offer you maintenance service once confirmed that the product or accessory is involved in the maintenance scope, but that shall not be considered as our obligation.

Inapplicable Cases

The guarantee and service offered by this document are not applicable in the following cases: ①. The product or accessory has expired its warranty period; ②. Breakage or damage caused by inappropriate usage, maintenance or preservation, such as improper packing, improper usage, improper plugging in/out external equipment, falling off or squeezing by external force, contacting or exposing to the improper temperature, solvent, acid, base, flooding and damp environments, etc; ③. Breakage or damage caused by non-authorized institution or staff in the process of installation, maintenance, alternation, addition and detachment; ④. The original identifying information of product or accessory is modified, alternated, or removed; ⑤. No valid warranty card; ⑥. Breakage or damage caused by using illegally authorized, nonstandard or non-public released software; ⑦. Breakage or damage caused by force majeure or accident; ⑧. Breakage or damage that could not be attributed to the product itself. Once met these situations above, you should seek solutions from the related responsible parties and Godox assumes no responsibility. The damage caused by parts, accessories and software that beyond the warranty period or scope is not included in our maintenance scope. The normal discoloration, abrasion and consumption are not the breakage within the maintenance scope.

Maintenance and Service Support Information

The warranty period and service types of products are implemented according to the following Product Maintenance Information:

Product Type	Name	Maintenance Period(month)	Warranty Service Type
Parts	Product Main Body	12	Customer sends the product to designated site
	Battery	3	Customer sends the product to designated site
	Charger, Power Cable, Sync Cable, Electrical Parts etc.	12	Customer sends the product to designated site
Other Items	Battery Case, Windscreen Foam, Wind Cap, Locking Device, Lanyard, Tie, Velcro Tape, Clip, Bag, Package etc.	No	Without warranty