

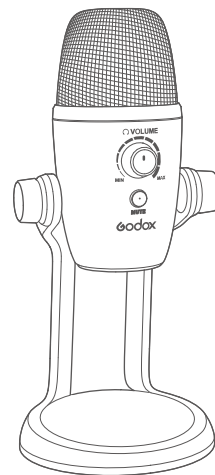


神牛摄影公众号
Godox Wechat Official Account

Godox

UMic82

USB台式多指向麦克风



说明书 | Instruction Manual

深圳市神牛摄影器材有限公司

地址: 深圳市宝安区福海街道塘尾社区耀川工业区厂房2栋
电话: 0755-29609320(8062) 传真: 0755-25723423 邮箱: godox@godox.com

GODOX Photo Equipment Co., Ltd.

Add: Building 2, Yaochuan Industrial Zone, Tangwei Community, Fuhai Street,
Bao'an District, Shenzhen 518103, China Tel: +86-755-29609320(8062)

Fax: +86-755-25723423 E-mail: godox@godox.com

godox.com

Made in China



前言

感谢购买神牛产品!

UMic82专为各种网络直播、视频录制、室内采访的音频收音而设计。

通用USB接口，直连智能手机或电脑使用，多场景应用，完美收音。

提供实用多指向性能：全指向、双指向、单指向、立体声。

根据不同需求开启不同的收音模式：直播录制开启全指向模式；

室内采访开启心型模式；视频录制开启图形8型模式；多轨录音开启立体声模式。

主要特点：

设计四种收音模式，满足不同的音质要求

硬朗坚固的金属材质制作，实用耐用

内置3个电容式咪头，精确捕获人声，高音嘹亮，低音深沉

可以连接各种类型的电脑，还能连接支持Type-C接口的手机

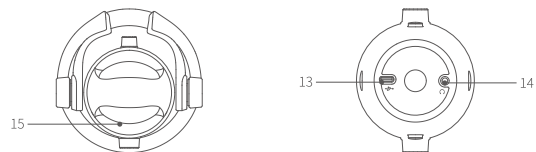
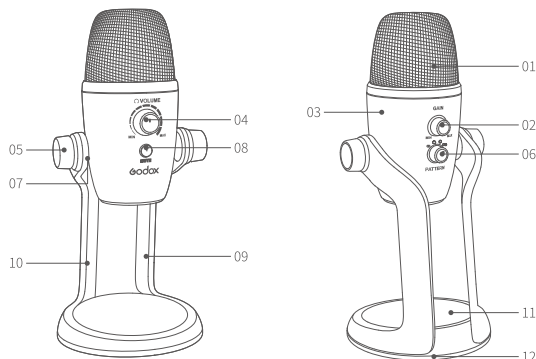
配置通用USB连接线和Type-C数据线，轻松连接电脑/手机，即插即用，兼容性高

设计防震桌面支架，话筒角度灵活可调，实现全方位灵敏收音

警告

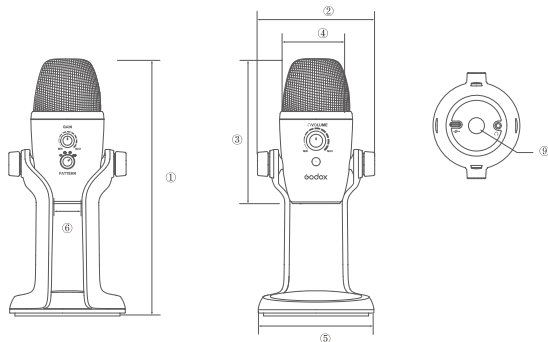
- ⚠ 请仔细阅读并遵守由厂商提供的警告或指示。
- ⚠ 麦克风是精密设备。请勿使其掉落或受到撞击，以避免发生故障。
- ⚠ 请勿让儿童接触本产品，以避免发生意外。
- ⚠ 请勿在易燃易爆环境中使用。在这些场合下，请注意相关警告标识。
- ⚠ 请勿放置在超过60度的高温环境中。此产品兼容市场上绝大部分Type-C接口主流机型。
- ⚠ 请保持干燥，请勿用湿手握持本产品，亦不可将产品浸入水中或暴露于雨中。
- ⚠ 请勿将本产品存放在阳光直射的地方、加热装置附近或者炎热、潮湿或多尘的地方。
- ⚠ 请勿私自拆卸、改装或尝试维修本产品。产品如出现故障须由本公司或授权的维修人员进行检查维修

产品结构



1. 网头
2. GAIN 旋钮
3. 机体
4. VOLUME 旋钮
5. 连接旋钮
6. PATTERN 旋钮
7. 转轴连接器
8. < 静音按钮
9. 底座支架 L
10. 底座支架 R
11. 底座
12. 脚垫
13. Type-c 插孔
14. 3.5mm 耳机插孔
15. 铭板

产品尺寸



项目	尺寸 (mm)
①	266.8
②	121.6
③	150.2
④	75.9
⑤	120.0
⑥	30.0
⑦	0.75
⑧	11
⑨	5/8

供电

麦克风只能从外接电源供电。将麦克风的输出连接器一端连接电脑或智能手机，一端连接麦克风便可操作使用。

增益调节

旋转< GAIN >选钮进行增益调节。向右旋转为增加，向左旋转为减少。旋转至最右为最大增益值，旋转至最左为最小增益值。增益调节范围为10档。

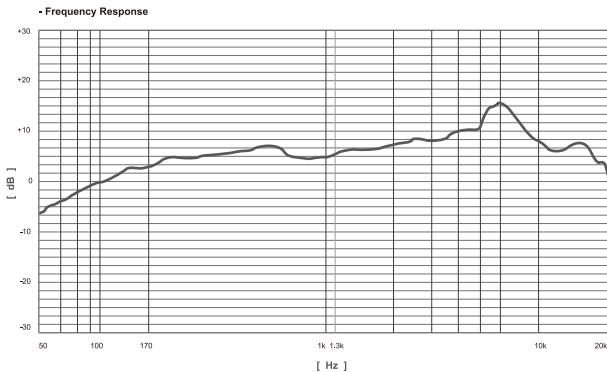
静音调节

短按< MUTE >静音按键开启或关闭静音模式。短按< MUTE >静音按键后，指示灯显示为红色，表示是开启静音模式。短按< MUTE >静音按键后，指示灯显示为蓝色，则是关闭静音模式。

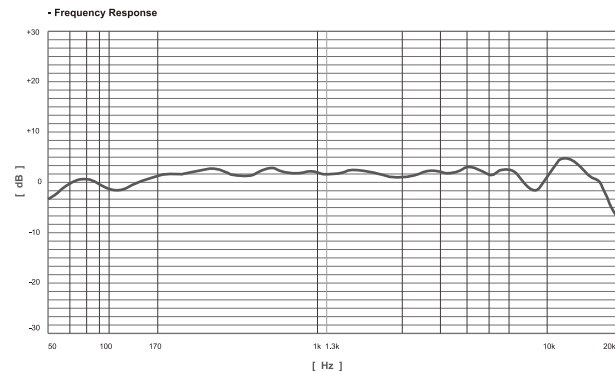
音量调节

旋转VOLUME旋钮进行音量调节。向右旋转音量增加，向左旋转音量减少。旋转至最右为最大音量值，旋转至最左为最小音量值。音量调节范围为10档。

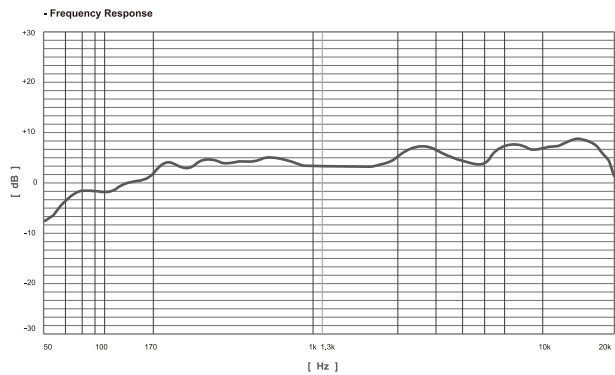
全指向



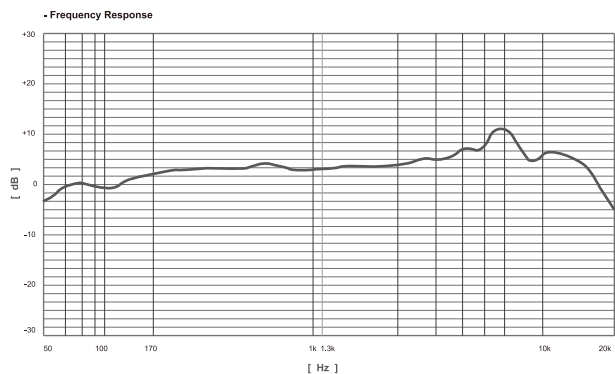
双指向



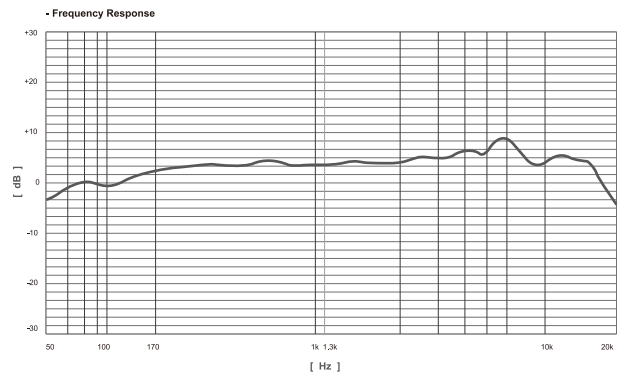
立体声(L声道)



立体声(R声道)



单指向



标配物品



USB麦克风×1



type-c转type-c数据线×1



Type-C转USB数据线×1



金属底座×1

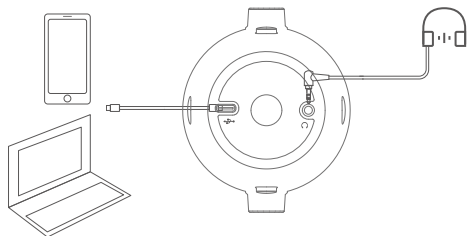


说明书×1



干燥剂×1

使用指导



- 1.通过Type-c USB插孔连接电脑与手机使用
- 2.通过3.5mm耳机插孔连接实时耳返耳机

连接电脑录音指导 Windows系统设置 (以win10为例)

- 第一：开始-设置
- 第二：选择声音
- 第三：选择扬声器UMic82

Mac OS苹果系统设置

- 第一-桌面的录音图标
 - 第二-选择声音
 - 第三-输出选择麦克风(看要不要配操作界面图)
- 注：上述操作基于已连接电脑。

规格参数

型号	UMic82
电源/功耗	5V200mA
拾音模式	全指向、心型、图形8型、立体声
信噪比	60-75 dB
实时监听	50/80 OHM
双指向灵敏度	-33dB ±3dB
全指向灵敏度	-33dB ±3dB
立体声R灵敏度	-33dB ±3dB
立体声L灵敏度	-33dB ±3dB
单指向灵敏度	-33dB ±3dB
直接监听	是

频响范围	50Hz-50KHz
最大声压级	>103dB SPL
麦克风采样率	48KHz at 24Bit
等效噪声级(A计权)	75dBA
接口	Type-c 插孔、3.5mm耳机插孔
耳机阻抗	32Ω
耳机扩音器功率输出	40mW
耳机扩音器频率响应	15Hz-20KHz
手机兼容性	兼容部分手机
支持操作系统	Win7/Win8/Win10 / Mac OS
尺寸	7.5cm*12.1cm*26.6cm
麦克风重量	932g

规格和参数如有变更,恕不另行通知。

维修保养

保持干燥!本产品是非防水产品,如果将其浸入水中或放置于高温度的环境中将可能发生故障。
内部构造生锈可能会导致无法修理的损害。
避免温度骤变!温度的突变, 诸如在寒冷天进出温暖的大楼将可能使产品内部结露。
为避免结露,请将本产品事先装入手提袋或塑料包内,以防温度突变。
远离强磁场!无线电广播发射机等设备产生的强静电或强磁场可能会干扰本产品正常工作。

Forward

Thank you for purchasing!

UMic82 is a multiple function USB microphone which is suitable for various webcasts, video recordings, indoor interviews and other occasions. Universal USB interface, directly connected to computer and some smart phones, it is plug and play. Provide practical multi-directional performance: omnidirectional, bidirectional, stereo (left and right). Select different pickup modes according to different scenes: omnidirectional mode for live recording; Cardioid mode for indoor interviews; Feature 8 mode for video recording; stereo mode for multi-track recording.

Please read this manual carefully before using to make sure the correct operation and exert the optimum function. Please keep the instruction manual for future reference.

Feature

Flexible Recording Options

Unidirectional, Omnidirectional, bidirectional and Stereo (left and right), 4 types of sounds picking up patterns freely to fit various occasions and applications.

Studio-Quality Audio Capture

The microphone supports resolutions up to 24-bit/48 kHz, which goes beyond broadcast quality to give you a set of performance specifications often used in studios.

With Great Compatibility

The microphone offers plug-and-play compatibility with computers system of XP, Win7, Win8, Win10, Mac OS and some smart phones.

Near-Zero Latency

The microphone offers near-zero latency monitoring. Simply plug your headphones into the mic's 3.5mm input, and you'll hear your high-quality audio in all its glory.

Adjustable Gain & Volume

Earphone volume and microphone gain can be precious controlled and adjusted, besides, instant mute key also provide extra conveniences.

Metal, Stable & Flexible

Metal body in elegant black color for luxury texture, with metal base mount offers stable and flexible applications.

Warning

⚠ This product belongs to high-precision instruments, please avoid falling, collision or pounding.

⚠ Do not disassemble. Should repairs become necessary, this product must be sent to an authorized maintenance center.

⚠ Always keep this product dry. Do not use in rain or in damp conditions.

⚠ Do not leave or store this product in the environment of direct sunlight, near heating devices, or in hot, humid or dusty.

⚠ Keep out of reach of children.

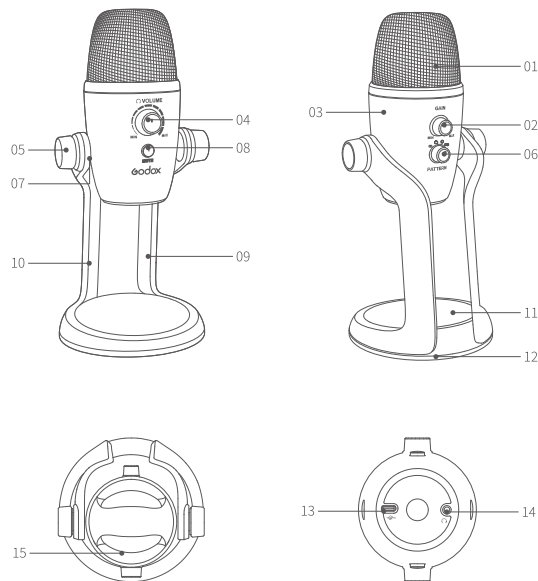
⚠ Do not use in flammable and explosive environments. Pay attention to the relevant warning signs.

⚠ Do not leave or store the product if the ambient temperature reads over 60 C.

⚠ Compatible with most mainstream models with Type-C interface on the market.

⚠ Please read carefully and follow the warnings or instructions provided by the manufacturer.

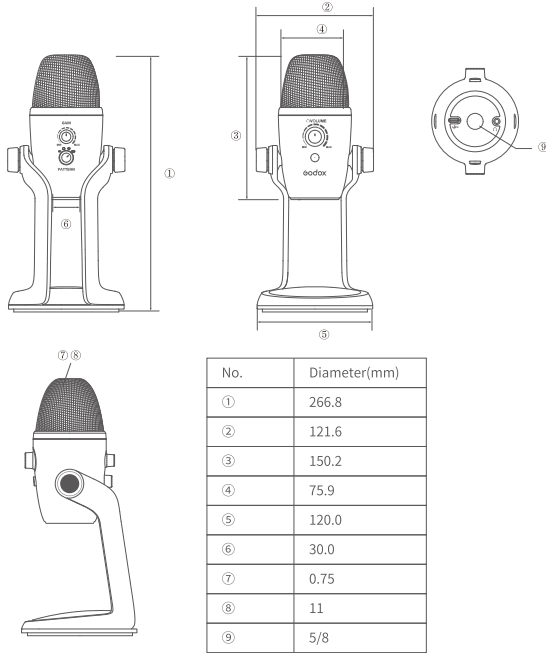
Name of Parts



1. Grill Assy
2. GAIN Knob
3. Body
4. VOLUME Knob
5. Connect Knob
6. PATTERN Knob
7. Hinge

8. < Mute Button
9. Base Holder L
10. Base Holder R
11. Base
12. Foot
13. Type-c USB Jack
14. 3.5mm Earphone Jack
15. Name Plate

Product Diameter



Power Supply

Connect the microphone to the computer or the power, and it will be powered by the computer or the phone. It is plug and play.

Gain Adjustment

Turn GAIN Knob to adjust microphone gain. Turn left to decrease the volume while right to increase. Volume adjustment in 10 levels.

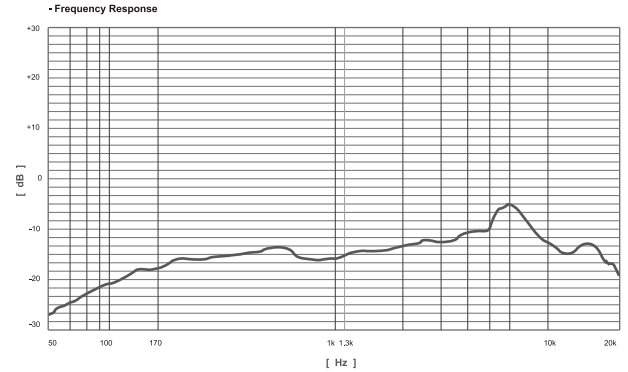
Mute Function

Short press the headphone <  > Mute Button to mute/unmute. The LED will be red when muted and blue when unmuted.

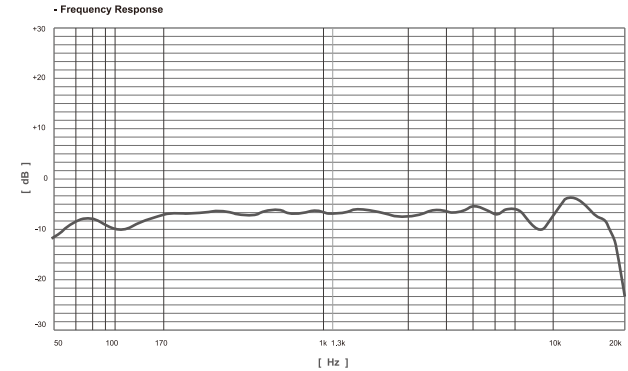
Volume Adjustment

Easily adjust headphone output by turning the VOLUME Knob. Turn left to decrease the volume while right to increase. Volume adjustment in 10 levels.

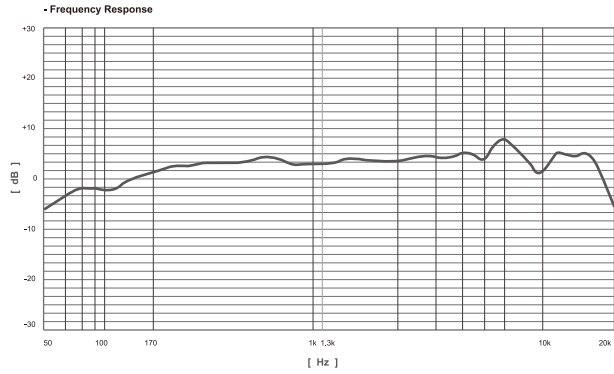
Omnidirectional



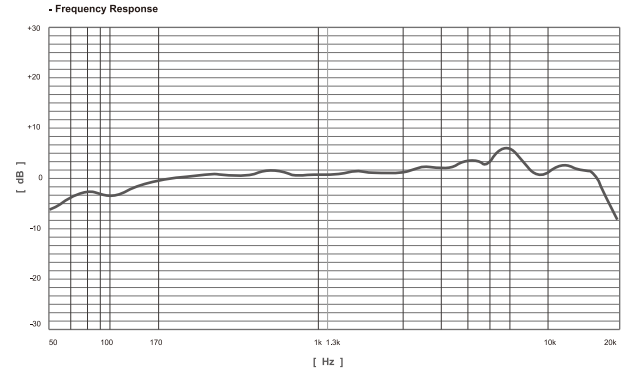
Bidirectional



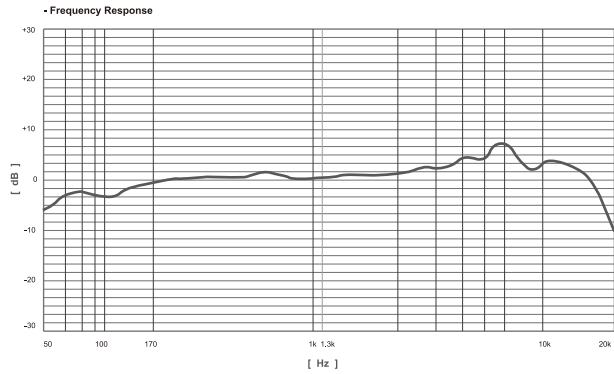
Stereo(left)



Unidirectional



Stereo (right)



What's in the Box



USB Microphone×1



Type-C to Type-C Data Cable×1



Type-C to USB Data Cable ×1



Metal Bracket×1

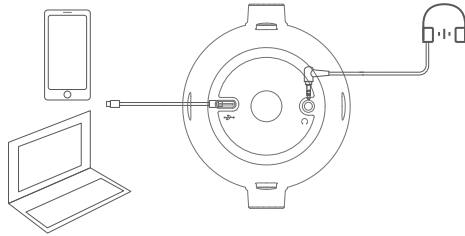


Instruction Manual(with Warranty)×1



Desiccant ×1

Connection Guide



1. Connect computer to Type-C USB jack.
2. Connect headphone or earphone to 3.5mm Audio Jack
3. Connect mobile phone to Type-C USB jack.

Guide for Computer Recording Windows OS Settings (take win10 as an example)

- Step 1. Click Start and go Settings of computers
Step 2. Select Sound
Step 3. Select UMic82 Speaker

Mac OS Settings

- Step 1. Click Recording Icon of Mac desktop
Step 2. Select Sound
Step 3. Select Microphone Output

Note: The above operation is based on the microphone already connected to computer.

Technique Data

Model	UMic82
Directivity	Unidirectional, Omnidirectional, / Bidirectional, Stereo
Power/Power Consumption	5V200mA
Signal-to-Noise Ratio	60-75dB
Real-time monitoring impedance	50/80 OHM
Bidirectional Sensitivity	-33dB±3dB
Omnidirectional Sensitivity	-33dB±3dB
Stereo (Right) Sensitivity	-33dB±3dB
Stereo (left) Sensitivity	-33dB±3dB
Unidirectional Sensitivity	-33dB±3dB
Direct Audio Monitor	Yes
Frequency Response	50Hz-50KHz
Maximum Sound Pressure Level	>103dB SPL
Microphone Sample Rate	48KHz at 24Bit
Equivalent Noise Level (A weighting)	75dBA
Interfaces	Type-c Jack, 3.5mm Earphone Jack
Impedance	32Ω
Headphone Amplifier Power Output	40mW
Headphone Amplifier Frequency Response	15Hz-20KHz
Mobile Phone Compatibility	Compatible with Some Mobile Phones
Support Operating System	Win7/Win8/Win10 / Mac OS
Diameter	7.5cm*12.1cm*26.6cm
Weight	932g

Specifications and data may subject to changes without notice.

Maintenance

- Avoid sudden drops. The device may fail to work after strong shocks, impacts, or excess stress.
- Keep dry. The product isn't water-proof. Malfunction, rust, and corrosion may occur and go beyond repair if soaked in water or exposed to high humidity.
- Avoid sudden temperature changes. Condensation happens if sudden temperature changes such as the circumstance when taking the product out of a building with higher temperature to outside in winter. Please put the product in a handbag or plastic bag beforehand.
- Keep away from strong magnetic field. The strong static or magnetic field produced by devices such as radio transmitters leads to malfunction.
- Changes made to the specifications or designs may not be reflected in this manual.

FCC Caution

This device complies with part 15 of the FCC Rules. Operation is subject to the following two conditions:

- (1) This device may not cause harmful interference, and
- (2) this device must accept any interference received, including interference that may cause undesired operation.

Any Changes or modifications not expressly approved by the party responsible for compliance could void the user's authority to operate the equipment.

Note: This equipment has been tested and found to comply with the limits for a Class B digital device, pursuant to part 15 of the FCC Rules. These limits are designed to provide reasonable protection against harmful interference in a residential installation. This equipment generates uses and can radiate radio frequency energy and, if not installed and used in accordance with the instructions, may cause harmful interference to radio communications. However, there is no guarantee that interference will not occur in a particular installation. If this equipment does cause harmful interference to radio or television reception, which can be determined by turning the equipment off and on, the user is encouraged to try to correct the interference by one or more of the following measures:

- Reorient or relocate the receiving antenna.
- Increase the separation between the equipment and receiver.
- Connect the equipment into an outlet on a circuit different from that to which the receiver is connected.
- Consult the dealer or an experienced radio/TV technician for help.

Declaration of Conformity :

GODOX Photo Equipment Co.,Ltd. hereby declares that this equipment are in compliance with the essential requirements and other relevant provisions of Directive 2014/30/EU. They are allowed to be used in all EU member states.

For more information of DoC, Please click this web link:
https://www.godox.com/DOC/Godox_UMIC82_DOC.pdf



产品保修

尊敬的用户,本保修卡是申请保修服务的重要凭证,请您配合销售商填写并妥善保管,谢谢!

产品信息	型号	产品条码
用户信息	姓名	联系电话
	通信地址	
销售商信息	名称	
	联系电话	
	通信地址	
	销售日期	
备注		

注:此表应由销售商盖章确认。

产品信息

本文件适用于相关《产品保修信息》(见后面说明)所列产品,其他非属此范围的产品或部件(如促销品、赠品及其他出厂后附加的部件等)不在此保修承诺内。

保修期

产品及部件的相应保修期按相关的《产品保修信息》执行。保修期自产品首次购买日起算,购买日以购买产品时保修卡登记日期为准。

如何获得保修服务

要保修服务,您可直接与产品销售商或授权服务机构联系,也可拨打神牛产品售后服务电话,与我们联系。由我们的服务人员为您安排服务。申请保修时,您应提供有效的保修卡作为保修凭证,方可获得保修。如您不能提供有效的保修卡,则在我们可确认产品或部件属于保修范围的情况下,也可以为您提供保修,但不作为我们的义务。

不适用保修的情况

如产品存在下列情况,本文件项下的保证和服务将不适用 ① 产品或部件超过相应保修期; ② 错误或不适当使用、维护或保管导致的故障或损坏,如:不当搬运;非按产品合理预期用途使用;不当插拔外接设备;跌落或外力挤压;接触或暴露于不适当温度、溶剂、酸碱、水浸或潮湿环境; ③ 由非神牛授权机构或人员安装、修理、更改、添加或拆卸造成的故障或损坏; ④ 产品或部件原有识别信息被修改改变或删除; ⑤ 无有效保修卡; ⑥ 使用非合法授权、非标准或非公开发行的软件造成的故障或损坏; ⑦ 因不可抗力或意外事件造成的故障或损坏; ⑧ 其他非因产品本身质量问题导致的故障或损坏。遇上述情况,您应向相关责任方寻求解决,神牛对此不承担任何责任。因非在保修期或保修范围内的部件、附件或软件导致产品不能正常使用的,不是保修范围内的故障。产品使用过程中正常的脱色,磨损和消耗,不是保修范围内的故障。

产品保修和服务支持信息

产品的保修期和服务类型按以下《产品保修信息》执行:

产品类别	选件名称	保修期(月)	保修服务类型
部件	电路板	12	客户送修
	电池	3	客户送修
	充电器、电源线,同步线等带电性能的部件	12	客户送修
其他	如电池盒、防风棉、防风毛罩、锁紧装置、手提绳、扎带、魔术贴、领夹、便携袋、包装等	无	无保修

神牛产品售后服务电话 0755-29609320-8062

Warranty

Dear customers, as this warranty card is an important certificate to apply for our maintenance service, please fill in the following form in coordination with the seller and safe-keep it. Thank you!

Product Information	Model	Product Code Number
	Name	Contact Number
Customer Information	Address	
Seller Information	Name	
	Contact Number	
	Address	
	Date of Sale	
Note		

Note: This form shall be sealed by the seller.

Applicable Products

The document applies to the products listed on the Product Maintenance Information (see below for further information). Other products or accessories (e.g. promotional items, giveaways and additional accessories attached, etc.) are not included in this warranty scope.

Warranty Period

The warranty period of products and accessories is implemented according to the relevant Product Maintenance Information. The warranty period is calculated from the day (purchase date) when the product is bought for the first time, and the purchase date is considered as the date registered on the warranty card when buying the product.

How to Get the Maintenance Service

If maintenance service is needed, you can directly contact the product distributor or authorized service institutions. You can also contact the Godox after-sale service call and we will offer you service. When applying for maintenance service, you should provide valid warranty card. If you cannot provide valid warranty card, we may offer you maintenance service once confirmed that the product or accessory is involved in the maintenance scope, but that shall not be considered as our obligation.

Inapplicable Cases

The guarantee and service offered by this document are not applicable in the following cases: ①. The product or accessory has expired its warranty period; ②. Breakage or damage caused by inappropriate usage, maintenance or preservation, such as improper packing, improper usage, improper plugging in/out external equipment, falling off or squeezing by external force, contacting or exposing to the improper temperature, solvent, acid, base, flooding and damp environments, etc; ③. Breakage or damage caused by non-authorized institution or staff in the process of installation, maintenance, alternation, addition and detachment; ④. The original identifying information of product or accessory is modified, alternated, or removed; ⑤. No valid warranty card; ⑥. Breakage or damage caused by using illegally authorized, nonstandard or non-public released software; ⑦. Breakage or damage caused by force majeure or accident; ⑧. Breakage or damage that could not be attributed to the product itself. Once met these situations above, you should seek solutions from the related responsible parties and Godox assumes no responsibility. The damage caused by parts, accessories and software that beyond the warranty period or scope is not included in our maintenance scope. The normal discoloration, abrasion and consumption are not the breakage within the maintenance scope.

Maintenance and Service Support Information

The warranty period and service types of products are implemented according to the following

Product Maintenance Information:

Product Type	Name	Maintenance Period(month)	Warranty Service Type
Parts	Product Main Body	12	Customer sends the product to designated site
	Battery	3	Customer sends the product to designated site
	Charger, Power Cable, Sync Cable, Electrical Parts etc.	12	Customer sends the product to designated site
Other Items	Battery Case, Windscreen Foam, Wind Cap, Locking Device, Lanyard, Tie, Velcro Tape, Clip, Bag, Package etc.	No	Without warranty

Godox After-sale Service Call 0755-29609320-8062