

MA11

HIGH RISE SHOWER ARM

meir®



FEATURES

- Refer to the Meir website for warranty terms & conditions, and available finishes.
- Solid brass construction
- 68mm long 1/2" threaded adapter included

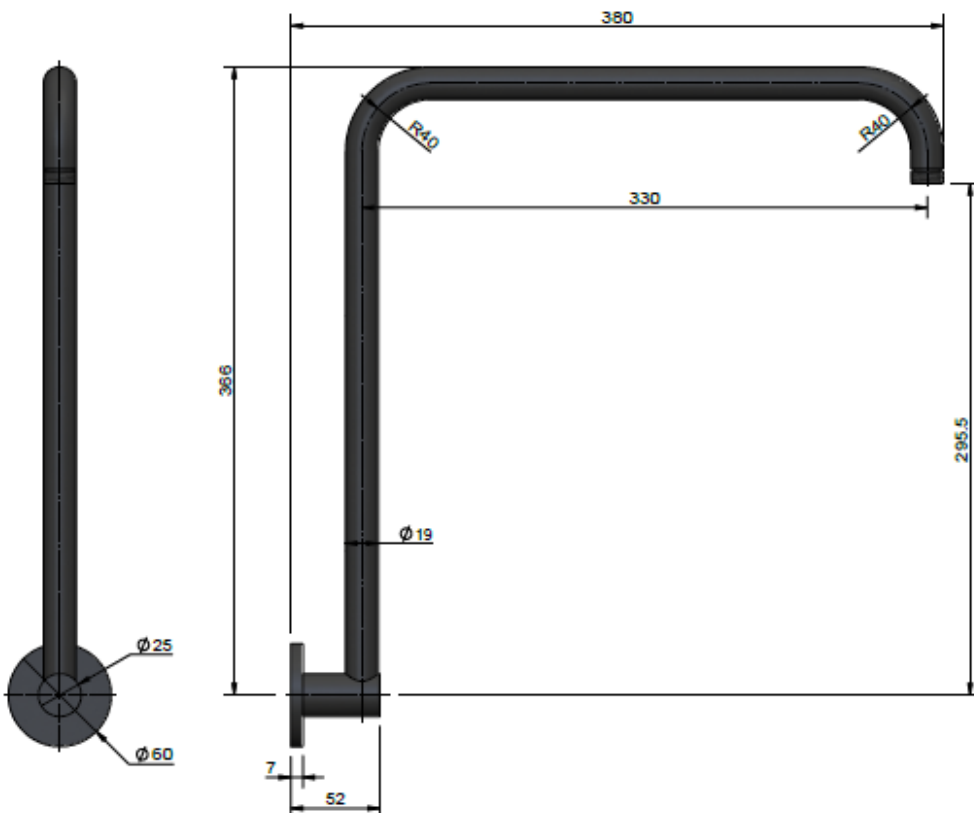
CARE

- Do not install tapware using any form of acetone silicones.
- Do not apply physical items (such as tools) directly to product.
- Never use house-hold or commercial detergents, citrus based cleaners, or abrasive cleaners.
- Clean using a mild washing soap solution rinsed, and dry with a soft cloth.
- Check for any product defects before installation.
- Refer to the installation manual for correct installation.

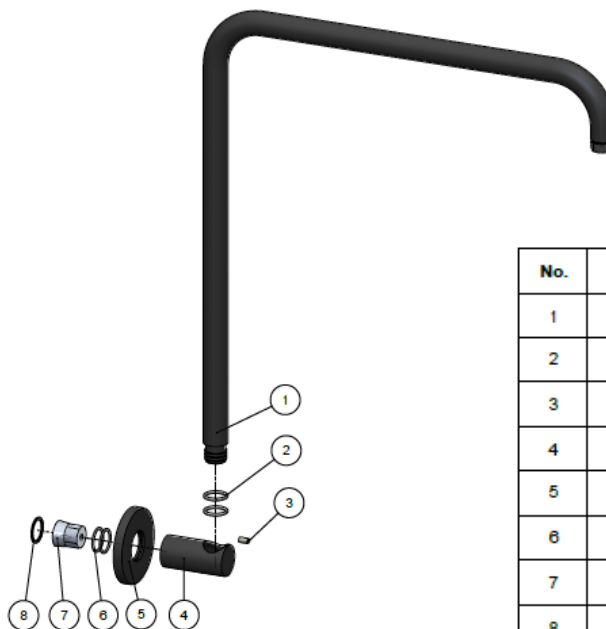
CREDENTIALS

- Watermark AS/NZS3718WMKA25013

SPECIFICATIONS



EXPLODED VIEW



No.	Part Name
1	Shower arm
2	O-ring
3	Screw
4	Wall base
5	Back plate
6	O-ring
7	Connector
8	Flat washer