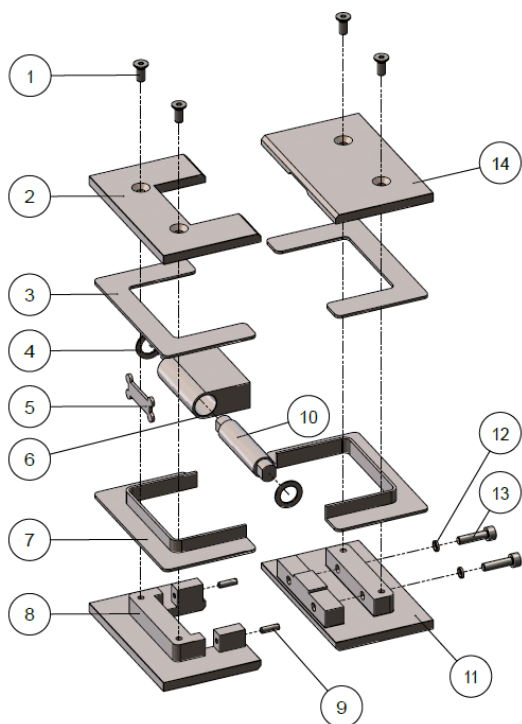


MGA01N

Glass-to-Glass Shower Door Hinge

meir®

EXPLODED VIEW



No.	Part Name	Qty
1	Screw	4
2	Blind Flange	1
3	Gasket	2
4	Gasket	2
5	Gasket	1
6	Cross-Linked Body	1
7	Gasket	2
8	Baseboard	1
9	Screw	2
10	Bearing	1
11	Baseboard	1
12	Spring Washer	2
13	Screw	2
14	Blind Flange	1

CARE

- Do not install tapware using any form of acetone silicones.
- Do not apply physical items (such as tools) directly to product.
- Never use house-hold or commercial detergents, citrus based cleaners, or abrasive cleaners.
- Clean using a mild washing soap solution rinsed, and dry with a soft cloth.
- Check for any product defects before installation.
- Refer to the installation manual for correct installation.

FEATURES

- Refer to the Meir website for warranty terms & conditions, and available finishes.
- Solid brass construction
- For 8mm or 10mm glass thickness.

SPECIFICATIONS

