

# **BULL**®

**THE LAST GRILL YOU'LL EVER BUY**

**CATALOGUE 2020**



**Department****Email**

General Enquiries	info@bullbbq.eu
Technical Enquiries	service@bullbbq.eu
Accounts Enquiries	accounts@bullbbq.eu
Sales Enquiries	trade@bullbbq.eu
Documentation Enquiries	documentation@bullbbq.eu
Operations Enquiries	operations@bullbbq.eu
Marketing Enquiries	marketing@bullbbq.eu

**Phones**

General Enquiries	+356 9979 2077
Sales Enquiries	+44 (0) 7834 361170
Servicing Enquiries	+356 2279 2077



**Bull Europe Limited Postal Address:**

**"Zamco Building" - Mill Street - Qormi - QRM3103 - Malta**

ABOUT BULL



BECOME A DEALER



BULL DEALER LOCATION



RELIABULL



CONTACT INFO	PAGE 2
TABLE OF CONTENTS	PAGE 3
KNOW BULL	PAGE 4
BULL EUROPE TIMELINE	PAGE 5
WHY BULL?	PAGE 6-7
BULL GRILLS	PAGE 8-25
OVERVIEW	PAGE 9
CARTS / BUILT-IN	PAGE 10-21
GRILL ENHANCEMENTS	PAGE 22-23
COVERS	PAGE 24-25
BULL PIZZA OVENS	PAGE 26-31
PIZZA OVENS	PAGE 27-30
COVERS	PAGE 31
COMPONENTS	PAGE 32-45
OUTDOOR KITCHENS	PAGE 46-61
OUTDOOR BARS	PAGE 62-63
OUTDOOR FIRE TABLES	PAGE 64
OUTDOOR KITCHEN FINISHES	PAGE 65-67
PIZZA ACCESSORIES	PAGE 68-69
GRILLING ACCESSORIES	PAGE 70-79
CARE AND MAINTANANCE	PAGE 80-82
PROMOTIONAL ITEMS	PAGE 83



For most people, tinkering with and testing an open flame grill in your garage is not a good idea. But Mark Nureddine is not most people. And his efforts with a grill in a closed environment were the genesis to a company that would become one of the leading manufacturers of grill islands in the world. Under Nureddine's direction and leadership for almost three decades, Bull Outdoor Products has grown to provide grills, islands and accessories to over 900 dealers and distributors throughout North America, as well as 15 countries. From a garage to countless backyards around the world, Bull Outdoor Products are now the gold standard when it comes to unBulleivable outdoor cooking.



**Bull Outdoor Products President, Mark Nureddine**

**KNOW QUALITY**

Bull's award-winning grills are designed, engineered, and master-crafted to meet certifications from CSA and CE, which means anyone with a Bull grill can take comfort in knowing that they're cooking with the highest quality, premium grill on the market.

**KNOW COMMITMENT**

It's not enough to just say you're committed, Bull backs it up. From the 304-2mm stainless steel used on every grill to the Lifetime Warranty\* that covers fire boxes and cooking grates, Bull is committed to going the extra mile to provide you the ultimate outdoor cooking experience.

**KNOW SERVICE**

Strong continuing growth has led to the new Bull Global Headquarter in Lodi, CA. This 50,000 sq. ft. stocking warehouse/showroom increases Bull's footprint in the western states, and compliments Bull's production/service facilities in Rialto, CA and Athens, TN.

Bull provides a premium outdoor cooking experience that is manufactured with the highest quality materials. Bull maintains a complete in-house parts department with knowledgeable specialists available to answer any question imaginable. When you purchase a Bull Outdoor product, not only will you know it is made with expert precision, but you'll have Bull's dependable and responsive service department waiting to assist you.

Fact is, when you purchase a premium Bull grill, you're getting a commitment to the highest-quality product and reliable service in the market. Period. Our grills and components are built to last a lifetime and that's why we guarantee that your Bull grill will be the last one you ever purchase.

*\* Specific warranty details provided with each Bull product*

And that's exactly why we say ...

**Know Bull.**



- 2013 — An A.G. investments subsidiary, AGP Systems Ltd. of A.G. becomes the 1st Bull active dealer in Malta. Established since 1995 and having gathered extensive experience in design, installation and servicing of catering equipment, the Bull brand quickly made its way into the Maltese market. Bull Inc. were encouraged to invest in an European Distribution Project.
- 2014 — The two companies meet for the 1st time in Bull HQ, Rialto CA. An agreement was reached to set up a Distribution hub jointly to serve the EMEA region. As Bull are renowned for their Deliverable Quality Outdoor Kitchens, the construction of these was undertaken by the manufacturing arm of the AGI Group in Malta, Zamco Caterware Ltd. (Est.1975). It's existing plant in Malta and experience in the industry, could guarantee that Bull Outdoor Kitchens produced would be up to the standard expected from the Bull brand.
- 2015 — **Bull Europe was established.**  
The Bull Outdoor Kitchens Team in Malta manufactured it's first Outdoor Kitchens. The Deliverable Outdoor Kitchen concept was a huge success and a numberable standard and custom kitchens were installed in various locations in Malta. Bull Europe sponsors the Duke of Edinburgh Award and is presented a recognition award in the presence of HRH The Duke of Edinburgh.  
  
Bull Europe hosts the first group of candidate Authorised Dealers from Europe in Malta. Many Dealers sign up immediately.
- 2016 — Extensive changes were made to the CE grills and new components were developed by Bull for the EMEA markets.  
Bull Europe sets up at Spoga Gafa in Cologne for the 1st time. Bull was the only booth presenting the Plug & Play Outdoor Kitchen Concept. This gave the company a huge boost and helped the European Distribution Network grow very rapidly.
- 2017 — The Bull Team in Malta mastered the art of working with Solid Ceramic Large format tile known as Gres and are able to clad entire Outdoor Kitchen Counters and Bases.  
**EMEA Sales Doubled.**
- 2018 — In Spoga Gafa 2018, Bull Europe amazed visitors with it's contemporary European style finishes. Bull Europe's distribution network expanded to 25 countries with 11 distributors and over 80 dealers throughout the EMEA.  
Warehousing facilities in Malta increased to 1000 sq. mts.
- 2019 — The Bull Europe Team is enhanced with substantial investment in human resources on the manufacturing floor, logistics, sales, marketing and after-sales service. The Outdoor Kitchen manufacturing facility is doubled in area to cope with the increasing demand.



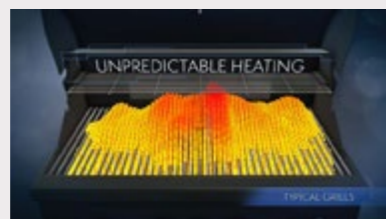
# RELIABULL

TECHNOLOGY BY BULL OUTDOOR PRODUCTS

When you buy a grill, don't you think you should be able to use the whole thing? At Bull Outdoor, we think so. That's why, with the help of the engineering experts at California Polytechnic, we created the ReliaBULL technology.

### A TYPICAL GRILL:

Typical grills feature unpredictable heating across the surface.



### WITH OUR RELIABULL TECHNOLOGY:

We have eliminated uneven heating on your grill, making your outdoor grilling experience extraordinary.



This new technology improves heat distribution on your grill by 50%.

The ReliaBULL flame tamers create a more even grilling surface, eliminating hot and cold spots, so that you can use your entire grilling surface.



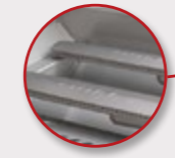
TAKE A CLOSE LOOK AT THE LAST GRILL HEAD YOU WILL EVER PURCHASE



Stainless Steel - Dual Lined Hood



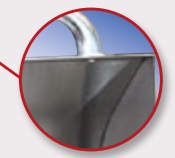
Twin Lighting System



Stainless Steel - Cast Burner Bars



LED Light Switch, Piezo Igniters & Zinc Knobs on every valve



2mm Stainless Steel 304



Stainless Steel - Single Piece Hood



Rotisserie & Rotisserie Burner



304 Stainless Steel - 8mm Solid Cooking Grates

### ANGUS GRILL HEAD













Bull is so confident in its fabulous line-up of premium outdoor grills that Lifetime Warranties\* come standard on all fire boxes, cooking grates and on all cast stainless steel burners.

With ten durable grill heads to choose from, Bull has the perfect grill just for you.

\* Specific warranty details provided with each Bull product.





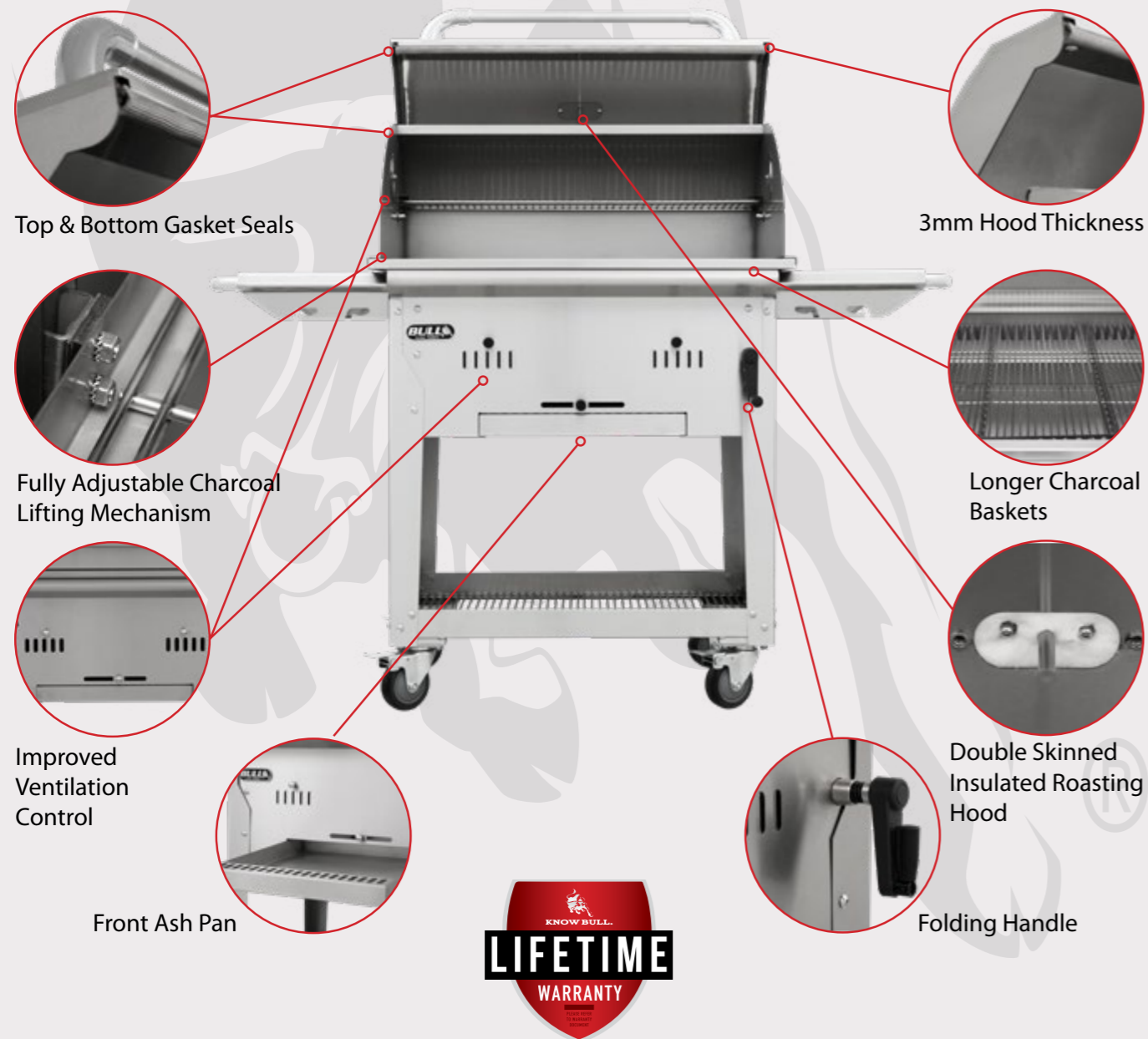
				
STANDARD FEATURES	BISON	PLANCHA	STEER	LONESTAR
Cooking Power -kWh	Charcoal	13.00 kWh	13.00 kWh	17.60 kWh
Burners		3 - Welded S/Steel Bar Burners	3 - Welded S/Steel Bar Burners	4 - Welded S/Steel Bar Burners
Rotisserie Kit	✗	✗	✗	✗
Cast Stainless Steel Double Side Burners	✗	Optional #60010CE Side Kick Side Burner	Optional #60010CE Side Kick Side Burner	Optional #60010CE Side Kick Side Burner
Stainless Steel 304 Gauge	1.70-3.00mm	1.60mm	1.60mm	2.00mm
Solid Stainless Steel Grates	✓	Chromium Plated Griddle	✓	✓
Lights	✗	✗	✗	✓
Lower Cooking Surface Upper Cooking Rack	76cm x 49cm 76cm x 18cm	57cm x 44cm	60cm x 49cm 60cm x 18cm	76cm x 49cm 76cm x 18cm
				
STANDARD FEATURES	ANGUS	BRAHMA	DIABLO	7 BURNER
Cooking Power -kWh	22.00 kWh	26.40 kWh	31.00 kWh	31.00 kWh
Burners	4 - Cast S/Steel Bar Burners	5 - Cast S/Steel Bar Burners	6 - Cast S/Steel Bar Burners	4 - Cast S/Steel Bar Burners
Rotisserie Kit	✓	✓	✓	✓
Cast Stainless Steel Double Side Burners	Optional #60010CE Side Kick Side Burner	Optional #60010CE Side Kick Side Burner	Optional #60010CE Side Kick Side Burner	✓
Stainless Steel 304 Gauge	2.00mm	2.00mm	2.00mm	2.00mm
Solid Stainless Steel Grates	✓	✓	✓	✓
Lights	✓	✓	✓	✓
Lower Cooking Surface Upper Cooking Rack	76cm x 49cm 76cm x 18cm	97cm x 49cm 97cm x 18cm	115cm x 49cm 115cm x 18cm	76cm x 49cm 76cm x 18cm





## NEW BISON CHARCOAL GRILL

The New Bison Charcoal Grill has been totally re-engineered for greater performance. The new air vent system and gasket features allows for even greater temperature control with the ability to precisely regulate the oxygen flow into the firebox. The brand new roasting hood is now insulated to achieve greater temperature stability. Now you can set up the Bull Bison for slow and low cooking, or crank it up to get that steak house quality sear on your steaks and chops.



## BISON CHARCOAL CART



## BISON CHARCOAL BUILT-IN



The Bison Grill is constructed of high quality 304 stainless steel, the Bison has an adjustable charcoal basket to set the level of direct heat when grilling. There is a distinct flavour you can only get when using charcoal and along with the Bison and Bull's Competition Blend Charcoal (#66538 sold separately) you can achieve that authentic backyard BBQ taste that will make you the grill master in your neighbourhood.



Standard Features	
<b>Bison Cart</b>	#88000
<b>Bison Built - In</b>	#88787
Recommended Use	Commercial Residential
Cooking Power-kWh	Charcoal
Burners	×
Infrared Back Burner	×
Cast Stainless Steel Double Side Burners	×
Piezo Igniter	×
Zinc Knobs	×
Stainless Steel 304 Gauge	3.00 mm
Single Piece SS Dual Lined Hood	✓
Solid Stainless Steel Grates	✓
Heavy Duty Thermometer	✓
Solid S/Steel Warming Rack	✓
Stainless Steel Rotisserie Motor	×
Stainless Steel Grease Tray	×
Stainless Steel Side Shelves	✓
Twin Lighting System	×
SS 304 Double Door Storage Cart	×
SS 304 Door/Drawer Storage Cart	×
Heavy Duty Castors	✓
CSA Certified	✓
CE Certified	✓
Lower Cooking Surface	76 x 49 cm
Upper Cooking Surface	76 x 18 cm
Warranty Details	
Fire Box & Roasting Hood	Lifetime
Cooking Grates	Lifetime
Burners	×
Flame Tamers	×
Grill	Packing Dimensions
Grill Carton Length	87 cm
Grill Carton Width	70 cm
Grill Carton Height	73.5 cm
Grill Carton Cube	0.45 M <sup>3</sup>
Grill Carton Weight	55.00 Kg
Cart Bottom	Packing Dimensions
Cart Carton Length	80 cm
Cart Carton Width	53 cm
Cart Carton Height	18 cm
Cart Carton Cube	0.76 M <sup>3</sup>
Cart Carton Weight	20.00 Kg

Standard Features	
<b>Steer Cart</b>	#69101CE-LPG #69102CE-NG
<b>Steer Built - In</b>	#69008CE-LPG #69009CE-NG
Recommended Use	Commercial Residential
Cooking Power-kWh	13.00 kWh
Burners	3-Welded S/Steel Bar Burners
Infrared Back Burner	✗
Cast Stainless Steel Double Side Burners	Optional #60010CE Side Kick Side Burner
Piezo Igniter	✓
Zinc Knobs	✓
Stainless Steel 304 Gauge	1.60 mm
Single Piece SS Dual Lined Hood	✓
Solid Stainless Steel Grates	✓
Heavy Duty Thermometer	✓
Solid S/Steel Warming Rack	✓
Stainless Steel Rotisserie Motor	✗
Stainless Steel Grease Tray	✓
Stainless Steel Side Shelves	✓
Twin Lighting System	✗
SS 304 Double Door Storage Cart	✓
SS 304 Door/drawer Storage Cart	✗
Heavy Duty Castors	✓
CSA Certified	✓
CE Certified	✓
Lower Cooking Surface	60 x 49 cm
Upper Cooking Surface	60 x 18 cm
Warranty Details	
Fire Box & Roasting Hood	Lifetime
Cooking Grates	Lifetime
Burners	5 Years
Flame Tamers	5 Years
Grill Packing Dimensions	
Grill Carton Length	70 cm
Grill Carton Width	63 cm
Grill Carton Height	62 cm
Grill Carton Cube	0.27 M <sup>3</sup>
Grill Carton Weight	48.00 Kg
Cart Bottom Packing Dimensions	
Cart Carton Length	56 cm
Cart Carton Width	58 cm
Cart Carton Height	69 cm
Cart Carton Cube	0.22 M <sup>3</sup>
Cart Carton Weight	26.00 Kg

STEER CART



STEER BUILT-IN



The Steer Grill Cart has doors in the front that allow easy access to your propane tank or other items you want to store. It also provides adequate food preparation space on s/steel shelves on either side of the grill.

Standard Features	
<b>Plancha Grill Cart</b>	#73008CE-LPG #73009CE-NG
Requires #97021 Cart Conversion Kit	
<b>Plancha/Griddle Built-in</b>	#97008CE-LPG #97009CE-NG
Recommended Use	Commercial Residential
Cooking Power-kWh	13.00 kWh
Burners	3-Welded S/Steel Bar Burners
Infrared Back Burner	✗
Cast Stainless Steel Double Side Burners	Optional #60010CE Side Kick Side Burner
Piezo Igniter	✓
Zinc Knobs	✓
Stainless Steel 304 Gauge	1.60 mm
Single Piece SS Dual Lined Hood	✓
Solid Stainless Steel Grates	Chrome Plated Griddle
Heavy Duty Thermometer	✗
Solid S/Steel Warming Rack	✗
Stainless Steel Rotisserie Motor	✗
Stainless Steel Grease Tray	✓
Stainless Steel Side Shelves	✓
Twin Lighting System	✗
SS 304 Double Door Storage Cart	✓
SS 304 Door/Drawer Storage Cart	✗
Heavy Duty Castors	✓
CSA Certified	✓
CE Certified	✓
Lower Cooking Surface	57 x 44cm
Upper Cooking Surface	✗
Warranty Details	
Fire Box & Roasting Hood	Lifetime
Cooking Grates	1 Year
Burners	5 Years
Flame Tamers	✗
Grill Packing Dimensions	
Grill Carton Length	69 cm
Grill Carton Width	65 cm
Grill Carton Height	50 cm
Grill Carton Cube	0.23 m <sup>3</sup>
Grill Carton Weight	63.00 Kg
Cart Bottom Packing Dimensions	
Cart Carton Length	56 cm
Cart Carton Width	58 cm
Cart Carton Height	69 cm
Cart Carton Cube	0.22 M <sup>3</sup>
Cart Carton Weight	28.00 Kg

PLANCHA CART



PLANCHA BUILT-IN



The Bull Commercial Style Stainless Steel Griddle is a perfect addition to your outdoor kitchen. A chromium plated cook top sits upon three stainless steel burners that pump out 13 kWh of cooking power. From fajitas to pancakes, the food preparation possibilities are virtually endless.



Standard Features	
<b>Outlaw Cart</b>	#26001CE-LPG #26002CE-NG
<b>Outlaw Built-In</b>	#26038CE-LPG #26039CE-NG
Recommended Use	Commercial Residential
Cooking Power-kWh	17.60 kWh
Burners	4-Cast Iron Porcelain Coated
Infrared Back Burner	✗
Cast Stainless Steel Double Side Burners	Optional #60010CE Side Kick Side Burner
Piezo Igniter	✓
Zinc Knobs	✓
Stainless Steel 304 Gauge	2.00 mm
Single Piece SS Dual Lined Hood	✓
Solid Stainless Steel Grates	✓
Heavy Duty Thermometer	✓
Solid S/Steel Warming Rack	✓
Stainless Steel Rotisserie Motor	✗
Stainless Steel Grease Tray	✓
Stainless Steel Side Shelves	✓
Twin Lighting System	✗
SS 304 Double Door Storage Cart	✓
SS 304 Door/Drawer Storage Cart	✗
Heavy Duty Castors	✓
CSA Certified	✓
CE Certified	✓
Lower Cooking Surface	76 x 49 cm
Upper Cooking Surface	76 x 18 cm
Warranty Details	
Fire Box & Roasting Hood	Lifetime
Cooking Grates	Lifetime
Burners	2 Years
Flame Tamers	5 Years
Grill Packing Dimensions	
Grill Carton Length	86 cm
Grill Carton Width	66 cm
Grill Carton Height	63 cm
Grill Carton Cube	0.36 M <sup>3</sup>
Grill Carton Weight	60.00 Kg
Cart Bottom Packing Dimensions	
Cart Carton Length	84 cm
Cart Carton Width	58 cm
Cart Carton Height	59 cm
Cart Carton Cube	0.29 M <sup>3</sup>
Cart Carton Weight	33.50 Kg

OUTLAW CART



OUTLAW BUILT-IN



The 76cm Outlaw Cart is a wonderful gas grilling option for the value minded customer who does not want to give up massive cooking power. The cart offers good storage underneath the grill and stainless steel side shelves for food preparation.

Standard Features	
<b>Lonestar Cart</b>	#87001CE-LPG #87002CE-NG
<b>Lonestar Built-In</b>	#87048CE-LPG #87049CE-NG
Recommended Use	Commercial Residential
Cooking Power-kWh	17.60 kWh
Burners	4-Welded S/Steel Bar Burners
Infrared Back Burner	✗
Cast Stainless Steel Double Side Burners	Optional #60010CE Side Kick Side Burner
Piezo Igniter	✓
Zinc Knobs	✓
Stainless Steel 304 Gauge	2.00 mm
Single Piece SS Dual Lined Hood	✓
Solid Stainless Steel Grates	✓
Heavy Duty Thermometer	✓
Solid S/Steel Warming Rack	✓
Stainless Steel Rotisserie Motor	✗
Stainless Steel Grease Tray	✓
Stainless Steel Side Shelves	✓
Twin Lighting System	✓
SS 304 Double Door Storage Cart	✓
SS 304 Door/Drawer Storage Cart	✗
Heavy Duty Castors	✓
CSA Certified	✓
CE Certified	✓
Lower Cooking Surface	76 x 49 cm
Upper Cooking Surface	76 x 18 cm
Warranty Details	
Fire Box & Roasting Hood	Lifetime
Cooking Grates	Lifetime
Burners	5 Years
Flame Tamers	5 Years
Grill Packing Dimensions	
Grill Carton Length	86 cm
Grill Carton Width	66 cm
Grill Carton Height	63 cm
Grill Carton Cube	0.36 M <sup>3</sup>
Grill Carton Weight	58.00 Kg
Cart Bottom Packing Dimensions	
Cart Carton Length	84 cm
Cart Carton Width	58 cm
Cart Carton Height	59 cm
Cart Carton Cube	0.29 M <sup>3</sup>
Cart Carton Weight	33.50 Kg

LONESTAR CART



LONESTAR BUILT-IN



This Grill is a 4-Burner Stainless Steel Gas Barbecue Grill. It has extra storage for a propane tank or other grilling necessities and its food prep areas on either side of the grill leave plenty of room to serve your favourite dishes.





Standard Features	
<b>Renegade Cart</b>	#32300CE-LPG #32301CE-NG
<b>Renegade Built-In</b>	#32368CE-LPG #32369CE-NG
Recommended Use	Commercial Residential
Cooking Power-kWh	22.00 kWh
Burners	5-Cast Iron Porcelain Coated
Infrared Back Burner	✗
Cast Stainless Steel Double Side Burners	Optional #60010CE Side Kick Side Burner
Piezo Igniter	✓
Zinc Knobs	✓
Stainless Steel 304 Gauge	2.00 mm
Single Piece SS Dual Lined Hood	✓
Solid Stainless Steel Grates	✓
Heavy Duty Thermometer	✓
Solid S/Steel Warming Rack	✓
Stainless Steel Rotisserie Motor	✗
Stainless Steel Grease Tray	✓
Stainless Steel Side Shelves	✓
Twin Lighting System	✗
SS 304 Double Door Storage Cart	✓
SS 304 Door/Drawer Storage Cart	✗
Heavy Duty Castors	✓
CSA Certified	✓
CE Certified	✓
Lower Cooking Surface	97 x 49 cm
Upper Cooking Surface	97 x 18 cm
Warranty Details	
Fire Box & Roasting Hood	Lifetime
Cooking Grates	Lifetime
Burners	2 Years
Flame Tamers	5 Years
Grill Packing Dimensions	
Grill Carton Length	107 cm
Grill Carton Width	69 cm
Grill Carton Height	62 cm
Grill Carton Cube	0.46 M <sup>3</sup>
Grill Carton Weight	74.00 Kg
Cart Bottom Packing Dimensions	
Cart Carton Length	103 cm
Cart Carton Width	58 cm
Cart Carton Height	58 cm
Cart Carton Cube	0.35 M <sup>3</sup>
Cart Carton Weight	37.65 Kg

RENEGADE CART



RENEGADE BUILT-IN



The 97cm Renegade Grill is a 5 burner 22 kWh stainless steel Grill Cart. This cart has plenty of room for grilling and plenty of storage under the grill for your propane tank and tools. It can also be easily moved to the ideal location in your backyard or patio.

CAST STAINLESS STEEL BURNER



This Burner is the heart of our Premium Grills. It is made from 304 Grade Cast Stainless Steel. This heavy duty technology goes up to 4.40kWh.

Our ReliaBull Technology is engineered by the finest University experts in California. This is why Bull is confident in offering a **LIFETIME WARRANTY** on these Beasts!



Standard Features	
<b>Angus Cart</b>	#44000CE-LPG #44001CE-NG
<b>Angus Built-In</b>	#47628CE-LPG #47629CE-NG
Recommended Use	Commercial Residential
Cooking Power- kWh	22.00 kWh
Burners	4-Cast S/ Steel Bar Burners
Infrared Back Burner	✓
Cast Stainless Steel Double Side Burners	Optional #60010CE Side Kick Side Burner
Piezo Igniter	✓
Zinc Knobs	✓
Stainless Steel 304 Gauge	2.00 mm
Single Piece SS Dual Lined Hood	✓
Solid Stainless Steel Grates	✓
Heavy Duty Thermometer	✓
Solid S/Steel Warming Rack	✓
Stainless Steel Rotisserie Motor	✓
Stainless Steel Grease Tray	✓
Stainless Steel Side Shelves	✓
Twin Lighting System	✓
SS 304 Double Door Storage Cart	✓
SS 304 Door/Drawer Storage Cart	✗
Heavy Duty Castors	✓
CSA Certified	✓
CE Certified	✓
Lower Cooking Surface	76 x 49 cm
Upper Cooking Surface	76 x 18 cm
Warranty Details	
Fire Box & Roasting Hood	Lifetime
Cooking Grates	Lifetime
Burners	Lifetime
Flame Tamers	5 Years
Grill	Packing Dimensions
Grill Carton Length	88 cm
Grill Carton Width	66 cm
Grill Carton Height	63 cm
Grill Carton Cube	0.37 M <sup>3</sup>
Grill Carton Weight	71.00 Kg
Cart Bottom	Packing Dimensions
Cart Carton Length	84 cm
Cart Carton Width	58 cm
Cart Carton Height	59 cm
Cart Carton Cube	0.29 M <sup>3</sup>
Cart Carton Weight	33.50 Kg

ANGUS CART



ANGUS BUILT-IN



The Angus Grill is a 76cm 4-Burner Stainless Steel Barbecue Grill with an Infrared Back Burner and rotisserie. This grill cart has room to prepare food and great storage for your tools and propane tank.

Standard Features	
<b>Brahma Cart</b>	#55000CE-LPG #55001CE-NG
<b>Brahma Built-In</b>	#57568CE-LPG #57569CE-NG
Recommended Use	Commercial Residential
Cooking Power-kWh	26.40 kWh
Burners	5 - Cast S/Steel Bar Burners
Infrared Back Burner	✓
Cast Stainless Steel Double Side Burners	Optional #60010CE Side Kick Side Burner
Piezo Ignites	✓
Zinc Knobs	✓
Stainless Steel 304 Gauge	2.00 mm
Single Piece SS Dual Lined Hood	✓
Solid Stainless Steel Grates	✓
Heavy Duty Thermometer	✓
Solid S/Steel Warming Rack	✓
Stainless Steel Rotisserie Motor	✓
Stainless Steel Grease Tray	✓
Stainless Steel Side Shelves	✓
Twin Lighting System	✓
SS 304 Double Door Storage Cart	✓
SS 304 Door/Drawer Storage Cart	✗
Heavy Duty Castors	✓
CSA Certified	✓
CE Certified	✓
Lower Cooking Surface	97 x 49 cm
Upper Cooking Surface	97 x 18 cm
Warranty Details	
Fire Box & Roasting Hood	Lifetime
Cooking Grates	Lifetime
Burners	Lifetime
Flame Tamers	5 Years
Grill	Packing Dimensions
Grill Carton Length	107 cm
Grill Carton Width	69 cm
Grill Carton Height	62 cm
Grill Carton Cube	0.46 M <sup>3</sup>
Grill Carton Weight	84.00 Kg
Cart Bottom	Packing Dimensions
Cart Carton Length	103 cm
Cart Carton Width	58 cm
Cart Carton Height	58 cm
Cart Carton Cube	0.35 M <sup>3</sup>
Cart Carton Weight	35.38 Kg

BRAHMA CART



BRAHMA BUILT-IN



The Brahma Grill is a 97cm 5-Burner stainless steel gas barbecue with an infrared back burner and rotisserie. This cart has plenty of room for grilling and plenty of storage under the grill for your propane tank and tools.



Standard Features	
<b>Diablo Cart</b>	#62600CE-LPG #62601CE-NG
Requires #62725CE Cart Conversion Kit	
<b>Diablo Built-In</b>	#62648CE-LPG #62649CE-NG
Recommended Use	Commercial Residential
Cooking Power-kWh	30.90 kWh
Burners	6 - Cast S/Steel Bar Burners
Infrared Back Burner	✓
Cast Stainless Steel Double Side Burners	✗
Piezo Igniter	✓
Zinc Knobs	✓
Stainless Steel 304 Gauge	2.00 mm
Single Piece SS Dual Lined Hood	✓
Solid Stainless Steel Grates	✓
Heavy Duty Thermometer	✓
Solid S/Steel Warming Rack	✓
Stainless Steel Rotisserie Motor	✓
Stainless Steel Grease Tray	✓
Stainless Steel Side Shelves	✓
Twin Lighting System	✓
SS 304 Double Door Storage Cart	✗
SS 304 Door/Drawer Storage Cart	✗
Heavy Duty Castors	✓
CSA Certified	✓
CE Certified	✓
Lower Cooking Surface	115x 49 cm
Upper Cooking Surface	115x 18 cm
Warranty Details	
Fire Box & Roasting Hood	Lifetime
Cooking Grates	Lifetime
Burners	Lifetime
Flame Tamers	5 Years
Grill	Packing Dimensions
Grill Carton Length	127 cm
Grill Carton Width	66 cm
Grill Carton Height	62 cm
Grill Carton Cube	0.52M <sup>3</sup>
Grill Carton Weight	98.00 Kg
Cart Bottom	Packing Dimensions
Cart Carton Length	127 cm
Cart Carton Width	62 cm
Cart Carton Height	63 cm
Cart Carton Cube	0.50 M <sup>3</sup>
Cart Carton Weight	55.00 Kg

DIABLO CART



DIABLO BUILT-IN



The Diablo grill is a 6-Burner 117cm barbecue grill with an Infrared back burner and rotisserie. Our largest Grill boasts a whopping 31 kWh of cooking power and comes standard with our Reliabull heat technology that reduces hot and cold spots creating a more even grilling surface.

Standard Features	
<b>7 Burner Cart</b>	#28368CE-LPG #28369CE-NG
<b>7 Burner Built-In</b>	#18248CE-LPG #18249CE-NG
Recommended Use	Commercial Residential
Cooking Power-kWh	31.00 kWh
Burners	4 - Cast S/Steel Bar Burners
Infrared Back Burner	✓
Cast Stainless Steel Double Side Burners	✓
Piezo Ignites	✓
Zinc Knobs	✓
Stainless Steel 304 Gauge	2.00 mm
Single Piece SS Dual Lined Hood	✓
Solid Stainless Steel Grates	✓
Heavy Duty Thermometer	✓
Solid S/Steel Warming Rack	✓
Stainless Steel Rotisserie Motor	✓
Stainless Steel Grease Tray	✓
Stainless Steel Side Shelves	✓
Twin Lighting System	✓
SS 304 Double Door Storage Cart	✓
SS 304 Door/Drawer Storage Cart	✓
Heavy Duty Castors	✓
CSA Certified	✓
CE Certified	✓
Lower Cooking Surface	76 x 49 cm
Upper Cooking Surface	76 x 18 cm
Warranty Details	
Fire Box & Roasting Hood	Lifetime
Cooking Grates	Lifetime
Burners	Lifetime
Flame Tamers	5 Years
Grill	Packing Dimensions
Grill Carton Length	125 cm
Grill Carton Width	70 cm
Grill Carton Height	60 cm
Grill Carton Cube	0.53 M <sup>3</sup>
Grill Carton Weight	91.00 Kg
Cart Bottom	Packing Dimensions
Cart Carton Length	127 cm
Cart Carton Width	62 cm
Cart Carton Height	63 cm
Cart Carton Cube	0.50 M <sup>3</sup>
Cart Carton Weight	55.00 Kg

7 BURNER CART



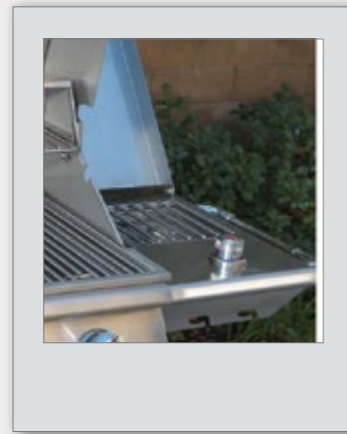
7 BURNER BUILT-IN



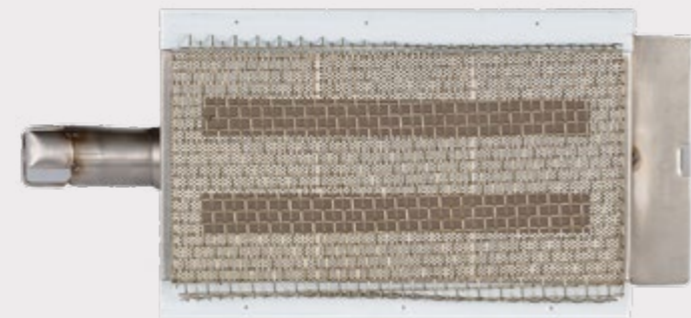
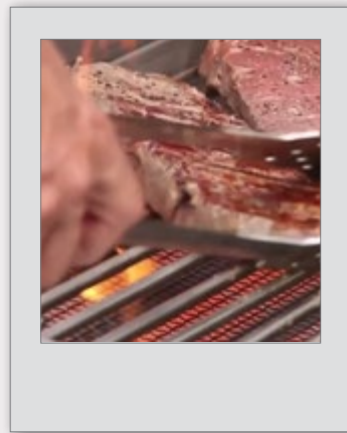
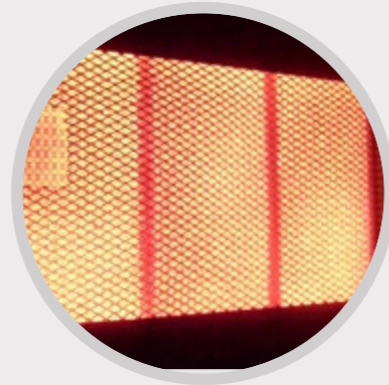
The 7 Burner Grill is the largest and most versatile of all our carts. It has an impressive cooking area, with infrared Back Burner and rotisserie, along with extra storage space. The incorporated double side burner saves space especially when incorporating in an Outdoor Kitchen.



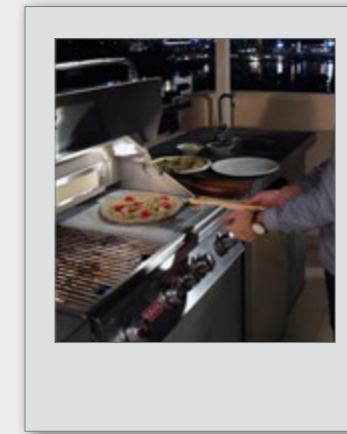
<b>Sidekick Cart Single Side Burner</b>	#60010CE	LPG
	On request	NG
304 Solid Cast Stainless Steel Burner.		
304 Solid Stainless Steel Grate. <b>GAS CONNECTION KIT INCLUDED.</b>		
Piezo Ignition. Replaces right shelf on 61,76 & 97cm Bull Grill Carts.		
<b>Specifications</b>		
CE Certified	4.40 kWh	
<b>Dimensions</b>		<b>Cut out Dimensions</b>
L 33.2 cm	D 47.7 cm	H 15.3 cm
L N/A	D N/A	H N/A
CTN Length	0.54 Mts	CTN Height
		0.21 Mts
CTN Width	0.40 Mts	CTN Weight
		8 Kg 1 Pcs



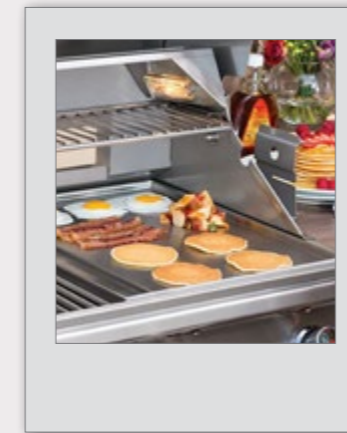
<b>Infrared Searing Burner</b>	#20505CE	LPG / NG
Ceramic Infrared sear Burner 5.86 kWh.		
Replaces all rightmost side burner on all Bull Grills.		
Takes less than one minute to install.		
<b>Specifications</b>		
CE Certified	5.86 kWh	
<b>Dimensions</b>		<b>Cut out Dimensions</b>
L 16.8 cm	D 40.8 cm	H 7.1 cm
L N/A	D N/A	H N/A
CTN Length	0.48 Mts	CTN Height
		0.20 Mts
CTN Width	0.46 Mts	CTN Weight
		11.5 Kg 5 Pcs



<b>Volcanic Rock Griddle/Pizza Stone</b>	#97030	
Replaces 2 cooking grids on 76, 97 & 120cm Grills.		
Grease gutter around perimeter and Grease hole.		
This Lava Rock has the same properties as refractory stone.		
<b>Specifications</b>		
20mm thick		
<b>Dimensions</b>		<b>Cut out Dimensions</b>
L 49.5cm	D 38.5cm	H 2.0cm
L N/A	D N/A	H N/A
CTN Length	0.53 Mts	CTN Height
		0.11 Mts
CTN Width	0.45 Mts	CTN Weight
		12 Kg 1 Pcs



<b>Slide-In Removable Griddle</b>	#97020	
Turns part of your Bull Grill into a Flat Top Griddle .		
Perfect for making Tacos, Pancakes, Eggs and so much more.		
<b>Specifications</b>		
Solid S/Steel		
<b>Dimensions</b>		<b>Cut out Dimensions</b>
L 50.00cm	D 38.0cm	H 2.0cm
L N/A	D N/A	H N/A
CTN Length	0.55 Mts	CTN Height
		0.09 Mts
CTN Width	0.43 Mts	CTN Weight
		12 Kg 1 Pcs



A wide selection of Covers available for all Grill Heads and Carts



<b>Bull® 60cm Cart Cover</b>	<b># 72010</b>		
This Cart Cover fits Bull Steer Cart.			
CTN Length	0.36 Mts	CTN Height	1.00 Mts
CTN Width	0.46 Mts	CTN Weight	18.00 Kg 10 Pcs

<b>Bull® 76cm Cart Cover</b>	<b># 72012</b>		
This Cart Cover fits Bull Bison, Angus, Outlaw and Lonestar Cart.			
CTN Length	0.44 Mts	CTN Height	0.80 Mts
CTN Width	0.56 Mts	CTN Weight	20.00 Kg 10 Pcs

<b>Bull® 97cm Cart Cover</b>	<b># 72013</b>		
This cart Cover fits Bull Renegade, Brahma Cart.			
CTN Length	0.33 Mts	CTN Height	0.20 Mts
CTN Width	0.29 Mts	CTN Weight	25.00 Kg 10 Pcs

<b>Bull® 120cm Cart Cover</b>	<b># 72014</b>		
This Cart Cover fits Bull 7 Burner Cart.			
CTN Length	0.39 Mts	CTN Height	0.64 Mts
CTN Width	0.32 Mts	CTN Weight	25.00 Kg 10 Pcs

<b>Bull® 60cm Griddle Head Cover</b>	<b># 97770</b>		
This Cover fits Bull Plancha Griddle Built-In.			
CTN Length	0.28 Mts	CTN Height	0.46 Mts
CTN Width	0.34 Mts	CTN Weight	3.20 Kg 5 Pcs

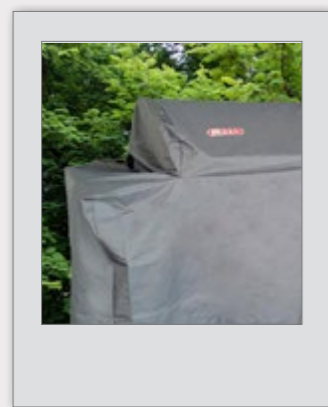
<b>Bull® 60cm Premium Grill Cover</b>	<b># 72016</b>		
This Head cover fits Bull Steer Premium Built-In.			
CTN Length	0.28 Mts	CTN Height	0.46 Mts
CTN Width	0.34 Mts	CTN Weight	3.20 Kg 5 Pcs

<b>Bull® 76cm Grill Cover</b>	<b># 45005</b>		
300D Polyester Black Red Piping & Stitched Logo			
This Head cover fits Bull Bison, Angus, Outlaw & Lonestar Built-In.			
CTN Length	0.27 Mts	CTN Height	0.81 Mts
CTN Width	0.32 Mts	CTN Weight	7.00 Kg 8 Pcs

<b>Bull® 97cm Grill Head Cover</b>	<b># 56006</b>		
300D Polyester Black Red Piping & Stitched Logo			
This Head cover fits Bull Renegade, Brahma Built-In.			
CTN Length	0.27 Mts	CTN Height	0.81 Mts
CTN Width	0.33 Mts	CTN Weight	8.00 Kg 8 Pcs

<b>Bull® 116cm Grill Head Cover</b>	<b># 72017</b>		
This Head cover fits Bull Diablo Built-In.			
CTN Length	0.31 Mts	CTN Height	0.49 Mts
CTN Width	0.33 Mts	CTN Weight	10.00 Kg 10 Pcs

<b>Bull® 120cm Grill Head Cover</b>	<b># 72015</b>		
This Head Cover fits Bull 7- Burner Built-In.			
CTN Length	0.33 Mts	CTN Height	0.49 Mts
CTN Width	0.3 Mts	CTN Weight	10.00 Kg 10 Pcs



All Covers are also available in Sumbrella Surlast Canvas.



<b>Bull® 60cm Griddle Cart Cover</b>	<b># SLC73008</b>		
This Cover fits Bull Plancha Griddle Cart.			
CTN Length	0.36 Mts	CTN Height	1.00 Mts
CTN Width	0.46 Mts	CTN Weight	18.00 Kg 10 Pcs

<b>Bull® 60cm Cart Cover</b>	<b># SLC69105</b>		
This Cart Cover fits Bull Steer Cart.			
CTN Length	0.36 Mts	CTN Height	1.00 Mts
CTN Width	0.46 Mts	CTN Weight	18.00 Kg 10 Pcs

<b>Bull® 76cm Cart Cover</b>	<b># SLC74033</b>		
This Head cover fits Bull Outlaw, Lonestar & Angus Cart.			
CTN Length	0.44 Mts	CTN Height	0.80 Mts
CTN Width	0.56 Mts	CTN Weight	20.00 Kg 10 Pcs

<b>Bull® 97cm Premium Cart Cover</b>	<b># SLC55100</b>		
This cart Cover fits Bull Renegade, Brahma Cart.			
CTN Length	0.33 Mts	CTN Height	0.20 Mts
CTN Width	0.29 Mts	CTN Weight	9.00 Kg 10 Pcs

<b>Bull® 116cm Grill Head Cover</b>	<b># SLC62600</b>		
This Head cover fits Bull Diablo Cart.			
CTN Length	0.39 Mts	CTN Height	0.64 Mts
CTN Width	0.32 Mts	CTN Weight	25.00 Kg 10 Pcs

<b>Bull® 120cm Cart Cover</b>	<b># SLC18035</b>		
This Cart Cover fits Bull 7 Burner Cart.			
CTN Length	0.39 Mts	CTN Height	0.64 Mts
CTN Width	0.32 Mts	CTN Weight	25.00 Kg 10 Pcs

<b>Bull® 76cm Cart Cover</b>	<b># SLC88000</b>		
This Cart Cover fits Bull Bison Cart.			
CTN Length	0.44 Mts	CTN Height	0.81 Mts
CTN Width	0.55 Mts	CTN Weight	20.00 Kg 10 Pcs

<b>Bull® 60cm Griddle Head Cover</b>	<b># SLC97770</b>		
This Cover fits Bull Plancha Griddle Built-In.			
CTN Length	0.28 Mts	CTN Height	0.46 Mts
CTN Width	0.34 Mts	CTN Weight	3.20 Kg 5 Pcs

<b>Bull® 60cm Premium Grill Cover</b>	<b># SLC69010</b>		
This Head cover fits Bull Steer Premium Built-In.			
CTN Length	0.28 Mts	CTN Height	0.46 Mts
CTN Width	0.34 Mts	CTN Weight	3.20 Kg 5 Pcs

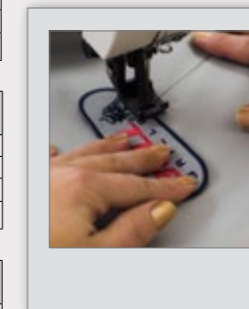
<b>Bull® 76cm Grill Head Cover</b>	<b># SLC42030</b>		
This Head cover fits Bull Outlaw, Lonestar & Angus Built-In.			
CTN Length	0.36 Mts	CTN Height	0.24 Mts
CTN Width	0.31 Mts	CTN Weight	10.00 Kg 10 Pcs

<b>Bull® 97cm Grill Head Cover</b>	<b># SLC56006</b>		
This Head cover fits Bull Renegade, Brahma Built-In.			
CTN Length	0.27 Mts	CTN Height	0.81 Mts
CTN Width	0.33 Mts	CTN Weight	8.00 Kg 8 Pcs

<b>Bull® 116cm Grill Head Cover</b>	<b># SLC62270</b>		
This Head cover fits Bull Diablo Built-In.			
CTN Length	0.31 Mts	CTN Height	0.49 Mts
CTN Width	0.33 Mts	CTN Weight	10.00 Kg 10 Pcs

<b>Bull® 120cm Grill Head Cover</b>	<b># SLC70000</b>		
This Head Cover fits Bull 7- Burner Built-In.			
CTN Length	0.33 Mts	CTN Height	0.49 Mts
CTN Width	0.3 Mts	CTN Weight	10.00 Kg 10 Pcs

<b>Bull® 76cm Grill Head Cover</b>	<b># SLC88787</b>		
This Head Cover fits Bull Bison Built-In.			
CTN Length	0.33 Mts	CTN Height	0.25 Mts
CTN Width	0.3 Mts	CTN Weight	10.00 Kg 10 Pcs



Colour Options



These are Premium Hand Stitched Tailored Covers in Sumbrella Surlast Marine Grade Fabric & Thread.





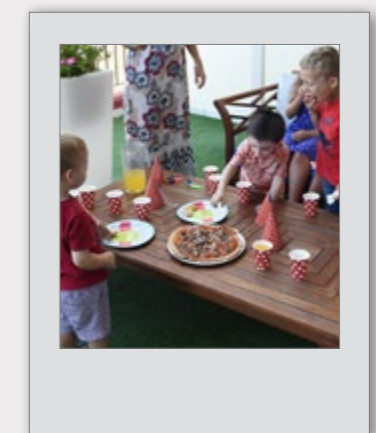
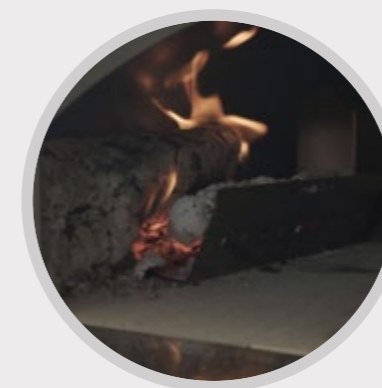
The Large Pizza Oven is wood-fired and built in Italy with solid welded construction, stainless steel & electro galvanized steel. The internal is nickel/chrome steel and reinforced with 6mm corten refractory plates.

<b>Large Pizza Oven with Cart</b>	<b>#66025</b>
Baking Stone: 60 cm W x 60 cm D. Chimney Stainless steel 316.	
Top & Back 304 solid Stainless Steel. Internal Top 2.55mm.	
Internal Bottom 3.00mm thick, 441 Chrome/Nickel Steel.	
<b>Specifications</b>	
Powder Coated Anthracite Top.	
<b>Dimensions</b>	
L 77.8 cm	D 85.5 cm   H 198 cm
CTN Length	0.89 Mts   CTN Height 0.83 Mts
CTN Width	0.83 Mts   CTN Weight 130 Kg   1 Pcs

<b>Large Pizza Oven</b>	<b>#66024</b>
Baking Stone: 60 cm W x 60 cm D. Chimney Stainless steel 316.	
Top & Back 304 solid Stainless Steel. Internal Top 2.55mm.	
Internal Bottom 3.00mm thick, 441 Chrome/Nickel Steel.	
<b>Specifications</b>	
Powder Coated Anthracite Top.	
<b>Dimensions</b>	
L 77.8 cm	D 85.5 cm   H 118 cm
CTN Length	0.89 Mts   CTN Height 0.63 Mts
CTN Width	0.83 Mts   CTN Weight 108 Kg   1 Pcs

<b>Large Cart Bottom Only</b>	<b>#66039</b>
Stainless Steel Unassembled.	
<b>Specifications</b>	
<b>Dimensions</b>	
L 77.8 cm	D 78 cm   H 79.8 cm
CTN Length	0.89 Mts   CTN Height 0.22 Mts
CTN Width	0.83 Mts   CTN Weight 22 Kg   1 Pcs

WOOD FIRED LARGE



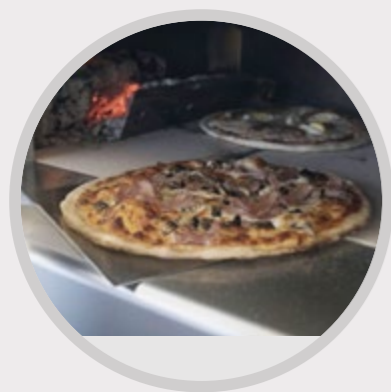
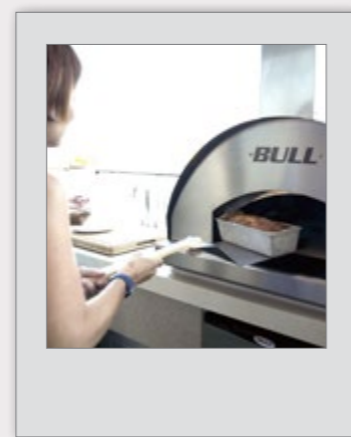
The Extra Large Pizza Oven is wood-fired and built in Italy with solid welded construction, stainless steel & electro galvanized steel. The internal is nickel/chrome steel and reinforced with 6mm corten refractory plates.

<b>Extra Large Pizza Oven with Cart</b>		<b>#66042</b>	
Baking Stone: 80 cm W x 60 cm D. Chimney Stainless steel 316.			
Top & Back 304 solid Stainless Steel. Internal Top 2.55mm.			
Internal Bottom 3.00mm thick, 441 Chrome/Nickel Steel.			
<b>Specifications</b>			
Powder Coated Anthracite Top.			
<b>Dimensions</b>			
L 98.0 cm	D 85.5 cm	H 198 cm	
CTN Length	1.03 Mts	CTN Height	0.85 Mts
CTN Width	0.99 Mts	CTN Weight	152 Kg   1 Pcs

<b>Extra Large Pizza Oven</b>		<b>#66040</b>	
Baking Stone: 80 cm W x 60 cm D. Chimney Stainless steel 316.			
Top & Back 304 solid Stainless Steel. Internal Top 2.55mm.			
Internal Bottom 3.00mm thick, 441 Chrome/Nickel Steel.			
<b>Specifications</b>			
Powder Coated Anthracite Top.			
<b>Dimensions</b>			
L 98.0 cm	D 85.5 cm	H 119 cm	
CTN Length	1.03 Mts	CTN Height	0.63 Mts
CTN Width	0.99 Mts	CTN Weight	130 Kg   1 Pcs

<b>Extra Large Cart Bottom Only</b>		<b>#66041</b>	
Stainless Steel Unassembled.			
<b>Specifications</b>			
<b>Dimensions</b>			
L 98.0 cm	D 78 cm	H 79.8 cm	
CTN Length	0.93 Mts	CTN Height	0.22 Mts
CTN Width	0.72 Mts	CTN Weight	22 Kg   1 Pcs

WOOD FIRED XL



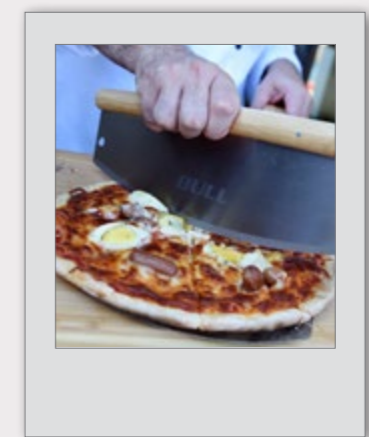
The Large Pizza Oven is gas-fired and built in Italy with solid welded construction, stainless steel & electro galvanized steel. A much cleaner and faster way to cook your favourite pizza and roast.

<b>Large Pizza Oven with Cart</b>		<b>#66125CE</b>	
Baking Stone: 60 cm W x 60 cm D. Chimney Stainless steel 316.			
Top & Back 304 solid Stainless Steel. Internal Top 2.55mm.			
Internal Bottom 3.00mm thick, 441 Chrome/Nickel Steel.			
<b>Specifications</b>			
Brushed stainless Steel Top. 14k Wh S/Steel Tubular Burner.			
<b>Dimensions</b>			
L 77.8 cm	D 85.5 cm	H 198 cm	
CTN Length	0.89 Mts	CTN Height	0.93 Mts
CTN Width	0.83 Mts	CTN Weight	130 Kg   1 Pcs

<b>Large Pizza Oven</b>		<b>#66124CE</b>	
Baking Stone: 60 cm W x 60 cm D. Chimney Stainless steel 316.			
Top & Back 304 solid Stainless Steel. Internal Top 2.55mm.			
Internal Bottom 3.00mm thick, 441 Chrome/Nickel Steel.			
<b>Specifications</b>			
Brushed stainless Steel Top. 14k Wh S/Steel Tubular Burner.			
<b>Dimensions</b>			
L 77.8 cm	D 85.5 cm	H 126 cm	
CTN Length	0.89 Mts	CTN Height	0.71 Mts
CTN Width	0.83 Mts	CTN Weight	110 Kg   1 Pcs

<b>Large Cart Bottom Only</b>		<b>#66139</b>	
Stainless Steel Unassembled.			
<b>Specifications</b>			
<b>Dimensions</b>			
L 77.8 cm	D 78 cm	H 71.8 cm	
CTN Length	0.93 Mts	CTN Height	0.22 Mts
CTN Width	0.73 Mts	CTN Weight	20 Kg   1 Pcs

GAS FIRED LARGE



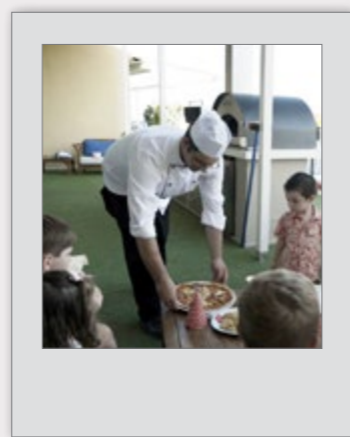
The Extra Large Pizza Oven is gas-fired and built in Italy with solid welded construction, stainless steel & electro galvanized steel. A much cleaner and faster way to cook your favourite pizza and roast.

<b>Extra Large Pizza Oven with Cart</b>	<b>#66142CE</b>
Baking Stone: 80 cm W x 60 cm D. Chimney Stainless steel 316. Top & Back 304 solid Stainless Steel. Internal Top 2.55mm. Internal Bottom 3.00mm thick, 441 Chrome/Nickel Steel.	
<b>Specifications</b>	
Brushed stainless Steel Top. 14k Wh S/Steel Tubular Burner.	
<b>Dimensions</b>	
L 97.8 cm	D 85.5 cm   H 198 cm
CTN Length	1.03 Mts   CTN Height 0.93 Mts
CTN Width	0.89 Mts   CTN Weight 147 Kg   1 Pcs

<b>Extra Large Pizza Oven</b>	<b>#66140CE</b>
Baking Stone: 80 cm W x 60 cm D. Chimney Stainless steel 316. Top & Back 304 solid Stainless Steel. Internal Top 2.55mm. Internal Bottom 3.00mm thick, 441 Chrome/Nickel Steel.	
<b>Specifications</b>	
Brushed stainless Steel Top. 14k Wh S/Steel Tubular Burner.	
<b>Dimensions</b>	
L 97.8 cm	D 85.5 cm   H 126 cm
CTN Length	1.03 Mts   CTN Height 0.71 Mts
CTN Width	0.89 Mts   CTN Weight 127 Kg   Pcs

<b>Extra Large Cart Bottom Only</b>	<b>#66141</b>
Stainless Steel Unassembled.	
<b>Specifications</b>	
<b>Dimensions</b>	
L 98.0 cm	D 78 cm   H 71.8 cm
CTN Length	0.93 Mts   CTN Height 0.22 Mts
CTN Width	0.73 Mts   CTN Weight 20 Kg   Pcs

GAS FIRED XL



SURLAST COVERS

<b>Large Pizza Oven Fitted Cover</b>	<b>#SLC66024</b>
Fits Large Oven #66024/#66124. Weather Proof and Breathable Sumbrella Surlast Cover.	
CTN Length	0.40 Mts   CTN Height 0.6 Mts
CTN Width	0.30 Mts   CTN Weight 1.05 Kg   1 Pcs

<b>Large Pizza Oven Cart Fitted Cover</b>	<b>#SLC66025</b>
Fits Large Oven #66025/#66125. Weather Proof and Breathable Sumbrella Surlast Cover.	
CTN Length	0.40 Mts   CTN Height 0.8 Mts
CTN Width	0.30 Mts   CTN Weight 1.56 Kg   1 Pcs

<b>Extra Large Pizza Oven Fitted Cover</b>	<b>#SLC66040</b>
Fits Extra Large Oven #66040/#66140. Weather Proof and Breathable Sumbrella Surlast Cover.	
CTN Length	0.40 Mts   CTN Height 0.6 Mts
CTN Width	0.30 Mts   CTN Weight 1.05 Kg   1 Pcs

<b>Ex Large Pizza Oven Cart Fitted Cover</b>	<b>#SLC66042</b>
Fits Large Oven #66042/#66142. Weather Proof and Breathable Sumbrella Surlast Cover.	
CTN Length	0.40 Mts   CTN Height 0.8 cm Mts
CTN Width	0.30 Mts   CTN Weight 1.56 Kg   1 Pcs



Oven Cart Cover



Oven Cover



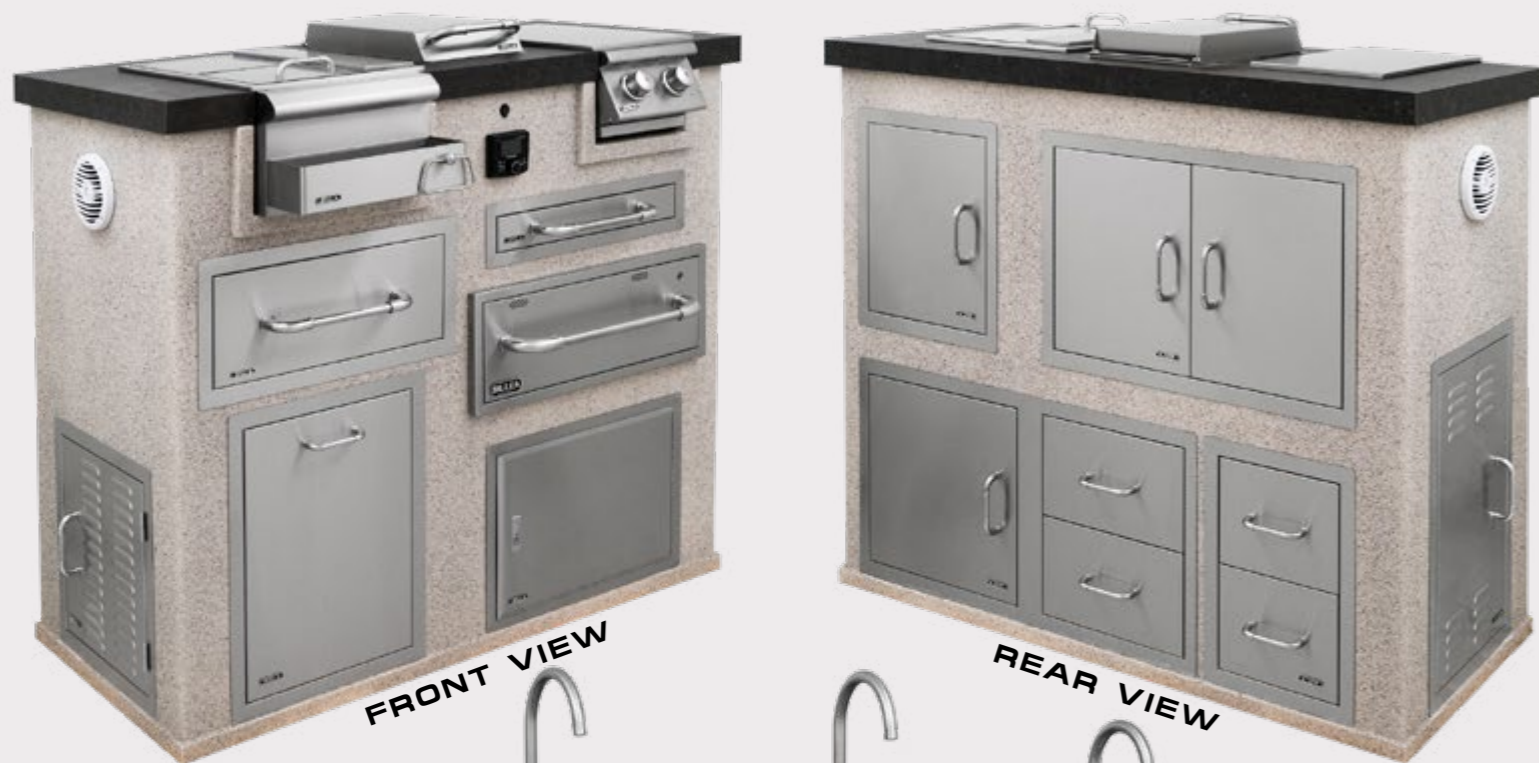
Colour Options





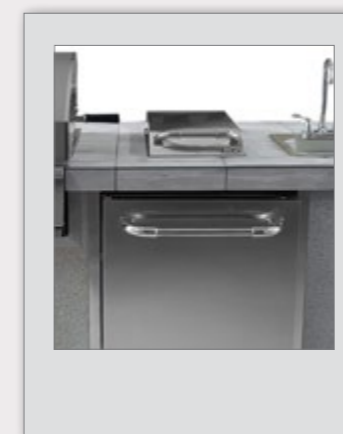
## BULL COMPONENT DISPLAY

The Bull Component Display is offered to new qualifying dealers on a cost free basis subject to the purchase of the associated components. The Bull Component Display is the perfect companion to Bull display outdoor kitchens allowing dealers to effectively guide customers to which Bull components will be best suited to their outdoor kitchen choice.

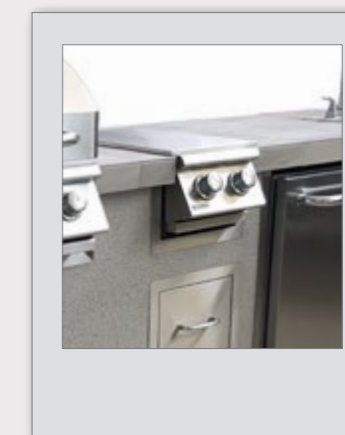


## SIDE BURNERS

<b>Drop-in Single Side Burner</b>	#60008CE	LPG
	#60009CE	NG
304 Solid Cast Stainless Steel Burner.		
304 Solid Stainless Steel Grate. <b>GAS CONNECTIONS NOT INCLUDED.</b>		
Piezo Ignition / Drop-In Design.		
<b>Specifications</b>		
CE Certified	4.40 kWh	
<b>Dimensions</b>		<b>Cut out Dimensions</b>
L 31.8 cm	D 54.7 cm	H 14.5 cm
L 28.8 cm	D 44.5 cm	H 8.5 cm
CTN Length	0.58 Mts	CTN Height
CTN Width	0.34 Mts	CTN Weight
		8.6 Kg   1 Pcs



<b>Slide - In Double Side Burner</b>	#30008CE	LPG
	#30009CE	NG
304 Stainless Steel Construction & Removable Cover.		
Solid Cast S/Steel Burners/Slide in. <b>GAS CONNECTIONS NOT INCLUDED.</b>		
Solid Stainless Steel Grates & Piezo Igniter System.		
<b>Specifications</b>		
CE Certified	7 kWh	13.15Kg
		Slide in Design
<b>Dimensions</b>		<b>Cut out Dimensions</b>
L 33.5 cm	D 62.3 cm	H 24.4 cm
L 30.5 cm	D 52.8 cm	H 24.0 cm
CTN Length	0.69 Mts	CTN Height
CTN Width	0.37 Mts	CTN Weight
		15 Kg   1 Pcs



REFRIGERATORS

<b>130 Lt Stainless Steel Refrigerator</b>		#11002CE	
Space saving flush back design Stainless 304 steel door panel. Reversible door - left or right swing. Full range temperature control.			
<b>Specifications</b>			
CE Certified	Refrigerant	R600A	75w; 0.65A
<b>Dimensions</b>		<b>Cut out Dimensions</b>	
L 48.9 cm	D 45.9 cm	H 81.0 cm	
L 52.2 cm	D 46.8 cm	H 83.0 cm	
CTN Length	Mts	CTN Height	Mts
CTN Width	Mts	CTN Weight	30 Kg   Pcs



<b>150 Lt Premium Outdoor Rated Stainless Steel Fridge</b>		#13700CE	
IPX4 Withstands extremes of weather, UV-safe, Internal Digital LED Control Panels, Reversible self-Closing and sealed locking Door, 3 shelf storage system, ETL, DOE, & CE (energy saver) Certifications.			
<b>Specifications</b>			
CE Certified	Refrigerant	R600a	110w; 1.0A
<b>Dimensions</b>		<b>Cut out Dimensions</b>	
L 60.1 cm	D 60.1 cm	H 82.6 cm	
L 62.0 cm	D 56.5 cm	H 84.0 cm	
CTN Length	0.69 Mts	CTN Height	0.89 Mts
CTN Width	0.66 Mts	CTN Weight	60 Kg   1 Pcs



<b>188 Lt Kegerator</b>		#17900CE	
188 Lts with Single Curved Tap, Single Pull.			
<b>Specifications</b>			
CE Certified	Refrigerant	R600a	125w; 1.10A
<b>Dimensions</b>		<b>Cut out Dimensions</b>	
L 60.5 cm	D 63.8 cm	H 87.1 cm	
L 63.0 cm	D 61.5 cm	H 88.5cm	
CTN Length	0.76 Mts	CTN Height	0.94 Mts
CTN Width	0.73 Mts	CTN Weight	64 Kg   1 Pcs

ICE CHEST

<b>Stainless Steel Ice Chest</b>		#00002	
20Kgs capacity, Stainless Steel Construction. Double Walled, Includes Condiment Tray. Perfect for Chilling Drinks for your Outdoor entertainment.			
<b>Specifications</b>			
Stainless Steel	304 Grade		
<b>Dimensions</b>		<b>Cut out Dimensions</b>	
L 42.5 cm	D 51.3 cm	H 48.8 cm	
L 35.0 cm	D 52.2 cm	H 39.5 cm	
CTN Length	0.48 Mts	CTN Height	0.47 Mts
CTN Width	0.58 Mts	CTN Weight	20 Kg   1 Pcs



BAR CENTERS



<b>76cm Bar Caddy</b>		#97623	
Sink with Cold Water Faucet and Cutting Board. Ice Chest with sliding Lid, Removable Condiment Tray. Towel Holder and Bottle Opener. 15kg ice capacity.			
<b>Specifications</b>			
Stainless Steel	304 Grade		
<b>Dimensions</b>		<b>Cut out Dimensions</b>	
L 72.9 cm	D 71.7 cm	H 32.0 cm	
L 73.8 cm	D 57.8 cm	H 24.0 cm	
CTN Length	0.84 Mts	CTN Height	0.35 Mts
CTN Width	0.73 Mts	CTN Weight	33 Kg   1 Pcs

<b>46cm Bar Caddy</b>		#85624	
Removable Condiment Tray. Ice Chest with sliding Lid. Towel Holder. 15kg ice capacity.			
<b>Specifications</b>			
Stainless Steel	304 Grade		
<b>Dimensions</b>		<b>Cut out Dimensions</b>	
L 42.7 cm	D 56.7 cm	H 27.4 cm	
L 43.5 cm	D 57.0 cm	H 24.0 cm	
CTN Length	0.72 Mts	CTN Height	0.35 Mts
CTN Width	0.52 Mts	CTN Weight	23 Kg   1 Pcs



SINKS

<b>Stainless Steel Sink: Small</b>		<b>#22389</b>	
1.2mm 304 Grade Stainless Steel.			
Hot and Cold Single Lever Water Faucet.			
Overflow with drain.			
<b>Specifications</b>			
Stainless Steel	304 Grade		
<b>Dimensions</b>		<b>Cut out Dimensions</b>	
L 37.8 cm	D 42.9 cm	H 19.9 cm	L 36 cm D 41 cm H 21.0 cm
CTN Length	0.44 Mts	CTN Height	0.35 Mts
CTN Width	0.48 Mts	CTN Weight	8.00 Kg 1 Pcs



<b>Stainless Steel Sink: Large</b>		<b>#22391</b>	
1.2mm 304 Grade Stainless Steel..			
Hot and Cold Single Lever Water Faucet.			
Overflow with drain.			
<b>Specifications</b>			
Stainless Steel	304 Grade		
<b>Dimensions</b>		<b>Cut out Dimensions</b>	
L 48.3 cm	D 45 cm	H 20cm	L 46 cm D 43.3 cm H 21 cm
CTN Length	0.51 Mts	CTN Height	0.34 Mts
CTN Width	0.55 Mts	CTN Weight	9.60 Kg 1 Pcs



<b>Stainless Steel Sink: Extra Large</b>		<b>#22392</b>	
1.2mm 304 Grade Stainless Steel..			
Hot and Cold Single Lever Water Faucet.			
Overflow with drain.			
<b>Specifications</b>			
Stainless Steel	304 Grade		
<b>Dimensions</b>		<b>Cut out Dimensions</b>	
L 60 cm	D 49.5 cm	H 20 cm	L 57.8 cm D 47.8 cm H 21 cm
CTN Length	0.56 Mts	CTN Height	0.34 Mts
CTN Width	0.65 Mts	CTN Weight	11.2 Kg 1 Pcs



DOORS

<b>76cm Double Door</b>		<b>#33568</b>	
1.7mm Gauge Stainless Steel Construction.			
Double Walled.			
Internal liner #74000 not included			
<b>Specifications</b>			
Stainless Steel	304 Grade		
<b>Dimensions</b>		<b>Cut out Dimensions</b>	
L 83.8 cm	D 4.9 cm	H 55.7 cm	L 79.0 cm D 5.8 cm H 50.5 cm
CTN Length	0.87 Mts	CTN Height	0.08 Mts
CTN Width	0.59 Mts	CTN Weight	9.39 Kg 1 Pcs



<b>97cm Double Door</b>		<b>#34000</b>	
1.7mm Gauge Stainless Steel Construction.			
Double Walled.			
Internal liner #74100 not included			
<b>Specifications</b>			
Stainless Steel	304 Grade		
<b>Dimensions</b>		<b>Cut out Dimensions</b>	
L 102.9 cm	D 4.9 cm	H 55.7 cm	L 98.0 cm D 5.8 cm H 50.5 cm
CTN Length	1.057 Mts	CTN Height	0.18 Mts
CTN Width	0.66 Mts	CTN Weight	10.0 Kg 1 Pcs



<b>Single Horizontal Door</b>		<b>#89970</b>	
1.7mm Gauge Stainless Steel Construction.			
Access Door with Lock & Key.			
Internal liner #89972 not included			
<b>Specifications</b>			
Stainless Steel	304 Grade		
<b>Dimensions</b>		<b>Cut out Dimensions</b>	
L 64.9 cm	D 3.8 cm	H 46.0 cm	L 59.5cm D 5.8 cm H 39.5cm
CTN Length	0.68 Mts	CTN Height	0.71 Mts
CTN Width	0.49 Mts	CTN Weight	5.92 Kg 1 Pcs



DOORS

<b>Right Swing Vertical Door</b>	<b>#89975</b>
<b>Left Swing Vertical Door</b>	<b>#98552</b>
1.7mm Gauge Stainless Steel Construction.	
Double Walled. Internal liner #89973 not included	
Access Door for easy storage of propane/gas lines.	
<b>Specifications</b>	
Stainless Steel	304 Grade
<b>Dimensions</b>	<b>Cut out Dimensions</b>
L 45.2 cm D 4.9 cm H 55.7 cm	L 40.0 cm D 5.8 cm H 49.5 cm
CTN Length 0.51 Mts	CTN Height 0.13 Mts
CTN Width 0.34 Mts	CTN Weight 5.9 Kg 1 Pcs



<b>Single Access Vented Door</b>	<b>#89977</b>
1.7mm Gauge Stainless Steel Construction.	
Double Walled.	
Vertical Single Access Vented Door.	
<b>Specifications</b>	
Stainless Steel	304 Grade
<b>Dimensions</b>	<b>Cut out Dimensions</b>
L 54.2 cm D 4.9 cm H 55.7 cm	L 40.0 cm D 5.8 cm H 49.6 cm
CTN Length 0.48 Mts	CTN Height 0.08 Mts
CTN Width 0.60 Mts	CTN Weight 4.45 Kg 1 Pcs

<b>Large Vertical Vented Door</b>	<b>#89978</b>
1.7mm Gauge Stainless Steel Construction.	
Vented Gas Bottle Door.	
<b>Specifications</b>	
Stainless Steel	304 Grade
<b>Dimensions</b>	<b>Cut out Dimensions</b>
L 45.2 cm D 4.9 cm H 77.5 cm	L 40.0 cm D 5.8 cm H 71.5 cm
CTN Length 0.80 Mts	CTN Height 0.08 Mts
CTN Width 0.50 Mts	CTN Weight 6 Kg 1 Pcs



DRAWERS

<b>Double Drawer</b>	<b>#56985</b>
1.7mm Gauge Stainless Steel Construction.	
Enclosed Drawer - Soft Closing System.	
Storage space.	
<b>Specifications</b>	
Stainless Steel	304 Grade
<b>Dimensions</b>	<b>Cut out Dimensions</b>
L 35.4 cm D 52.1 cm H 53.3 cm	L 32.5 cm D 53.0 cm H 49.0 cm
CTN Length 0.56 Mts	CTN Height 0.52 Mts
CTN Width 0.38 Mts	CTN Weight 22 Kg 1 Pcs



<b>Gas Tank/Trash Drawer</b>	<b>#56825</b>
1.7mm Gauge Stainless Steel Construction.	
Enclosed Slide-Out Drawer - Soft Closing System.	
Storage for Propane Tank/Trash Can. Ventilated.	
<b>Specifications</b>	
Stainless Steel	304 Grade
<b>Dimensions</b>	<b>Cut out Dimensions</b>
L 41.9 cm D 40.6cm H 55.9 cm	L 36.4 cm D 41.1cm H 49.0 cm
CTN Length 0.45 Mts	CTN Height 0.46 Mts
CTN Width 0.60 Mts	CTN Weight 16.3 Kg 1 Pcs

<b>Single Drawer</b>	<b>#09970</b>
1.7mm Gauge Stainless Steel Construction.	
Slide-Out Drawer - Soft Closing System.	
Storage Space for your grilling accessories.	
<b>Specifications</b>	
Stainless Steel	304 Grade
<b>Dimensions</b>	<b>Cut out Dimensions</b>
L 64.8cm D 51.8 cm H 15.2 cm	L 60.0 cm D 52.2 H 10.2 cm
CTN Length 0.67 Mts	CTN Height 0.18 Mts
CTN Width 0.58 Mts	CTN Weight 8.71 Kg 1 Pcs



DRAWERS

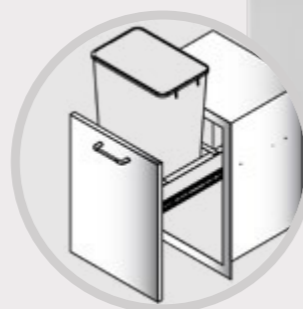
<b>Large Single Drawer</b>	<b>#09980</b>
1.7mm Gauge Stainless Steel Construction.	
Slide-Out Drawer - Soft Closing System.	
Storage Space for your grilling accessories.	
<b>Specifications</b>	
Stainless Steel	304 Grade
<b>Dimensions</b>	<b>Cut out Dimensions</b>
L 68.3cm   D 60.2 cm   H 29.3 cm	L 63.0 cm   D 60.2 cm   H 27.3 cm
CTN Length	0.70 Mts
CTN Width	0.62 Mts
CTN Height	0.34 Mts
CTN Weight	8.71 Kg   1 Pcs



<b>Warming Drawer</b>	<b>#85747CE</b>
1.7mm Gauge Stainless Steel Construction.	
Variable Temperature Control.	
Moisture Vent Control, Heat-On Light.	
<b>Specifications</b>	
Stainless Steel	304 Grade
220V, 50Hz, 450W, 2A	
<b>Dimensions</b>	<b>Cut out Dimensions</b>
L 76.2 cm   D 50.7 cm   H 29.4 cm	L 72.5 cm   D 52.0 cm   H 25.5 cm
CTN Length	0.82 Mts
CTN Width	0.59 Mts
CTN Height	0.32 Mts
CTN Weight	32 Kg   1 Pcs



<b>Large Pull Out Trash Drawer</b>	<b>#56925</b>
1.7mm Gauge Stainless Steel Construction.	
Slide-Out Drawer with Hanging Trash Can.	
Soft Closing System.	
<b>Specifications</b>	
Stainless Steel	304 Grade
<b>Dimensions</b>	<b>Cut out Dimensions</b>
L 52.8cm   D 40.0cm   H 68.6cm	L 46.5cm   D 41.0cm   H 62.0 cm
CTN Length	0.56 Mts
CTN Width	0.71 Mts
CTN Height	0.45 Mts
CTN Weight	23 Kg   1 Pcs



DOOR / DRAWERS COMBOS

<b>76cm Door/Drawer Combo</b>	<b>#25876</b>
1.7mm Gauge Stainless Steel Construction.	
Fully Enclosed Drawer Components - Soft Closing System.	
Double Lined Doors. Internal liner #89973 not included	
<b>Specifications</b>	
Stainless Steel	304 Grade
<b>Dimensions</b>	<b>Cut out Dimensions</b>
L 83.8 cm   D 52.1 cm   H 55.9 cm	L 79.0 cm   D 52.8 cm   H 50.5 cm
CTN Length	0.87 Mts
CTN Width	0.57 Mts
CTN Height	0.59 Mts
CTN Weight	30.3 Kg   1 Pcs



<b>97cm Door/Drawer Combo</b>	<b>#55875</b>
1.7mm Gauge Stainless Steel Construction.	
Fully Enclosed Drawer Components - Soft Closing System.	
Double Lined Doors. Internal liner #55877 not included	
<b>Specifications</b>	
Stainless Steel	304 Grade
<b>Dimensions</b>	<b>Cut out Dimensions</b>
L 102.9 cm   D 52.1 cm   H 55.9 cm	L 98.0 cm   D 53.0 cm   H 50.5 cm
CTN Length	1.08 Mts
CTN Width	0.57 Mts
CTN Height	0.59 Mts
CTN Weight	33.0 Kg   1 Pcs



<b>Gas Tank Drawer/Door combo</b>	<b>#65784</b>
1.7mm Gauge Stainless Steel Construction.	
Single Access door and Ventilated Trash and Propane Drawer	
Soft Closing System. Internal liner #89973 not included	
<b>Specifications</b>	
Stainless Steel	304 Grade
<b>Dimensions</b>	<b>Cut out Dimensions</b>
L 83.8 cm   D 40.6 cm   H 55.9 cm	L 79.0 cm   D 41.0 cm   H 50.5 cm
CTN Length	0.46 Mts
CTN Width	0.57 Mts
CTN Height	0.59 Mts
CTN Weight	30.3 Kg   1 Pcs



MIXED

<b>Paper Towel Dispenser</b>		<b>#73624</b>	
1.7mm Gauge Stainless Steel Construction.			
Holds one standard Roll of Paper Towels.			
Pull-Out Rail			
<b>Specifications</b>			
Stainless Steel	304 Grade		
<b>Dimensions</b>		<b>Cut out Dimensions</b>	
L 27.9 cm	D 28.3 cm	H 40.6 cm	L 23.6 cm D 29.3 cm H 36.3 cm
CTN Length	0.42 Mts	CTN Height	0.33 Mts
CTN Width	0.31 Mts	CTN Weight	7.20 Kg 1 Pcs



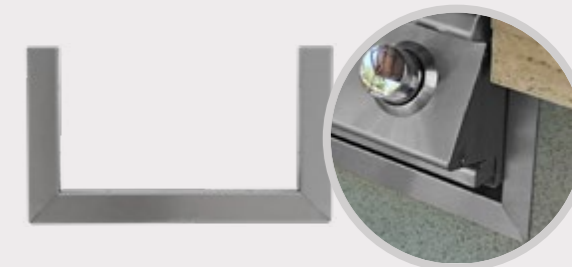
<b>Drop-In Cutting Board</b>		<b>#66007</b>	
1.7mm Gauge Stainless Steel Construction.			
Removable Stainless Steel Lid, Hard Plastic Cutting Board.			
Drain in Bottom of Unit, Syphon not included			
<b>Specifications</b>			
Stainless Steel	304 Grade		
<b>Dimensions</b>		<b>Cut out Dimensions</b>	
L 32.1 cm	D 44.0 cm	H 6.7cm	L 28.6 cm D 44.5 cm H 8.4 cm
CTN Length	0.33 Mts	CTN Height	0.14 Mts
CTN Width	0.50 Mts	CTN Weight	5.90 Kg 1 Pcs

<b>Bottle Opener</b>		<b>#66006</b>	
1.7mm Gauge Stainless Steel Construction.			
Detachable Cap catch.			
Easy Mounting Design.			
<b>Specifications</b>			
Stainless Steel	304 Grade		
<b>Dimensions</b>		<b>Cut out Dimensions</b>	
L 15.2 cm	D N/A cm	H 25.4 cm	L N/A cm D N/A cm H N/A cm
CTN Length	0.27 Mts	CTN Height	0.06 Mts
CTN Width	0.17 Mts	CTN Weight	0.83 Kg 1 Pcs



FINISHING FRAMES

<b>34cm Finishing Frame</b>		<b>#93007</b>	
304 Grade Stainless Steel Construction.			
Designed for: Double Side Burner #30008/9CE & Searing Station#94008/9CE.			
CTN Length	0.39 Mts	CTN Height	0.05 Mts
CTN Width	0.24 Mts	CTN Weight	1.13 Kg 1 Pcs



<b>60cm Grill Frame</b>		<b>#97001</b>	
304 Grade Stainless Steel Construction.			
Designed for: Plancha Griddle #97008			
CTN Length	0.8 Mts	CTN Height	0.07 Mts
CTN Width	0.25 Mts	CTN Weight	1.25 Kg 1 Pcs

<b>97cm Grill Frame</b>		<b>#58726</b>	
304 Grade Stainless Steel Construction.			
Designed for: Brahma Grill #57568			
CTN Length	1.11 Mts	CTN Height	0.08 Mts
CTN Width	0.26 Mts	CTN Weight	1.97 Kg 1 Pcs

<b>64cm Grill Frame</b>		<b>#69428</b>	
304 Grade Stainless Steel Construction.			
Designed for: Steer Grill #69008			
CTN Length	0.78 Mts	CTN Height	0.07 Mts
CTN Width	0.25 Mts	CTN Weight	1.50 Kg 1 Pcs

<b>116 cm Grill Frame</b>		<b>#72008</b>	
304 Grade Stainless Steel Construction.			
Designed for: Diablo Grill #62648			
CTN Length	1.11 Mts	CTN Height	0.08 Mts
CTN Width	0.26 Mts	CTN Weight	1.97 Kg 1 Pcs

<b>76cm Grill Frame</b>		<b>#49328</b>	
304 Grade Stainless Steel Construction.			
Designed for: Lonestar / Angus Grills #87048 #47628			
CTN Length	0.92 Mts	CTN Height	0.07 Mts
CTN Width	2.25 Mts	CTN Weight	1.80 Kg 1 Pcs

<b>120 cm Grill Frame</b>		<b># 74327</b>	
304 Grade Stainless Steel Construction.			
Designed for: 7 Burner Grill Head #18248			
CTN Length	1.31 Mts	CTN Height	0.08 Mts
CTN Width	0.26 Mts	CTN Weight	2.10 Kg 1 Pcs

<b>Refrigerator Frame</b>		<b>#99935</b>	
304 Grade Stainless Steel Construction.			
Designed for: Outdoor Refrigerator #11002CE.			
CTN Length	1.11 Mts	CTN Height	0.08 Mts
CTN Width	0.26 Mts	CTN Weight	1.97 Kg 1 Pcs

<b>Outdoor Fridge / Kegorator Frame</b>		<b>#13900/#17999</b>	
304 Grade Stainless Steel Construction.			
Designed for: Outdoor Fridge #13700 / Kegorator #17900CE.			
CTN Length	1.11 Mts	CTN Height	0.08 Mts
CTN Width	0.26 Mts	CTN Weight	1.97 Kg 1 Pcs



INTERNAL DOOR LINERS

<b>Internal Liner Horizontal Door</b>		<b>#89972</b>		
Fits Horizontal Access Door #89970 with adjustable shelf				
304 grade stainless steel construction				
CTN Length	0.66 Mts	CTN Height	0.58 Mts	
CTN Width	0.47 Mts	CTN Weight	15 Kg	1 Pcs



<b>Internal Liner Vertical Door / Combo</b>		<b>#89973</b>		
Fits #89975 / #98552 / #65784 / #25876 with adjustable shelf				
304 grade stainless steel construction				
CTN Length	0.57 Mts	CTN Height	0.58 Mts	
CTN Width	0.47 Mts	CTN Weight	12 Kg	1 Pcs



<b>Internal Liner 76cm Double Door</b>		<b>#74000</b>		
Fits 76cm Double Door #33568 with adjustable shelf				
304 grade stainless steel construction				
CTN Length	0.86 Mts	CTN Height	0.58 Mts	
CTN Width	0.56 Mts	CTN Weight	18 Kg	1 Pcs

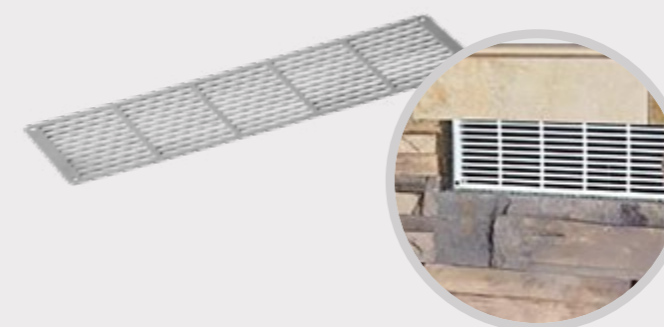


<b>Internal Liner 97cm Double Door</b>		<b>#74100</b>		
Fits 97cm Double Door #34000 with adjustable shelf				
304 grade stainless steel construction				
CTN Length	1.05 Mts	CTN Height	0.58 Mts	
CTN Width	0.56 Mts	CTN Weight	21 Kg	1 Pcs



<b>Internal Liner 97cm Combo</b>		<b>#55877</b>		
Fits 97cm Door / Drawer Combo #55875 with adjustable shelf				
304 grade stainless steel construction				
CTN Length	0.55 Mts	CTN Height	0.59 Mts	
CTN Width	0.57 Mts	CTN Weight	12 Kg	1 Pcs

ISLAND VENTS



<b>Island Vent Stainless</b>		<b>#42500</b>		
<b>Island Vent Galvanized</b>		<b>#41500</b>		
304 Grade Stainless Steel Construction #52500				
Galvanized Steel Construction #41500				
CTN Length	0.20 Mts	CTN Height	0.10 Mts	
CTN Width	0.15 Mts	CTN Weight	5 Kg	10 Pcs

INSULATED GRILL JACKETS

<b>Insulated Grill Jacket</b>		<b>#47017</b>		
For 76 cm Bull Grills.				
Required only if the kitchen structure is combustible.				
CTN Length	1.02 Mts	CTN Height	0.29 Mts	
CTN Width	0.63 Mts	CTN Weight	24.3 Kg	1 Pcs



<b>Insulated Grill Jacket</b>		<b>#47018</b>		
For 97 cm Bull Grills.				
Required only if the kitchen structure is combustible.				
CTN Length	1.20 Mts	CTN Height	0.30 Mts	
CTN Width	0.62 Mts	CTN Weight	27.6 Kg	1 Pcs

EXTRACTOR HOOD



<b>Extractor Hood for 76cm Grills</b>		<b>#6609CE</b>		
304 Grade Stainless Steel Construction.				
Wall Mounting Hood with Extractor Fan & Speed Controller.				
Sealed IPX 4 LED Light Fitting. 2 Removable Filters.				
<b>Specifications</b>				
Flow 700 m³/h	Power 0.184kW	220V, 50Hz, 1.8A		
<b>Dimensions</b>		<b>Cut out Dimensions</b>		
L 100cm	D 70 cm	H 43cm	L N/A	D N/A
CTN Length	1.10 Mts	CTN Height	0.88 Mts	
CTN Width	0.51 Mts	CTN Weight	65 Kg	1 Pcs

<b>Extractor Hood for 97cm Grills</b>		<b>#66098CE</b>		
304 Grade Stainless Steel Construction.				
Wall Mounting Hood with Extractor Fan & Speed Controller.				
Sealed IPX 4 LED Light Fitting.				
<b>Specifications</b>				
Flow 700 m³/h	Power 0.184kW	220V, 50Hz, 1.8A		
<b>Dimensions</b>		<b>Cut out Dimensions</b>		
L 120 cm	D 70 cm	H 43cm	L N/A	D N/A
CTN Length	1.30 Mts	CTN Height	0.88 Mts	
CTN Width	0.51 Mts	CTN Weight	75 Kg	1 Pcs





It takes **SUPERIOR GRILLS** to make the best **OUTDOOR KITCHENS.... "No one comes close"**

# **BULL**

OUTDOOR KITCHENS

WITH EVERY OUTDOOR KITCHEN PURCHASED YOU GET:

Care and Maintenance  
Tool Box

Waterproof & Breathable  
Sumbrella Surlast Cover



... AND WE WILL BRING YOUR OUTDOOR KITCHEN TO YOUR KERB SIDE



**ALL YOU HAVE TO DO IS *PLUG & PLAY***

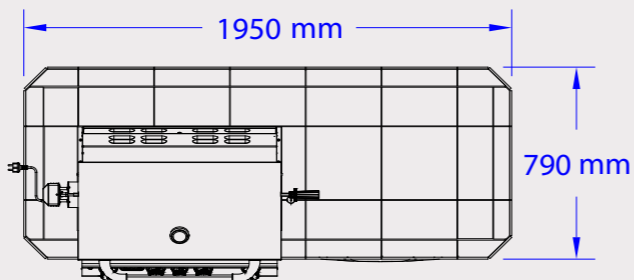
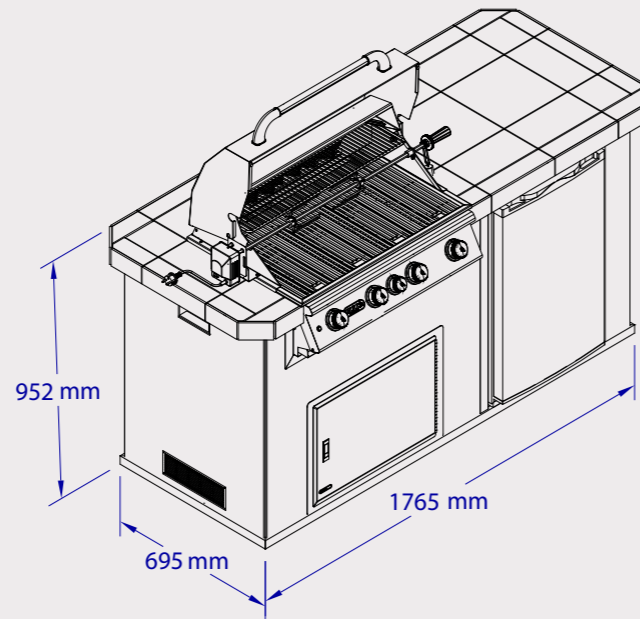




POWER Q - STANDARD

STANDARD FEATURES	
<b>STUCCO #31006</b>	
Recommended Use.	Commercial / Residential
Grill Type as Standard.	Angus #47628CE #47629CE
Standard Fridge #11002.	✓
Stucco Base Standard.	✓
Tile Top 30cm x 30cm with Bullnose Single Tone or 2-Tone.	✓
Horizontal Access Door with Lock & Key #89970	✓
Power outlet & Switch.	✓
Sink & Faucet Standard ✓ or N/A ✗	✗
STRUCTURE DIMENSIONS	
Base Footprint Size.	176 x 70 cm
Top Size.	195 x 79 cm
UPGRADES	
Upgrades and Downgrades of Optional Grills within the same size kitchen structure. <b>Brahma add 102MM to Base and Top.</b>	Bison #88787 Lonestar #87048/9 Brahma #57568/9
Upgrade Base Options	Stucco Rock #12397 Rock/Gres #33004
Upgrade from Tile Top To Solid Gres Coverlam.	#43004
Upgrade Stainless Steel Lining with middle shelf for #89970	#89972
Upgradeable Doors Angus match Codes Only.	Vertical Door #89975 Double Door #33568 Door/Drawer Combo #25876 Trash/Door Combo #65784
Upgrade Lining with adjustable shelf for above.	Vertical Door #89973 Double Door #74000 Combos #89973
Upgradeable Drawers Single Drawer #09970 can only fit with #89970 when under a Grill.	Single Drawer #09970 Large Drawer #09980 Double Drawer #56985 Gas Drawer #55712 Trash Drawer 56925
OPTIONALS	
Grill Frame optional.	#49328
Side Burner optional.	#60008 / #60009
Fridge upgrade.	#13700
Bar Caddy optional.	✗
Cutting Board optional. #66007	✓
Bottle Opener optional #66006.	✓
Large vertical door option for gas bottle insertion from SIDE. <b>No linings possible on face.</b>	#89978 LEFT
WARRANTY DETAILS	
Island Structure.	2 years
Kitchen Top.	2 years
Gas Flexible Hose.	*2 years
*As per international Gas Safety Regulations.	*Must replace every 2 years.
PACKING DIMENSIONS	
Wooden Crate Length.	213 cm
Wooden Crate Width.	92 cm
Wooden Crate Height.	200 cm
Wooden Crate Cube.	3.46 m <sup>3</sup>
Complete Crated Weight.	Stucco 270.00Kg Rock 350.00Kg

This Power-Q Outdoor Kitchen is a wonderful addition to any smaller backyard or patio area. It comes standard with a refrigerator to keep your beverages and food cold for all your entertainment needs, while the counter space is great for preparing your favourite recipes.



POWER Q - UPGRADED



<b>TOP</b>	Solid Gres - Titan Antracita	#43004
<b>BASE</b>	Solid Gres - Tempo Antracita	#33004

UPGRADES	ITEM
#25877	76cm Door / Drawer Combo
#69428	64cm Grill Frame
#12403	Change to Steer Grill



<b>TOP</b>	Solid Gres - Oxido Negro	#43004
<b>BASE</b>	Stucco - Mesa Tan	

UPGRADES	ITEM
#25877	76cm Door / Drawer Combo
#49328	76cm Grill Frame



<b>TOP</b>	Solid Gres - Bluestone Negro	#43004
<b>BASE</b>	Standard Stucco - Blue Grey	

UPGRADES	ITEM
#25877	76cm Door / Drawer Combo
#12900	Premium Outdoor Rated Kegorator
#49328	76cm Grill Frame
#89978	Vented Side Door



<b>TOP</b>	Solid Gres - Titan Antracita	#43004
<b>BASE</b>	Solid Gres - Titan Antracita	#33004

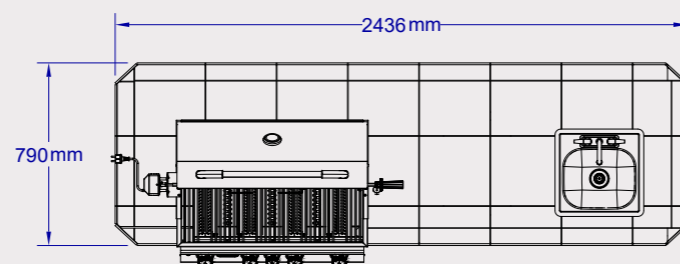
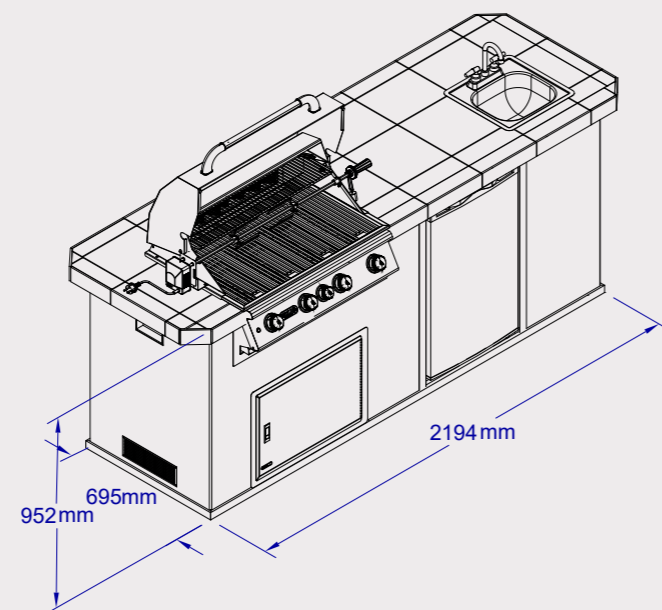
UPGRADES	ITEM
#25877	76cm Door / Drawer Combo
#49328	76cm Grill Frame
#89978	Vented Side Door



STANDARD FEATURES	
<b>STUCCO #31010</b>	
Recommended Use.	Commercial / Residential
Grill Type as Standard.	Angus #47628CE #47629CE
Standard Fridge #11002.	✓
Stucco Base Standard.	✓
Tile Top 30cm x 30cm with Bullnose Single Tone or 2-Tone.	✓
Horizontal Access Door with Lock & Key	#89970 ✓
Power outlet & Switch.	✓
Sink & Faucet Standard ✓ or N/A ✗	✓
STRUCTURE DIMENSIONS	
Base Footprint Size.	220x 70 cm
Top Size.	243 x 79 cm
UPGRADES	
Upgrades and Downgrades of Optional Grills within the same size kitchen structure.	Bison #88787 Lonestar #87048/9 Brahma #57568/9 <i>Brahma add 102MM to Base and Top.</i>
Upgrade Base Options	Stucco Rock #12397 Rock/Gres #33006
Upgrade from Tile Top To Solid Gres Coverlam.	#43004
Upgrade Stainless Steel Lining with middle shelf for #89970	#43004
Upgradeable Doors Angus match Codes Only.	Vertical Door #89975 Double Door #33568 Door/Drawer Combo #25876 Trash/Door Combo #65784
Upgrade S/Steel Lining with adjustable shelf for above.	Vertical Door #89973 Double Door #74000 Combos #89973
Upgradeable Drawers Single Drawer #09970 can only fit with #89970 when under a Grill.	Single Drawer #09970 / Large Drawer #09980 Double Drawer #56985 Gas Drawer #55712 Trash Drawer 56925
OPTIONALS	
Grill Frame optional.	#49328
Side Burner optional.	#60008 / #60009
Fridge upgrade.	#13700 / #17900
Bar Caddy optional.	#85624
Cutting Board optional #66007	✗
Bottle Opener optional #66006.	✓
Large vertical door option for gas bottle insertion from SIDE. No linings possible on face.	#89978 RIGHT
WARRANTY DETAILS	
Island Structure.	2 years
Kitchen Top.	2 years
Gas Flexible Hose.	*2 years
*As per international Gas Safety Regulations.	*Must replace every 2 years.
PACKING DIMENSIONS	
Wooden Crate Length.	261 cm
Wooden Crate Width.	100 cm
Wooden Crate Height.	212 cm
Wooden Crate Cube.	5.53 m <sup>3</sup>
Complete Crated Weight.	Stucco 400.00Kg Rock 515.00Kg

ODK - STANDARD

This Outdoor Kitchen is one of our first and most complete outdoor barbecue kitchens, provides a backyard entertainment centre and the space to handle all of your outdoor grilling needs. This is the ultimate grilling & entertaining station.



ODK - UPGRADED



TOP	Solid Gres - Moma Antracita	#43007
BASE	Solid Gres - Tempo Antracita	#33013

UPGRADES	ITEM
#49328	76cm Grill Frame



TOP	Solid Gres - Estuario White	#43007
BASE	Solid Gres - Estuario White	#33006

UPGRADES	ITEM
#09970	Single Drawer
#60008/9CE	Drop-In Single Side Burner
#49328	76cm Grill Frame
#89978	Vented Side Door



TOP	Solid Gres - Supremo Pulido	#43007
BASE	Stucco Rock - White Ash	#12397

UPGRADES	ITEM
#25877	76cm Door / Drawer Combo
#49328	76cm Grill Frame
#60008/9CE	Drop-In Single Side Burner
#66006	Bottle Opener
#22389	Bull Premium Sink - Small
#89975	Right Swing Vertical Door



TOP	Solid Gres - Travertino Antracita	#43007
BASE	Solid Gres - Travertino Antracita	#33006

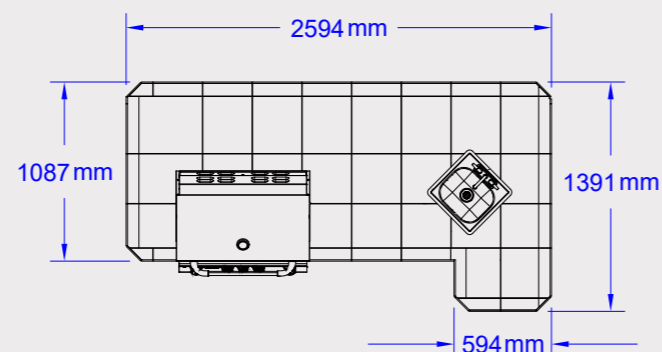
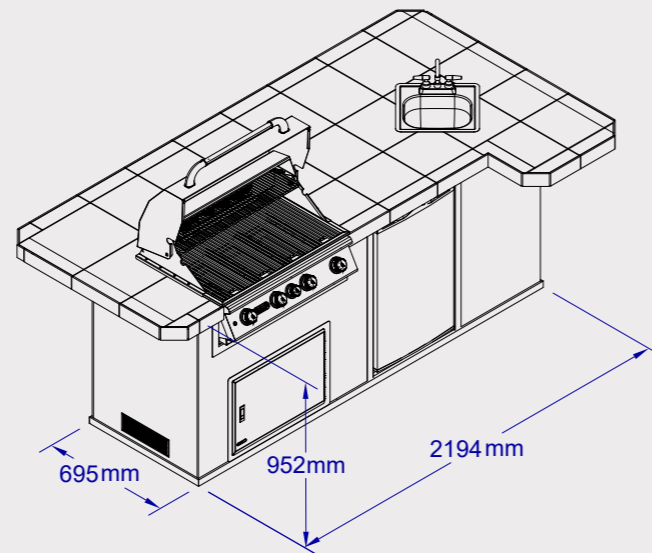
UPGRADES	ITEM
#89976	Right Swing Vertical Door
#15567	Bull Premium Sink - Large
#74327	120cm Grill Frame
#12410	Upgrade to 7 Burner



STANDARD FEATURES	
<b>STUCCO #31014</b>	
Recommended Use.	Commercial / Residential
Grill Type as Standard.	Angus #47628CE #47629CE
Standard Fridge #11002.	✓
Stucco Base Standard.	✓
Tile Top 30cm x 30cm with Bullnose Single Tone or 2-Tone.	✓
Horizontal Access Door with Lock & Key	#89970 ✓
Power outlet & Switch.	✓
Sink & Faucet	Standard ✓ or N/A ✗
STRUCTURE DIMENSIONS	
Base Footprint Size.	220 x 70 cm
Top Size.	260 x 109 cm
UPGRADES	
Upgrades and Downgrades of Optional Grills within the same size kitchen structure. <b>Brahma add 102MM to Base and Top.</b>	Bison #88787 Lonestar #87048/9 Brahma #57568/9
Upgrade Base Options	Stucco Rock #12397 Rock/Gres #33006
Upgrade from Tile Top To Solid Gres Coverlam.	#43004
Upgrade Stainless Steel Lining with middle shelf for #89970	#43004
Upgradeable Doors Angus match Codes Only.	Vertical Door #89975 Double Door #33568 Door/Drawer Combo #25876 Trash/Door Combo #65784
Upgrade S/Steel Lining with adjustable shelf for above.	Vertical Door #89973 Double Door #74000 Combos #89973
Upgradeable Drawers Single Drawer #09970 can only fit with #89970 <b>when under a Grill.</b>	Single Drawer #09970 / Large Drawer #09980 Double Drawer #56985 Gas Drawer #55712 Trash Drawer 56925
OPTIONALS	
Grill Frame optional.	#49328
Side Burner optional.	#60008 / #60009
Fridge upgrade.	#13700 / #17900
Bar Caddy optional.	#85624
Cutting Board optional. #66007	✓
Bottle Opener optional #66006.	✓
Large vertical door option for gas bottle insertion from SIDE. <b>No linings possible on face.</b>	#89978 RIGHT
WARRANTY DETAILS	
Island Structure.	2 years
Kitchen Top.	2 years
Gas Flexible Hose.	*2 years
*As per international Gas Safety Regulations.	<b>*Must replace every 2 years.</b>
PACKING DIMENSIONS	
Wooden Crate Length.	278 cm
Wooden Crate Width.	100 cm
Wooden Crate Height.	212 cm
Wooden Crate Cube.	5.89 m <sup>3</sup>
Complete Crated Weight.	Stucco 400.00Kg Rock 515.00Kg

ODK BBQ - STANDARD

The BBQ Outdoor Kitchen is perfect for grilling your favourite recipes. The "L" shaped BBQ design will become the centre of your outdoor cooking and entertainment.



ODK BBQ - UPGRADED



TOP	Standard Porcelain Tile - BV Paulista
BASE	Stucco Rock - Stoney Creek 12 #12397

UPGRADES	ITEM
#09970	Single Drawer
#12405	Premium Outdoor Rated Refrigerator
#60008/9CE	Drop-In Single Side Burner
#66006	Bottle Opener
#49328	76cm Grill Frame



TOP	Standard Porcelain Tile - AR Marango
BASE	Rock - Grey Stone # 33006

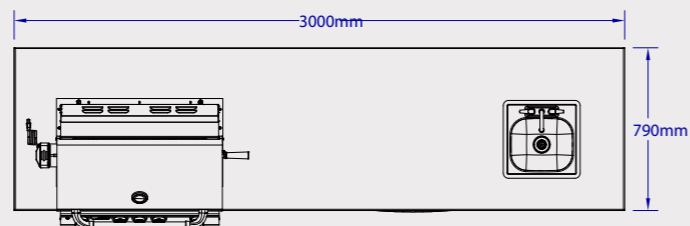
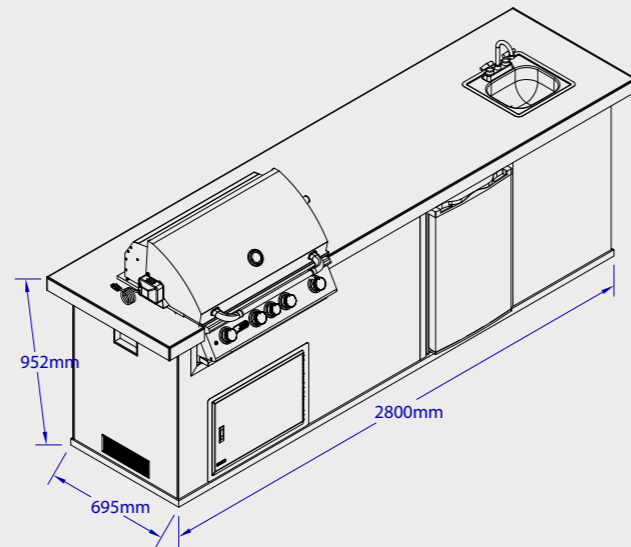
UPGRADES	ITEM
#25877	76cm Door / Drawer Combo
#12405	Premium Outdoor Rated Refrigerator
#60008/9CE	Drop-In Single Side Burner
#49328	76cm Grill Frame
#66006	Bottle Opener



STANDARD FEATURES	
<b>STUCCO #31013M</b>	
Recommended Use.	Commercial / Residential
Grill Type as Standard.	Angus #47628CE #47629CE
Standard Fridge #11002.	✓
Stucco Base Standard.	✓
Tile Top 30cm x 30cm with Bullnose	✓
Single Tone or 2-Tone.	✓
Horizontal Access Door with Lock & Key	#89970 ✓
Power outlet & Switch.	✓
Sink & Faucet	Standard ✓ or N/A ✗
STRUCTURE DIMENSIONS	
Base Footprint Size.	280 x 70 cm
Top Size.	300 x 80 cm
UPGRADES	
Upgrades and Downgrades of Optional Grills within the same size kitchen structure.	ALL GRILLS
Upgrade Base Options	Stucco Rock #12397 Rock/Gres #33006
Upgrade from Tile Top To Solid Gres Coverlam.	#43004
Upgrade Stainless Steel Lining with middle shelf for #89970	#43004
Upgradeable Doors Angus match Codes Only.	Vertical Door #89975 Double Door #33568 Door/Drawer Combo #25876 Trash/Door Combo #65784
Upgrade S/Steel Lining with adjustable shelf for above.	Vertical Door #89973 Double Door #74000 Combos #89973
Upgradeable Drawers Single Drawer #09970 can only fit with #89970 when under a Grill.	Single Drawer #09970 / Large Drawer #09980 Double Drawer #56985 Gas Drawer #55712 Trash Drawer 56925
OPTIONALS	
Grill Frame optional.	#49328
Side Burner optional.	#60008 / #60009
Fridge upgrade.	#13700 / #17900
Bar Caddy optional.	#85624
Cutting Board optional. #66007	✓
Bottle Opener optional #66006.	✓
Large vertical door option for gas bottle insertion from SIDE. No linings possible on face.	#89978 RIGHT
WARRANTY DETAILS	
Island Structure.	2 years
Kitchen Top.	2 years
Gas Flexible Hose.	*2 years
*As per international Gas Safety Regulations.	*Must replace every 2 years.
PACKING DIMENSIONS	
Wooden Crate Length.	278 cm
Wooden Crate Width.	100 cm
Wooden Crate Height.	212 cm
Wooden Crate Cube.	5.89 m <sup>3</sup>
Complete Crated Weight.	Stucco 400.00Kg Rock 515.00Kg

ODK 3Mts - STANDARD

This Outdoor Kitchen is one of our first and most complete outdoor barbecue kitchens, provides a backyard entertainment centre and the space to handle all of your outdoor grilling needs. This is the ultimate grilling & entertaining station.



ODK 3Mts - UPGRADED



<b>TOP</b>	Solid Gres - Moma Antracita #43013
<b>BASE</b>	Solid Gres - Moma Antracita #33013

UPGRADES	ITEM
#25877	76cm Door / Drawer Combo
#12405	Premium Outdoor Rated Refrigerator
#56985	Double Drawer
#30008/9CE	Slide in Double Side Burner
#66006	Bottle Opener
#89976	Right Swing Vertical Door
#49328	76cm Grill Frame
#93007	34cm Finishing Frame

<b>TOP</b>	Solid Gres - Moma Antracita #43013
<b>BASE</b>	Solid Gres - Travertino Antracita #33013

UPGRADES	ITEM
#25877	76cm Door / Drawer Combo
#12405	Premium Outdoor Rated Refrigerator
#89978	Large Vertical Door
#30008/9CE	Slide in Double Side Burner
#72000CE	Rockford Fosgate Bluetooth Player
#66006	Bottle Opener
#49328	76cm Grill Frame
#93007	34cm Finishing Frame



<b>TOP</b>	Solid Gres - Nogal Wood #43013
<b>BASE</b>	Solid Gres - Oxido Negro #33013

UPGRADES	ITEM
#33569	76cm Double Door
#30008/9CE	Slide in Double Side Burner
#56925	Large Pull Out Trash Drawer
#56985	Double Drawer
#49328	76cm Grill Frame



<b>TOP</b>	Solid Gres - Moma Antracita #43013
<b>BASE</b>	Solid Gres - Tempo Antracita #33013

UPGRADES	ITEM
#25877	76cm Door / Drawer Combo
#12405	Premium Outdoor Rated Refrigerator
#56925	Large Pull Out Trash Drawer
#60008/9CE	Stainless Steel Side Burner
#66006	Bottle Opener
#49328	76cm Grill Frame



ODK - STD 3 METRES UPGRADED



UPGRADES	ITEM
#55875	97cm Door / Drawer Combo
#60008/9CE	Drop-In Single Side Burner
#89976	Right Swing Vertical door
#12405	Premium Outdoor Rated Refrigerator
#66006	Bottle Opener
#22389CE	Upgrade to Bull Premium Sink - Small
#72000CE	Rockford Fosgate Bluetooth Player



UPGRADES	ITEM
#12404	Change Grill to Bison
#30008/9CE	Slide in Double Side Burner
#56985	Double Drawer
#12405	Premium Outdoor Rated Refrigerator
#15567	Upgrade to Bull Premium Sink - Large



UPGRADES	ITEM
#34000	97cm Double Door
#56985	Double Drawer
#12400	Upgrade to Brahma Grill
#56925	Large Pull Out Trash Drawer



UPGRADES	ITEM
#55875	97cm Door / Drawer Combo
#89976	Right Swing Vertical Door
#33569	76cm Double Door
#15567	Upgrade to Bull Premium Sink - Large
#17845	Upgrade to Diablo Grill



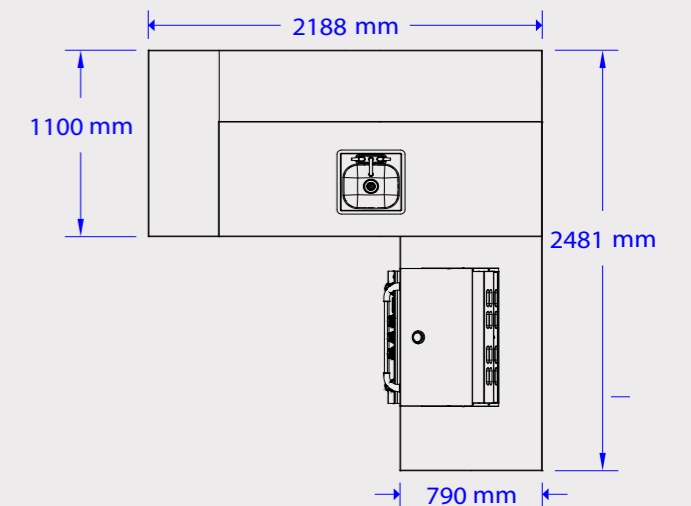
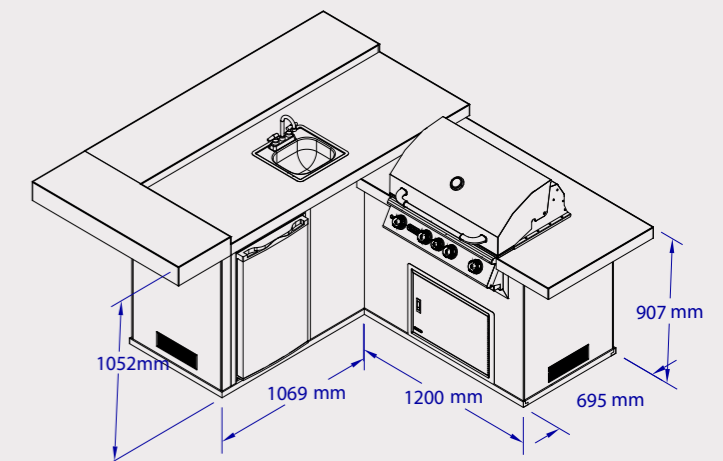
UPGRADES	ITEM
#25877	76cm Door / Drawer Combo
#72000CE	Rockford Fosgate Bluetooth Player
#12405	Premium Outdoor Rated Refrigerator
#56825	Gas Tank / Trash Drawer
#97623	76cm Bar Centre
#97625	76cm Bar Centre Finishing Frame



UPGRADES	ITEM
#55875	97cm Door / Drawer Combo
#30008/9CE	Slide in Double Side Burner
#89976	Right Swing Vertical Door
#12405	Premium Outdoor Rated Refrigerator
#17845	Upgrade to Diablo Grill
#72008	116cm Grill Frame
#93007	34cm Finishing Frame

JR - GOURMET Q

The Jr Gourmet Q - Outdoor Island Kitchen and its ample bar area can seat up to 4 people comfortably. Its smaller "L" shaped design allows for great outdoor entertainment or just simply creating your favourite recipes in a wonderful outdoor setting.



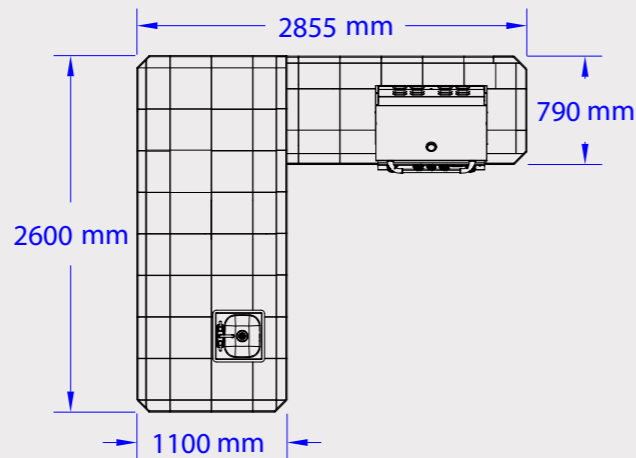
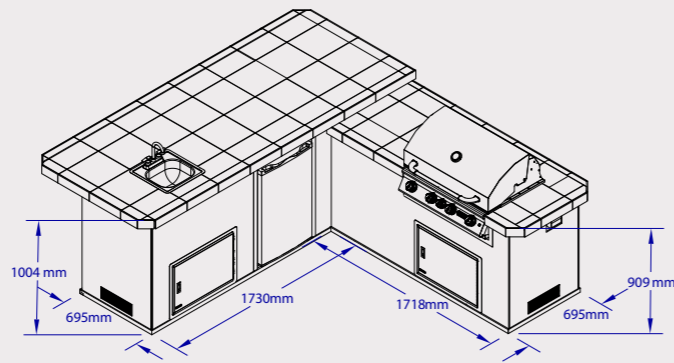
STANDARD FEATURES	
<b>STUCCO #31022</b>	
Recommended Use.	Commercial / Residential
Grill Type as Standard.	Angus #47628CE #47629CE
Standard Fridge #11002.	✓
Stucco Base Standard.	✓
Tile Top 30cm x 30cm with Bullnose	✓
Single Tone or 2-Tone.	✓
Horizontal Access Door with Lock & Key	#89970 ✓
Power outlet & Switch.	✓
Sink & Faucet Standard ✓ or N/A ✗	✗
STRUCTURE DIMENSIONS	
Base Footprint Size.	189 x 177 cm
Top Size.	247 x 218 cm
UPGRADES	
Upgrades and Downgrades of Optional Grills within the same size kitchen structure. <b>Brahma add102MM to Base and Top.</b>	Bison #88787 Lonestar #87048/9 Brahma #57568/9
Upgrade Base Options	Stucco Rock #12397 Rock/Gres #33014
Upgrade from Tile Top To Solid Gres Coverlam.	#43010
Upgrade Stainless Steel Lining with shelf for #89970	#43004
Upgradeable Doors Angus match Codes Only.	Vertical Door #89975 Double Door #33568 Door/Drawer Combo #25876 Trash/Door Combo #65784
Upgrade S/Steel Lining with adjustable shelf for Above.	Vertical Door #89973 Double Door #74000 Combos #89973
Upgradeable Drawers Single Drawer #09970 can only fit with #89970 when under a Grill.	Single Drawer #09970 / Large Drawer #09980 Double Drawer #56985 Gas Drawer #55712 Trash Drawer 56925
OPTIONALS	
Grill Frame optional.	#49328
Side Burner optional.	#60008 / #60009
Fridge optional.	#13700 / #17900
Bar Caddy optional.	#85624
Cutting Board optional. #66007	✓
Bottle Opener optional #66006.	✓
Large vertical door option for gas bottle insertion from SIDE. <b>No linings possible on face.</b>	#89978 RIGHT
WARRANTY DETAILS	
Island Structure.	2 years
Kitchen Top.	2 years
Gas Flexible Hose.	*2 years
*As per international Gas Safety Regulations.	*Must replace every 2 years.
PACKING DIMENSIONS	
Wooden Crate Length.	240/160 cm
Wooden Crate Width.	100/100 cm
Wooden Crate Height.	212 cm
Wooden Crate Cube.	8.50 m <sup>3</sup>
Complete Crated Weight.	Stucco 450.00Kg Rock 550.00Kg



STANDARD FEATURES	
<b>STUCCO #31020</b>	
Recommended Use.	Commercial / Residential
Grill Type as Standard.	Angus #47628CE #47629CE
Standard Fridge #11002.	✓
Stucco Base Standard.	✓
Tile Top 30cm x 30cm with Bullnose Single Tone or 2-Tone.	✓
Horizontal Access Door with Lock & Key	#89970 ✓
Power outlet & Switch.	✓
Sink & Faucet Standard ✓ or N/A ✗	✓
STRUCTURE DIMENSIONS	
Base Footprint Size.	239x 237 cm
Top Size.	288 x 260 cm
UPGRADES	
Upgrades and Downgrades of Optional Grills within the same size kitchen structure. <b>Brahma add102MM to Base and Top.</b>	ALL GRILLS
Upgrade Base Options	Stucco Rock #12397 Rock/Gres #33015
Upgrade from Tile Top To Solid Gres Coverlam.	#43010
Upgrade Stainless Steel Lining with middle shelf for #89970	#43003
Upgradeable Doors Angus match Codes Only.	Vertical Door #89975 Double Door #33568 Door/Drawer Combo #25876 Trash/Door Combo #65784
Upgrade S/Steel Lining with adjustable shelf for above.	Vertical Door #89973 Double Door #74000 Combos #89973
Upgradeable Drawers Single Drawer #09970 / Large Drawer #09980 Single Drawer #09970 can only fit with #89970 when under a Grill.	Double Drawer #56985 Gas Drawer #55712 / Trash Drawer 56925
OPTIONALS	
Grill Frame optional.	#49328
Side Burner optional.	#60008 / #60009
Fridge upgrade.	#13700
Bar Caddy optional.	#85624
Cutting Board optional. #66007	✓
Bottle Opener optional #66006.	✓
Large vertical door option for gas bottle insertion from SIDE. <b>No linings possible on face.</b>	#89978 LEFT
WARRANTY DETAILS	
Island Structure.	2 years
Kitchen Top.	2 years
Gas Flexible Hose.	*2 years
*As per international Gas Safety Regulations.	*Must replace every 2 years.
PACKING DIMENSIONS	
Wooden Crate Length.	263/180 cm
Wooden Crate Width.	100/92 cm
Wooden Crate Height.	202/202 cm
Wooden Crate Cube.	8.70 m <sup>3</sup>
Complete Crated Weight.	Stucco 750.00Kg Rock 990.00Kg

GOURMET Q

The Gourmet Q Outdoor Island Kitchen is the largest of our islands. Its spacious bar area is perfect for a luxurious outdoor dining experience and ideal for entertaining. With its ample space for seating you can serve up your favourite grilling recipes in style.

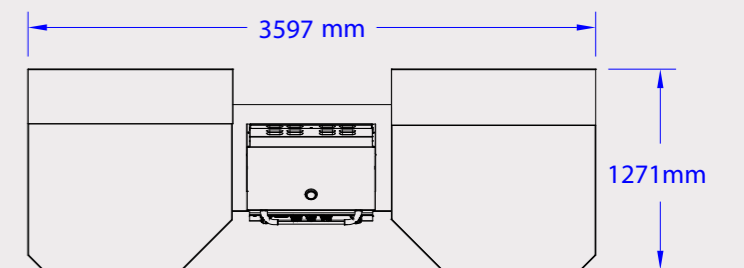
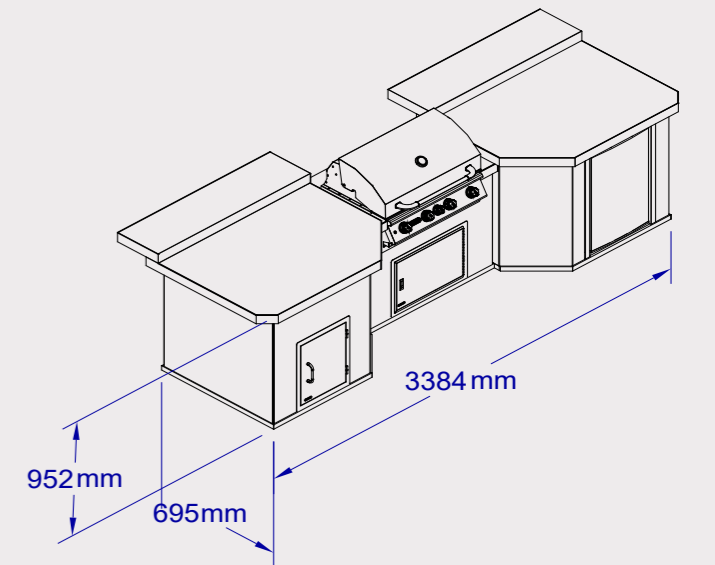


MEGA - Q

One of our newest and largest islands, the Mega Q Outdoor Island Kitchen is the ultimate grilling station.



STANDARD FEATURES	
<b>STUCCO #31083</b>	
Recommended Use.	Commercial / Residential
Grill Type as Standard.	Angus #47628CE #47629CE
Standard Fridge #11002.	✓
Stucco Base Standard.	✓
Tile Top 30cm x 30cm with Bullnose Single Tone or 2-Tone.	✓
Horizontal Access Door with Lock & Key	#89970 ✓
Power outlet & Switch.	✓
Sink & Faucet Standard ✓ or N/A ✗	✗
STRUCTURE DIMENSIONS	
Base Footprint Size.	323 x 95 cm
Top Size.	342 x 127 cm
UPGRADES	
Upgrades and Downgrades of Optional Grills within the same size kitchen structure. <b>Brahma add102MM to Base and Top.</b>	Bison #88787 Lonestar #87048/9 Brahma #57568/9
Upgrade Base Options	Stucco Rock #12397
Upgrade from Tile Top To Solid Gres Coverlam.	#43010
Upgrade Stainless Steel Lining with middle shelf for #89970	#43003
Upgradeable Doors Angus match Codes Only.	Vertical Door #89975 Double Door #33568 Door/Drawer Combo #25876 Trash/Door Combo #65784
Upgrade S/Steel Lining with adjustable shelf for above.	Vertical Door #89973 Double Door #74000 Combos #89973
Upgradeable Drawers Single Drawer #09970 / Large Drawer #09980 Single Drawer #09970 can only fit with #89970 when under a Grill.	Double Drawer #56985 Gas Drawer #55712 Trash Drawer 56925
OPTIONALS	
Grill Frame optional.	#49328
Side Burner optional.	#60008 / #60009
Fridge optional.	#13700 / #17900
Bar Caddy optional.	#85624
Cutting Board optional. #66007	✓
Bottle Opener optional #66006.	✓
Large vertical door option for gas bottle insertion from SIDE. <b>No linings possible on face.</b>	#89978 LEFT
WARRANTY DETAILS	
Island Structure.	2 years
Kitchen Top.	2 years
Gas Flexible Hose.	*2 years
*As per international Gas Safety Regulations.	*Must replace every 2 years.
PACKING DIMENSIONS	
Wooden Crate Length.	146/146/126 cm
Wooden Crate Width.	140/140/120 cm
Wooden Crate Height.	203 cm
Wooden Crate Cube.	10.57 m <sup>3</sup>
Complete Crated Weight.	Stucco 830.00Kg



CUSTOM KITCHENS

MEGA Q UPGRADED



JR. GOURMET Q UPGRADED



ODK - CUSTOM 3.5 Mts

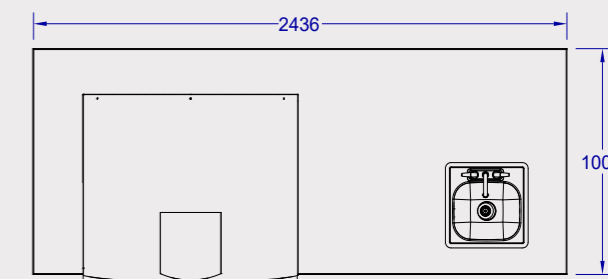
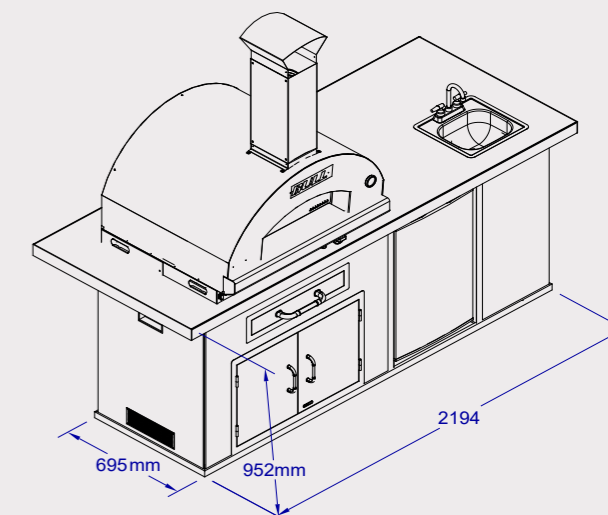


GOURMET Q - CUSTOM ANGUS / PIZZA OVEN



PIZZA - Q ISLAND

The new Pizza Q Outdoor Island Kitchen is built for the ultimate pizza party. Our new wood-fired oven is built in Italy with solid welded construction, steel & electro galvanized steel. This pre-assembled oven sits in a very functional structure that has seating at both ends of the of the bar.



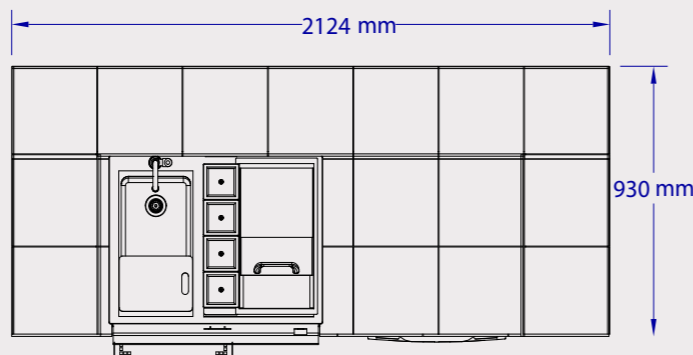
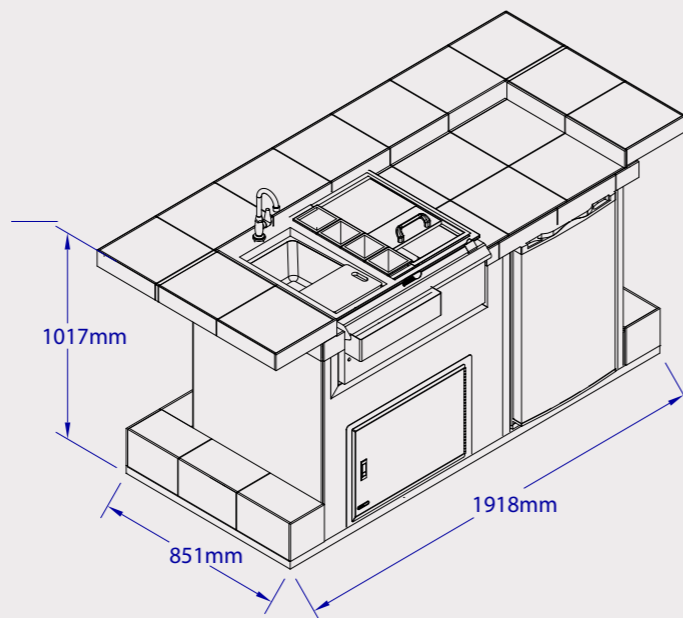
STANDARD FEATURES	
<b>STUCCO #31099 / Rock/Gres #31100</b>	
Recommended Use.	Commercial / Residential
Grill Type as Standard.	#66024
Standard Fridge #11002.	✓
Stucco Base Standard.	✓
Tile Top 30cm x 30cm with Bullnose Single Tone or 2-Tone.	✗
Horizontal Access Door with Lock & Key	#89970 ✓
Power outlet & Switch.	✗
Sink & Faucet Standard ✓ or N/A ✗	✓
STRUCTURE DIMENSIONS	
Base Footprint Size.	206 x 65 cm
Top Size.	206 x 100 cm
UPGRADES	
Upgrades and Downgrades of Optional Pizza Ovens within the same size kitchen structure.	#66040 XL Wood Oven #66124CE Large Gas Oven #66140CE XL Gas Oven
Upgrade Base Options	Stucco Rock #12397 Base tile Trim Upgrade #12406
Upgrade from Tile Top To Solid Gres Coverlam and Stainless Steel Bullnose.	#43010
Upgrade Stainless Steel Lining with middle shelf for #89970	#43003
Upgradeable Doors Angus match Codes Only.	✗
Upgrade S/Steel Lining with middle shelf for Above.	Vertical Door #89973
Upgradeable Drawers Single Drawer#09970 can fit only with #89970 when under a Grill.	✗
OPTIONALS	
Grill Frame optional.	✗
Side Burner optional.	✗
Fridge optional.	✗
Bar Caddy optional.	✗
Cutting Board optional.	✗
Bottle Opener optional #66006.	✓
Large vertical door option for gas bottle insertion from SIDE. No linings possible on face.	✗
WARRANTY DETAILS	
Island Structure.	2 years
Kitchen Top.	2 years
Gas Flexible Hose.	*2 years
*As per international Gas Safety Regulations.	*Must replace every 2 years.
PACKING DIMENSIONS	
Wooden Crate Length.	260 cm
Wooden Crate Width.	100 cm
Wooden Crate Height.	202 cm
Wooden Crate Cube.	5.25 cm
Complete Crated Weight.	Stucco 300.00Kg Rock 380.00Kg



STANDARD FEATURES	
<b>STUCCO #31031 / ROCK/GRES #31032</b>	
Recommended Use.	Commercial / Residential
Grill Type as Standard.	✗
Standard Fridge #11002.	✓
Stucco Base Standard.	✓
Rock / Gres Base Standard.	#31032 Only
Tile Top 30cm x 30cm with Bullnose Single Tone or 2-Tone.	✓
Horizontal Access Door with Lock & Key #89970	✓
Power outlet & Switch.	✗
Bar Center Standard ✓ or N/A ✗	#97623
STRUCTURE DIMENSIONS	
Base Footprint Size.	192 x 85 cm
Top Size.	213 x 93 cm
UPGRADES	
Upgrades and Downgrades of Optional Grills within the same size kitchen structure. <b>Brahma add102MM to Base and Top.</b>	✗
Upgrade Base Options	Stucco Rock #12397 Base tile Trim Upgrade #12406
Upgrade from Tile Top To Solid Gres Coverlam and Stainless Steel Bullnose.	#43010
Upgrade Stainless Steel Lining with middle shelf for #89970	#43003
Upgradeable Doors	Double Doors #33568 Dr/Drw Combo #25876 Trash/Door Combo #65785
Upgrade S/Steel Lining with middle shelf for Above.	Double Doors #74000 Combos #89973
Upgradeable Drawers Single Drawer #09970 can only fit with #89970 <b>when under a Bar Centre.</b>	Single Drawer #09970
OPTIONALS	
Grill Frame optional.	✗
Side Burner optional.	✗
Fridge optional.	#13700CE
Bar Caddy optional.	✗
Cutting Board optional.	✗
Bottle Opener optional #66006.	✗
Large vertical door option for gas bottle insertion from SIDE. <b>No linings possible on face.</b>	✗
WARRANTY DETAILS	
Island Structure.	2 years
Kitchen Top.	2 years
Gas Flexible Hose.	✗
*As per international Gas Safety Regulations.	✗
PACKING DIMENSIONS	
Wooden Crate Length.	261cm
Wooden Crate Width.	100 cm
Wooden Crate Height.	115 cm
Wooden Crate Cube.	3.61 m <sup>3</sup>
Complete Crated Weight.	Stucco 300.00Kg Rock 380.00Kg

## ENTERTAINERS - BAR

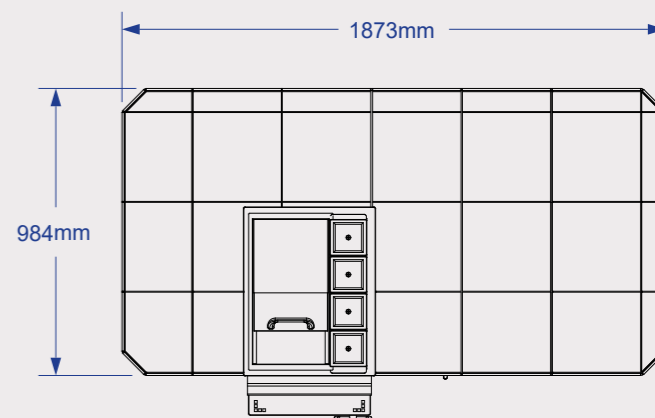
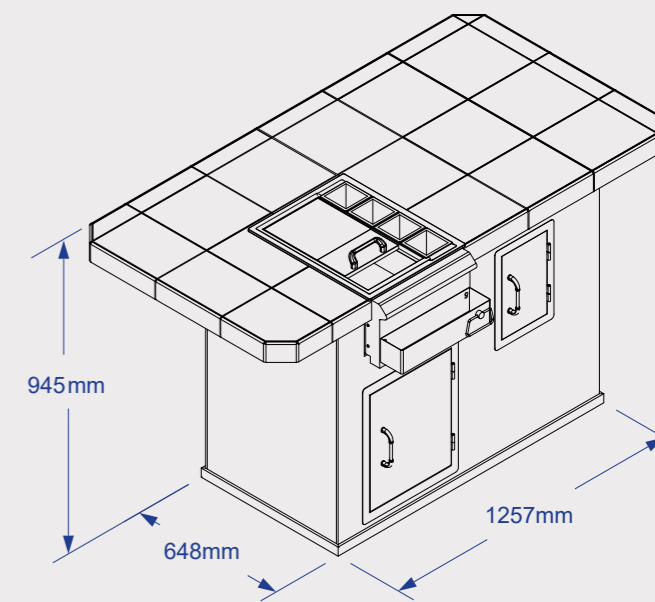
The Entertainer's Bar is a wonderful choice for those looking to have guests over for cocktails. This bar also includes plenty of counterspace for appetizers or whatever you choose to serve your guests.



STANDARD FEATURES	
<b>STUCCO #31047 / ROCK/GRES #31048</b>	
Recommended Use.	Commercial / Residential
Grill Type as Standard.	✗
Standard Fridge #11002.	✗
Stucco Base Standard.	✓
Rock / Gres Base Standard.	#31048 Only
Tile Top 30cm x 30cm with Bullnose Single Tone or 2-Tone.	✓
Horizontal Access Door with Lock & Key #89970	✓
Power outlet & Switch.	✗
Sink & Faucet Standard ✓ or N/A ✗	#85624
STRUCTURE DIMENSIONS	
Base Footprint Size.	126 x 65 cm
Top Size.	188 x 99 cm
UPGRADES	
Upgrades and Downgrades of Optional Grills within the same size kitchen structure. <b>Brahma add102MM to Base and Top.</b>	✗
Upgrade Base Options	Stucco Rock #12397/ Base tile Trim Upgrade #12406
Upgrade from Tile Top To Solid Gres Coverlam and Stainless Steel Bullnose.	#43010
Upgrade Stainless Steel Lining with middle shelf for #89970	#LINHD
Upgradeable Doors	#89975 #98552
Upgrade S/Steel Lining with middle shelf for Above.	Vertical Door #89973
Upgradeable Drawers Single Drawer #09970 can only fit with #89970 <b>when under a Bar Centre.</b>	✗
OPTIONALS	
Grill Frame optional.	✗
Side Burner optional.	✗
Fridge optional.	✗
Bar Caddy optional.	✗
Cutting Board optional.	✗
Bottle Opener optional #66006.	✓
Large vertical door option for gas bottle insertion from SIDE. <b>No linings possible on face.</b>	✗
WARRANTY DETAILS	
Island Structure.	2 years
Kitchen Top.	2 years
Gas Flexible Hose.	*2 years
*As per international Gas Safety Regulations.	*Must replace every 2 years.
PACKING DIMENSIONS	
Wooden Crate Length.	140 cm
Wooden Crate Width.	100 cm
Wooden Crate Height.	115 cm
Wooden Crate Cube.	1.61 m <sup>3</sup>
Complete Crated Weight.	Stucco 300.00Kg - Rock 400.00Kg

## POWER - BAR

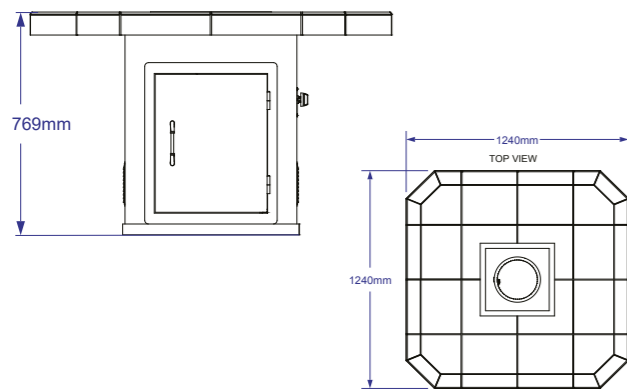
The Power Bar - Outdoor Island is a great place to gather around with friends and family for refreshments. This Island comfortably seats 4 adults. The 458mm Bar Centre is the perfect place to chill your favourite drinks and condiments.



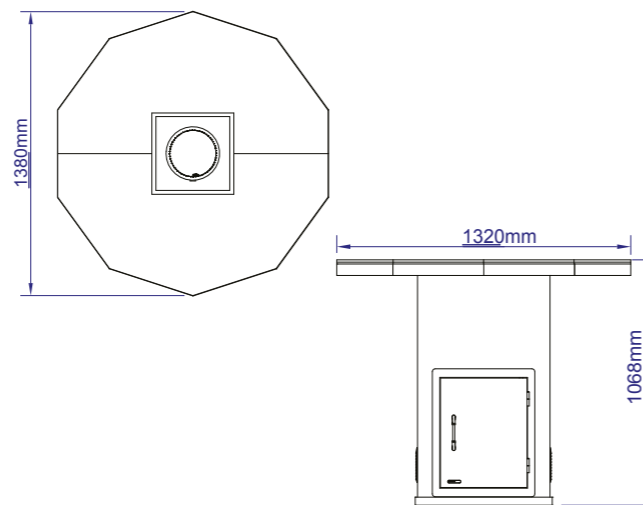




SQUARE LOW FIRE TABLE



DECAGON BAR FIRE TABLE



Fire Table shown in Boulevard Paulista/Andrassy Tile  
 Upgrade Stucco Rock SR12 Stony Creek #3341 Tempered Glass #03341  
 Available in Natural Gas or Propane

Base Finishes: Stucco (Standard)



Cream - 9312



Blue Gray - 68

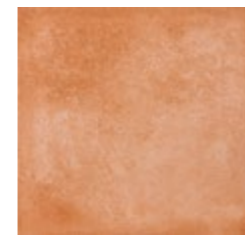


Aspin - 90

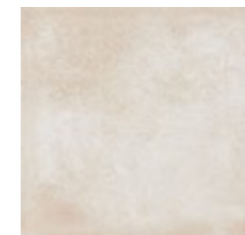


Mesa Tan - 9315

Porcelain Tile Tops (Standard)



AB Cotto



AB Paja



AR Marango



AR Perla

ABADIA

ARGON



BV Reforma



BV Gracia



BV Paulista



BV Andrassy

BOULEVARD



HS Noce



HS Beige



HS Cream



HS Grey

HOMESTEAD



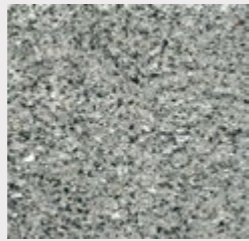
Base Finishes: Stucco Rock (Option)



Stony Creek - 12



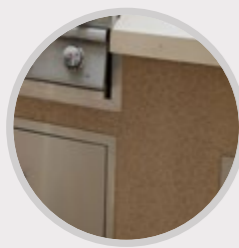
White Ash - 14



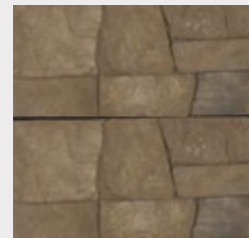
Champagne Grey - 16



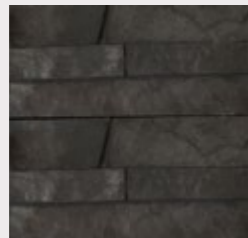
River Rock - 15



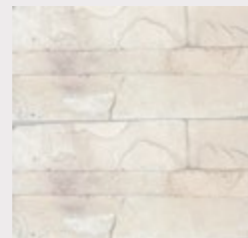
Base Finishes: Rock (Option)



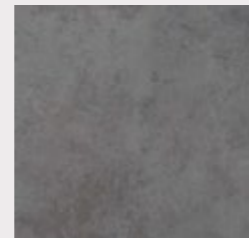
Golden Harvest



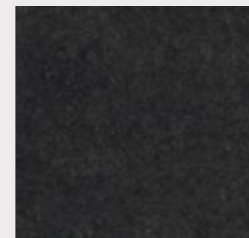
Grey Stone



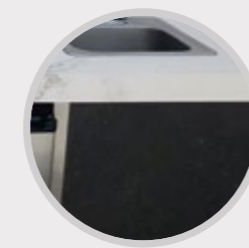
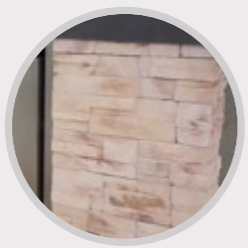
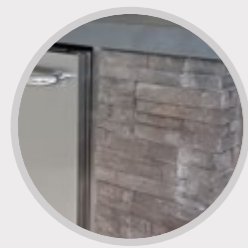
Mesa white



Tempo Antracita



Bluestone Negro



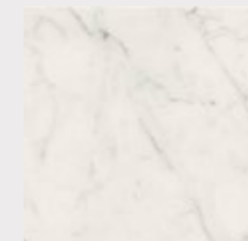
\*\* Due to potential colour differences among computer monitors & printers we cannot guarantee that the colour you see on page is an exact colour reproduction of finished product. Colours may also vary between product lot numbers.

Solid Gres Upgrades for Tops or Bases

**GRES PANIA** CERAMICA COVERLAM 3.5mm



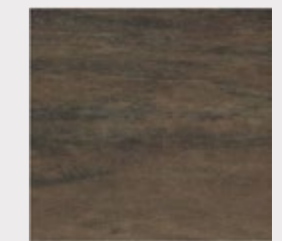
CL Travertino White



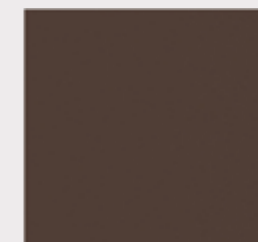
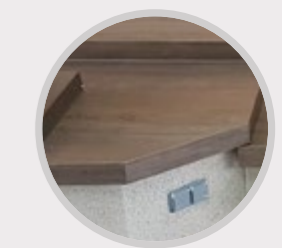
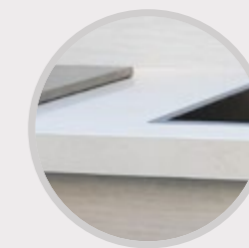
CL Estuario White



CL Supremo Pulido (Polished)



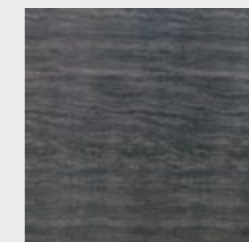
CL Nogal Wood



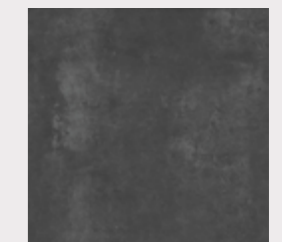
CL Basic Tobacco



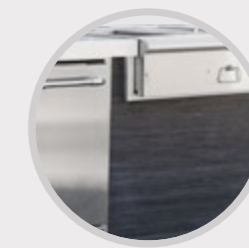
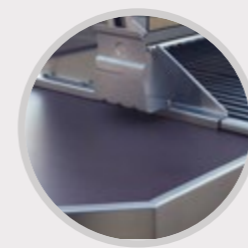
CL Oxido Negro



CL Travertino Antracita



CL Moma Antracita



\*\* Due to potential colour differences among computer monitors & printers we cannot guarantee that the colour you see on page is an exact colour reproduction of finished product. Colours may also vary between product lot numbers.





<b>Bull® Pizza Stone for Grill</b>		<b># 24125</b>	
Refractory stone.			
Stainless steel base with thermometer.			
CTN Length	0.44 Mts	CTN Height	0.16 Mts
CTN Width	40.0 Mts	CTN Weight	4.50 Kg 2 Pcs



<b>Bull® Pizza Stone Scrubber</b>		<b># 24127</b>	
Stainless steel bristles.			
Ergonomic handle.			
CTN Length	0.47 Mts	CTN Height	0.16 Mts
CTN Width	0.12.5 Mts	CTN Weight	2.00 Kg 6 Pcs



<b>Bull® Pizza Cutter</b>		<b># 24128</b>	
Stainless steel Blade.			
Wood handle.			
CTN Length	0.38 Mts	CTN Height	0.08 Mts
CTN Width	0.15 Mts	CTN Weight	2.21 Kg 4 Pcs



<b>Bull® 382mm Pizza Stone</b>		<b># 24208</b>	
Refractory stone.			
CTN Length	0.46 Mts	CTN Height	0.17 Mts
CTN Width	0.45 Mts	CTN Weight	12.0 Kg 3 Pcs



<b>Bull® Hardwood Rolling Pin</b>		<b># 24222</b>	
Silicon rings for 3mm crust.			
CTN Length	0.49 Mts	CTN Height	0.15 Mts
CTN Width	0.11 Mts	CTN Weight	3.29 Kg 6 Pcs



<b>Bull® Wood Pizza Peel</b>		<b># 24224</b>	
All wood.			
CTN Length	0.38 Mts	CTN Height	0.75 Mts
CTN Width	0.62 Mts	CTN Weight	4.49 Kg 4 Pcs



<b>Bull® Professional Pizza Tools Kit with Black Powder Coated Stand</b>		<b># 66035</b>	
Professional Grade Aluminum Tools with 1mtr Handle & Wood Grip			
Contains Turning Peel, Ash Shovel, Brass Bristle Brush, Ember Mover, Scraper			
CTN Length	1.40 Mts	CTN Height	0.40 Mts
CTN Width	0.40 Mts	CTN Weight	15 Kg 1 Pcs





GRILLING TOOLS

<b>Bull® Spatula</b>		<b>#24101</b>		
Stainless Steel construction with contoured Wood handle and Built-in Bottle Opener.				
CTN Length	0.56 Mts	CTN Height	0.9 Mts	
CTN Width	0.21 Mts	CTN Weight	3.10 Kg	6 Pcs



<b>Bull® Tongs</b>		<b>#24102</b>		
Stainless Steel construction with contoured Wood Grip.				
CTN Length	0.47 Mts	CTN Height	0.26 Mts	
CTN Width	0.11 Mts	CTN Weight	3.24 Kg	6 Pcs



<b>Bull® Big Head Grill Brush</b>		<b>#24103</b>		
Stainless Steel Construction with contoured handle & replaceable oversized brush head #24235.				
CTN Length	0.51 Mts	CTN Height	0.28 Mts	
CTN Width	0.12 Mts	CTN Weight	3.41 Kg	6 Pcs



<b>Bull® Basting Brush with Silicone Head</b>		<b>#24130</b>		
Wood Handle with Silicon removable Head Brush for easy cleaning.				
CTN Length	0.41 Mts	CTN Height	0.12 Mts	
CTN Width	0.15 Mts	CTN Weight	1.60 Kg	12 Pcs



GRILLING TOOLS

<b>Pit Mit® - The Ultimate BBQ Mitt</b>		<b>#24134</b>	
Pit Mit Gloves withstands extreme heat up to 246 degree Celsius.			
Reversible to fit both left or right hands, With Silicone Bull Logo.			
CTN Length	0.38 Mts	CTN Height	0.10 Mts
CTN Width	0.18 Mts	CTN Weight	1.03 Kg 6 Pcs



<b>Bull® Grill Scraper</b>		<b># 24142</b>	
Tailored to fit Bull Grill Grates.			
CTN Length	0.52 Mts	CTN Height	0.8 Mts
CTN Width	0.15 Mts	CTN Weight	2.41 Kg 12 Pcs



<b>Bull® Grill Grate Lifter</b>		<b># 24145</b>	
S/Steel Construction, Heat Shield protects hands from the heat, Sturdy enough to lift heavy Stainless Steel and Cast Iron Grates.			
CTN Length	0.35 Mts	CTN Height	0.38 Mts
CTN Width	0.15 Mts	CTN Weight	3.43 Kg 6 Pcs



<b>Bull® Hardwood Long Handle Tongs</b>		<b># 24282</b>	
S/Steel Construction, The saw tooth design is great for handling delicate fish or juicy steaks. it's a must have for your outdoor kitchen.			
CTN Length	0.23 Mts	CTN Height	0.20 Mts
CTN Width	0.56 Mts	CTN Weight	14 Kg 24 Pcs



GRILLING TOOLS

<b>Bull® Hardwood Long Handle Knife</b>		<b># 24283</b>	
S/Steel Construction. With the long handled feature the Bull Grill Master Knife will allow you to carve right off the BBQ.			
CTN Length	0.13 Mts	CTN Height	0.15 Mts
CTN Width	0.54 Mts	CTN Weight	7.10 Kg 24 Pcs



<b>Bull® Hardwood Long Handle Spatula</b>		<b># 24284</b>	
S/Steel Construction. The perforated elongated design is great for handling delicate fish or juicy burgers.			
CTN Length	0.28 Mts	CTN Height	0.18 Mts
CTN Width	0.53 Mts	CTN Weight	10.20 Kg 24 Pcs



GRILLING AIDS

<b>Bull® Marinade Injector</b>		<b># 24205</b>	
Long S/Steel Needle that allows for easy injection of flavours for grilling the perfect meat.			
CTN Length	0.23 Mts	CTN Height	0.22 Mts
CTN Width	0.12 Mts	CTN Weight	1.45 Kg 12 Pcs



<b>Bull® Bamboo Chopping Block</b>		<b># 52565</b>	
Extremely durable, less prone to bacteria composed of natural bamboo and can handle the toughest cutting and chopping jobs.			
CTN Length	0.58 Mts	CTN Height	0.6 Mts
CTN Width	0.40 Mts	CTN Weight	5.5 Kg 1 Pcs



GRILLING AIDS

<b>Bull® Cast Iron Rectangular Grill Press</b>		<b>#24132</b>	
Cast Iron Construction, measuring 11.5 cm W x 23 cm L.			
Wood handle.			
CTN Length	0.34 Mts	CTN Height	0.25 Mts
CTN Width	0.14 Mts	CTN Weight	8.69 Kg 6 Pcs



<b>Bull® Cedar Wood Grilling Planks/Set 3</b>		<b># 24146</b>	
The Cedar wood Grilling Planks are great for fish and infuse food with the delicious flavour of smoked cedar. Set of 3.			
CTN Length	0.24 Mts	CTN Height	0.16 Mts
CTN Width	0.31 Mts	CTN Weight	3.90 Kg 6 Pcs



<b>Bull® Plank Saver with Side Handles</b>		<b># 24147</b>	
Stainless Steel Construction, re-usable tray with side easy grip handle, ideal to serve straight from the grill to the table.			
CTN Length	0.38 Mts	CTN Height	0.16 Mts
CTN Width	0.17 Mts	CTN Weight	2.90 Kg 12 Pcs

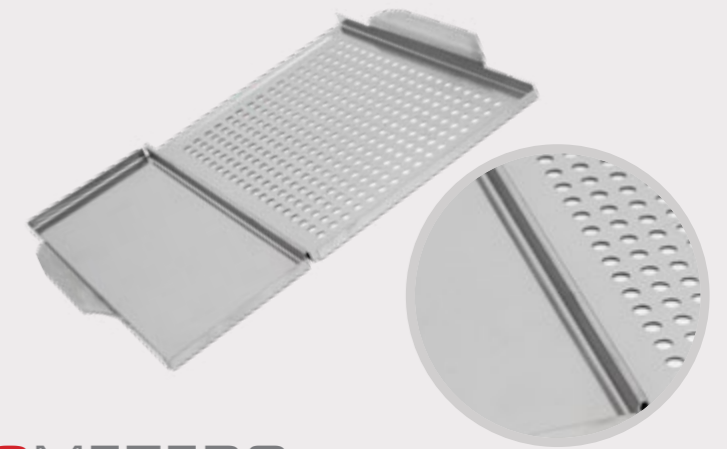


<b>Bull® V - Shaped Smoker Box</b>		<b># 24112</b>	
Stainless Steel Construction, can be used with Wood Chips for an authentic wood smoke flavour on gas grills.			
CTN Length	0.22 Mts	CTN Height	0.20 Mts
CTN Width	0.26 Mts	CTN Weight	2.25 Kg 6 Pcs



GRILLING AIDS

<b>Bull® Dual Grilling Grid &amp; Plank Saver</b>		<b># 24286</b>	
S/Steel Construction. Dual Grilling Grid and Plank Saver gives you the versatility to grill small items that normally fall through the grill grates.			
CTN Length	0.33 Mts	CTN Height	0.11 Mts
CTN Width	0.45 Mts	CTN Weight	8.10 Kg 6 Pcs



<b>Bull® Instant Digital Thermometer</b>		<b># 24137</b>	
Instant response with folding probe, locks into multiple angles, switches between Fahrenheit and Celsius.			
CTN Length	0.22 Mts	CTN Height	0.20 Mts
CTN Width	0.13 Mts	CTN Weight	0.80 Kg 6 Pcs



<b>Bull® Reusable Steak Button Set of 4</b>		<b># 24228</b>	
With Silicon rings, cooks your steak exactly how you want it, temperature setting of rare, medium and well done.			
CTN Length	0.25 Mts	CTN Height	0.12 Mts
CTN Width	0.17 Mts	CTN Weight	0.91 Kg 6 Pcs



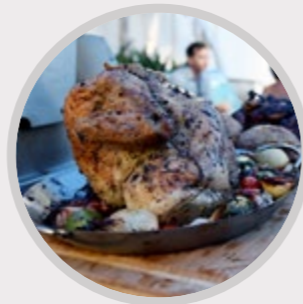
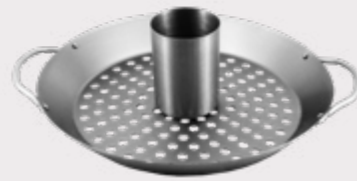
GRILL TOP COOKING

<b>Bull® Traditional Wok</b>		<b># 24260</b>	
Made to fit Power Burner.			
CTN Length	0.52 Mts	CTN Height	0.44 Mts
CTN Width	1.01 Mts	CTN Weight	17.0 Kg 4 Pcs

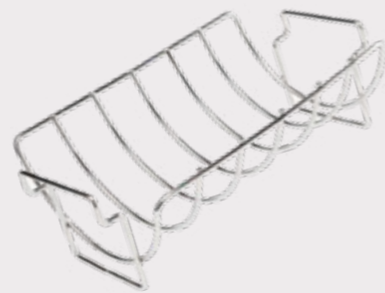


GRILL TOP COOKING

<b>Bull® Convertible Wok/Rack</b>		<b># 24106</b>	
Convertible Wok / Vertical Poultry Rack			
Stainless Steel Construction with removable Basting Cup.			
CTN Length	0.33 Mts	CTN Height	0.34 Mts
CTN Width	0.33 Mts	CTN Weight	2.20 Kg 4 Pcs



<b>Bull® Reversible Roasting/Rib Rack</b>		<b># 24107</b>	
S/ Steel Construction, grills up to six slabs of ribs upright at one time and can grill a whole turkey, chicken or large roast.			
CTN Length	0.42 Mts	CTN Height	0.28 Mts
CTN Width	0.27 Mts	CTN Weight	4.08 Kg 6 Pcs

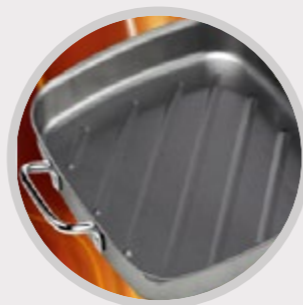


<b>Bull® Chili Pepper Grill Rack &amp; Knife</b>		<b># 24116</b>	
Stainless Steel Construction, Patented Pepper Corer, holds 18 Peppers. Wood handle knife.			
CTN Length	0.29 Mts	CTN Height	0.19 Mts
CTN Width	0.31 Mts	CTN Weight	2.89 Kg 6 Pcs



GRILL TOP COOKING

<b>Bull® Non-Stick Square Grill Pan</b>		<b># 24120</b>	
S/ Steel Construction, silver non-stick finish and indented corners for pouring excess liquids.			
CTN Length	0.41 Mts	CTN Height	0.13 Mts
CTN Width	0.31 Mts	CTN Weight	4.67 Kg 4 Pcs



GRILL TOP COOKING

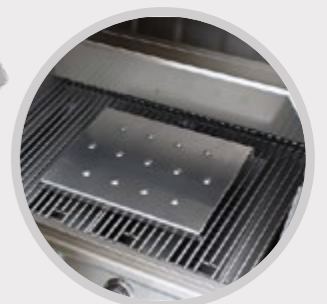
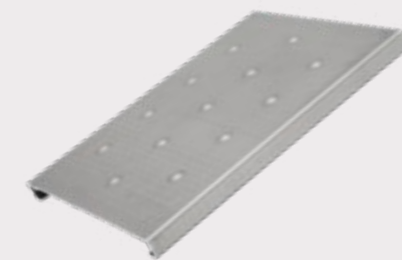
<b>Bull® Non-Stick Oval Grill Pan</b>		<b># 24121</b>	
S/Steel Construction, silver non-stick finish great for grilling fish, small vegetables, and other delicate foods.			
CTN Length	0.42 Mts	CTN Height	0.15 Mts
CTN Width	0.23 Mts	CTN Weight	5.61 Kg 6 Pcs



<b>Bull® Sauce Pot &amp; Basting Brush</b>		<b># 24129</b>	
Pre seasoned Cast Iron Grill Sauce Pot, comes with a Silicon and Stainless Steel Basting Brush.			
CTN Length	0.35 Mts	CTN Height	0.11 Mts
CTN Width	0.24 Mts	CTN Weight	4.21 Kg 4 Pcs



<b>Bull® BBQ Oven Plate</b>		<b># 24165</b>	
Stainless Steel Construction, turns your conventional oven into a Confectioner oven to make scrumptious desserts.			
CTN Length	0.42 Mts	CTN Height	0.04 Mts
CTN Width	0.32 Mts	CTN Weight	2.45 Kg 1 Pcs



<b>Bull® S/Steel Grill Clips x 4</b>		<b># 24206</b>	
S/ Steel Construction , Helps to grill individual portions of vegetables with ease and ideal for long type vegetables.			
CTN Length	0.32 Mts	CTN Height	0.13 Mts
CTN Width	0.26 Mts	CTN Weight	2.60 Kg 6 Pcs

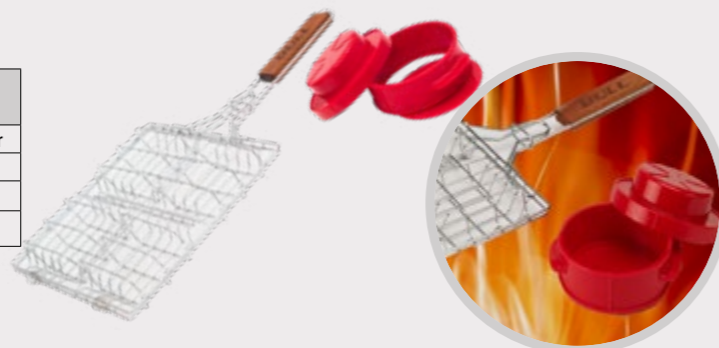


GRILLING BASKETS

<b>Bull® Flexible Grilling Basket</b>		<b># 24109</b>	
S/Steel Construction, Flexi wire that expands to shape of your food. Great for Chicken, fish and veg, with stay cool handle.			
CTN Length	0.57 Mts	CTN Height	0.12 Mts
CTN Width	0.43 Mts	CTN Weight	5.59 Kg 6 Pcs

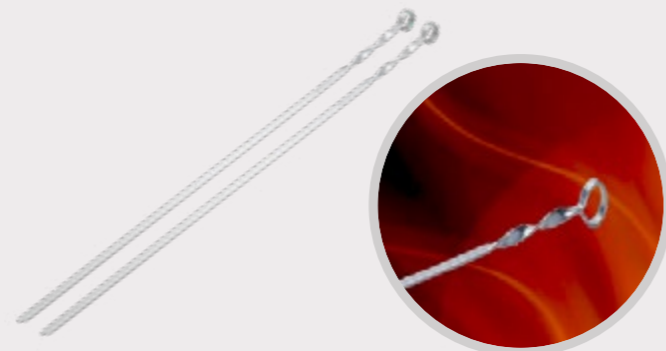


<b>Bull® Stuff-A-Burger Basket &amp; Press</b>		<b># 24226</b>	
S/Steel Construction, Personalise your burger by stuffing it with your favourite filling and cook to perfection.			
CTN Length	0.54 Mts	CTN Height	0.30 Mts
CTN Width	0.35 Mts	CTN Weight	5.85 Kg 6 Pcs



KNOBS & SKEWERS

<b>Bull® Jumbo Diablo Skewer Set x 2 (70cm Long)</b>		<b># 24280</b>	
S/Steel Construction, designed for the new Bull 117cm Diablo BBQ. For skewering whole Cornish game hens, or large cuts of veg.			
CTN Length	0.11 Mts	CTN Height	0.05 Mts
CTN Width	0.78 Mts	CTN Weight	0.40 Kg 1 Pcs



<b>Bull® Single Kabob Basket Set x 4</b>		<b># 24113</b>	
S/Steel Construction, Rosewood handles, grills kabobos without skewering, great for vegetables and chicken.			
CTN Length	0.63 Mts	CTN Height	0.18 Mts
CTN Width	0.22 Mts	CTN Weight	7.20 Kg 6 Pcs



KNOBS & SKEWERS

<b>Bull® Circle Kabob Skewers Set x 4</b>		<b># 24119</b>	
S/Steel Construction, curved to fit round plates, the unique shape skewers makes for great presentation.			
CTN Length	0.44 Mts	CTN Height	0.12 Mts
CTN Width	0.20 Mts	CTN Weight	1.48 Kg 6 Pcs



<b>Bull® Double Prong Skewers Set x 4</b>		<b># 24122</b>	
Stainless Steel Construction, wood handles. Extra wide Prong skewers food from slipping and spinning.			
CTN Length	0.44 Mts	CTN Height	0.15 Mts
CTN Width	0.21 Mts	CTN Weight	2.54 Kg 6 Pcs



<b>Bull® Signature Skewers Set x 6</b>		<b># 24123</b>	
S/Steel Construction, Extra wide skewers keeps food from slipping and spinning.			
CTN Length	0.49 Mts	CTN Height	0.15 Mts
CTN Width	0.21 Mts	CTN Weight	3.80 Kg 6 Pcs



<b>Bull® Flexible Wire Skewers Set x 4</b>		<b># 24124</b>	
S/Steel Construction, flexible design holds more and allows for more effective use of space on the grill.			
CTN Length	0.09 Mts	CTN Height	0.12 Mts
CTN Width	0.24 Mts	CTN Weight	1.00 Kg 12 Pcs





CHARCOAL

<b>Bull® Lump Charcoal</b>		<b># 66538</b>		
The natural mesquite Bull Lump Charcoal burns longer with more flavour than regular charcoal.				
CTN Length	0.42 Mts	CTN Height	0.55 Mts	
CTN Width	0.16 Mts	CTN Weight	10.0 Kg	1 Pcs



REPAIR & CLEANING TOOLS

<b>Scratch-B-Gone Homeowners Kit</b>		<b># 02043</b>		
Removes scratches, rust, heat scorch, and stains from your S/ Steel Barbecue, Sink and Appliance. Residential-size kit.				
CTN Length	0.46 Mts	CTN Height	0.35 Mts	
CTN Width	0.37 Mts	CTN Weight	3.10 Kg	10 Pcs



REPAIR & CLEANING TOOLS

<b>60 cm Grill Grease Foil Tray Liners</b>		<b># 24267</b>		
Pack of 3, fits Steer and Plancha Grill. Disposable and easy to install, (Size 41 x 38cm).				
CTN Length	0.46 Mts	CTN Height	0.90 Mts	
CTN Width	0.48 Mts	CTN Weight	6.50 Kg	48 Pcs



<b>76 cm Grill Grease Foil Tray Liners</b>		<b># 24268</b>		
Pack of 12, fits most Grills such as BULL Angus, Lonestar Select & Outlaw Grills. Disposable and easy to install, (Size 53 x 39cm).				
CTN Length	0.58 Mts	CTN Height	0.12 Mts	
CTN Width	0.48 Mts	CTN Weight	1.81 Kg	12 Pcs



REPAIR & CLEANING TOOLS

<b>97 cm Grill Grease Foil Tray Liners</b>		<b># 24269</b>		
Pack of 12, fits 97cm Grills and perfectly fits the BULL Brahma Grill. Disposable and easy to install, (Size 72 x 39cm).				
CTN Length	0.75 Mts	CTN Height	0.15 Mts	
CTN Width	0.45 Mts	CTN Weight	2.27 Kg	12 Pcs



<b>Bull® Long Handle Spiral Brush</b>		<b># 24236</b>		
With 2 Hand Grip - Colour Red.				
CTN Length	0.44 Mts	CTN Height	0.17 Mts	
CTN Width	0.27 Mts	CTN Weight	3.40 Kg	12 Pcs



<b>Bull® Long Handle Spiral Brush</b>		<b># 24237</b>		
Colour Grey & Red.				
CTN Length	0.44 Mts	CTN Height	0.12 Mts	
CTN Width	0.26 Mts	CTN Weight	2.13 Kg	12 Pcs



<b>Bull® Dual Handle Monster Brush</b>		<b># 24238</b>		
Spiral Head with replaceable head #24239.				
CTN Length	0.56 Mts	CTN Height	0.24 Mts	
CTN Width	0.18 Mts	CTN Weight	3.00 Kg	6 Pcs



REPAIR & CLEANING TOOLS

<b>Bull® Dual Handle Mega Monster Brush</b>		<b># 24141</b>	
TDual Handle Mega Monster Brush has stainless steel bristles, a grill scraper, and a hook for hanging.			
CTN Length	0.57 Mts	CTN Height	0.23 Mts
CTN Width	0.25 Mts	CTN Weight	4.20 Kg 6 Pcs



<b>Bull® Plastic Brush with Long Handle</b>		<b># 24139</b>	
Two in One Plastic Handle Brush with S/Steel Bristle and Nylon Grid scrapper. (Image viewing brush on both sides).			
CTN Length	0.49 Mts	CTN Height	0.15 Mts
CTN Width	0.24 Mts	CTN Weight	3.96 Kg 12 Pcs



Grill Brush Replacement Heads

<b>Bull® Replacement Head</b>		<b># 24235</b>	
Big Head Grill Brush Replacement Head for #24103 & #24218.			
CTN Length	0.13 Mts	CTN Height	0.12 Mts
CTN Width	0.23 Mts	CTN Weight	1.00 Kg 6 Pcs



<b>Bull® Replacement Head</b>		<b># 24239</b>	
Dual Handle Spiral Head Monster Brush Replacement for #24238.			
CTN Length	0.25 Mts	CTN Height	0.15 Mts
CTN Width	0.17 Mts	CTN Weight	1.72 Kg 12 Pcs



TUMBLERS

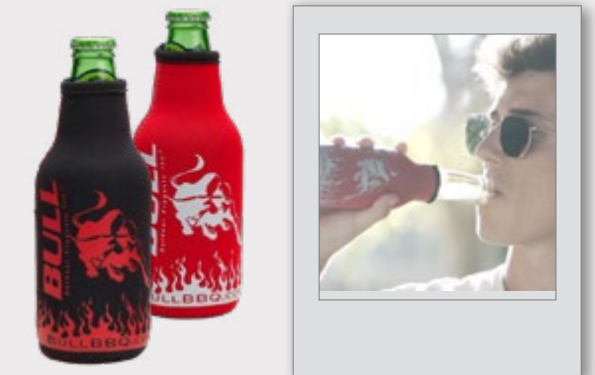
<b>592ml. ReliaBull Tumbler</b>		<b># 12000</b>	
Stainless steel tumbler, Vacuum Insulated technology, keeps beverages hot or cold for an extremely long amount of time.			
CTN Length	0.20 Mts	CTN Height	0.18 Mts
CTN Width	0.02 Mts	CTN Weight	1.50 Kg 4 Pcs



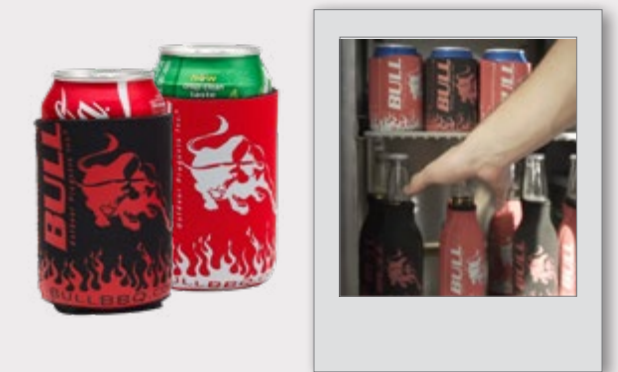
<b>887ml. ReliaBull Tumbler</b>		<b># 12001</b>	
XL Stainless steel tumbler, Vacuum Insulated technology, keeps beverages hot or cold for an extremely long amount of time.			
CTN Length	0.22 Mts	CTN Height	0.21 Mts
CTN Width	0.22 Mts	CTN Weight	2.00 Kg 4 Pcs



<b>Neoprene Bottle Koozies</b>		<b>#27001 / #27002</b>	
Keep your bottled drinks cool while you cook. Available in red #27001 or black #27002.			



<b>Neoprene Can Koozies</b>		<b># 27003 / #27004</b>	
Keep your canned drinks cool while you cook. Available in red #27003 or black #27004.			



**The objective of Bull is to provide the  
"Ultimate Outdoor Experience"**



We produce a quality product for more than half the price of our competitors. We can achieve this because our focus is only on the barbecue business.

By focusing on our core element, we can guarantee continuous improvement in quality and performance, both in our products and operations.

We work closely with designers, builders and contractors to make sure that our products are in line with the market requirements.

visit [bullbbq.eu](http://bullbbq.eu) or contact us at (356) 99 79 20 77  
The Brand Choice for Commercial and Professional BBQ's

email: [info@bullbbq.eu](mailto:info@bullbbq.eu) - web: [www.bullbbq.eu](http://www.bullbbq.eu)  
Zamco Building, Mill Street, Qomi - QRM 3103 - Malta - Tel: (+356) 99 79 20 77

**BULL**  
EUROPE 

©2018 Bull Outdoor Products. All Rights Reserved.

R180727A