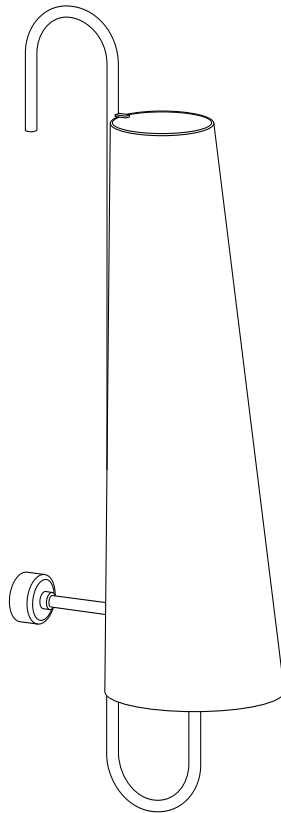


# Ancora Wall Lamp

---

Assembly manual - North America



**ferm**  
L I V I N G

## General Instructions

PLEASE READ BEFORE INSTALLATION

### WARNING:

The safety of this fitting can only be guaranteed if the following instructions are observed during both installation and use. Please retain these instructions safely after installation.

### PLEASE OBSERVE THE FOLLOWING GUIDELINES:

- Ensure that the power supply has been switched off prior to installation or removal of the product.
- Never undertake an electrical installation without the proper knowledge or training. If not familiar with electrical wiring, contact a qualified electrician.
- The product may in no way be modified or tampered with. Any modification may compromise safety and make the product itself dangerous to use. FERM LIVING does not accept any responsibility for products that have been modified.
- This product requires the use of a lightbulb that is not included. Please use a lightbulb that has the relevant safety certifications and approvals for your area.
- Any modification must be performed only by qualified personnel to avoid any danger.
- This product is meant for indoor use only.
- This appliance should not be disposed in a domestic trash receptacle and should instead be recycled appropriately.
- Caution - risk of fire  
Attention - risque d'incendie
- Household use  
Usage domestique
- Wall mount only  
Installation murale seulement
- Caution: to prevent electric shock, match wide blade of plug to wide slot, fully insert.  
Attention : pour éviter les chocs électriques, faites correspondre la lame large du bouchon à la fente large.

### POLARIZATION INSTRUCTION:

This portable luminaire has a polarized plug (one blade is wider than the other) as a feature to reduce the risk of electric shock. This plug will fit in a polarized outlet only one way. If the plug does not fit fully in the outlet, reverse the plug. If it still does not fit, contact a qualified electrician. Never use with an extension cord unless plug can be fully inserted. Do not alter the plug

### CLEANING INSTRUCTIONS:

- Use only a soft cloth to clean the product.

### MORE INFORMATION:

To access further information such as product overview and material descriptions, please visit our website at [www.fermliving.com](http://www.fermliving.com). If you have any questions or comments, please do not hesitate to contact us at [info@fermliving.com](mailto:info@fermliving.com).

## Technical Specifications

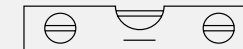
### ANCORA WALL LAMP:

Voltage:	120V - 60Hz
Dimmable:	No
Certification:	ETL, CUL
Classification:	IP20 Class II
Socket:	E26 socket base
Recommended light source:	2pcs Type A light bulb, 2 x Max.40W Incandescent Lamp, or 2x Max. 8W LED Lamp. (Bulb not included)

## Needed Tools

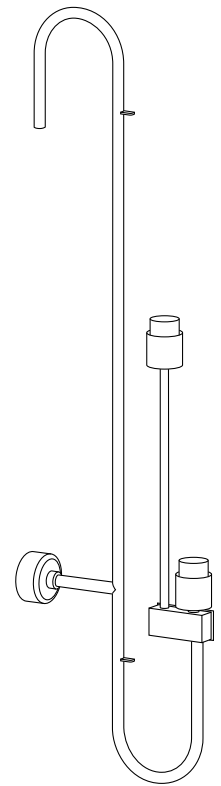


Phillips head screwdriver

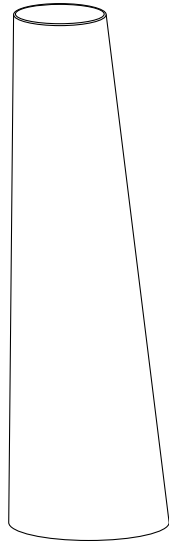


Spirit level

## Box Content



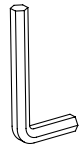
1 x Lamp Base



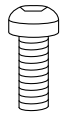
1 x Lamp Shade



1 x Small slotted  
screwdriver



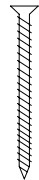
1 x Allen key



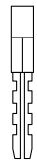
2 x  
Lamp shade screw



1 x  
Set screw



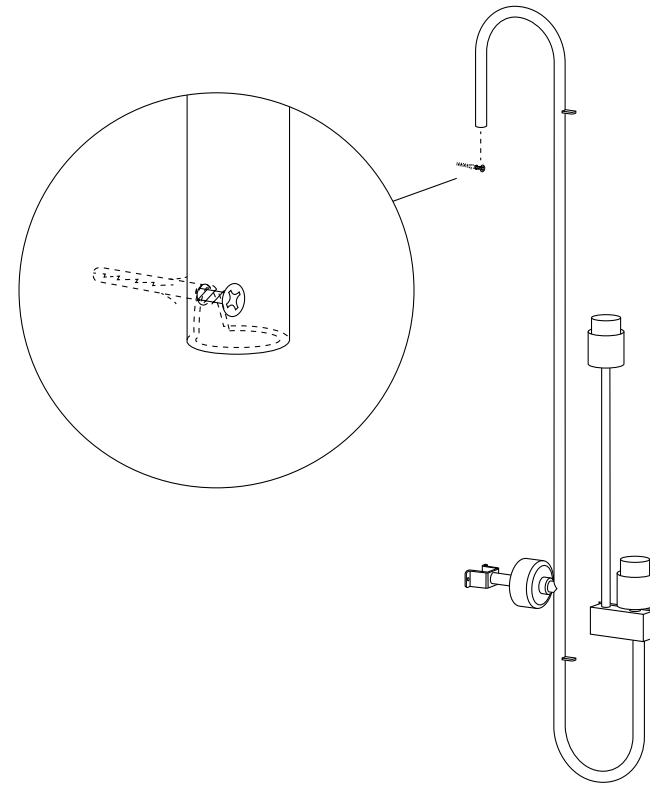
3 x  
Screws for wall



3 x  
Wallplugs

## Assembly Process

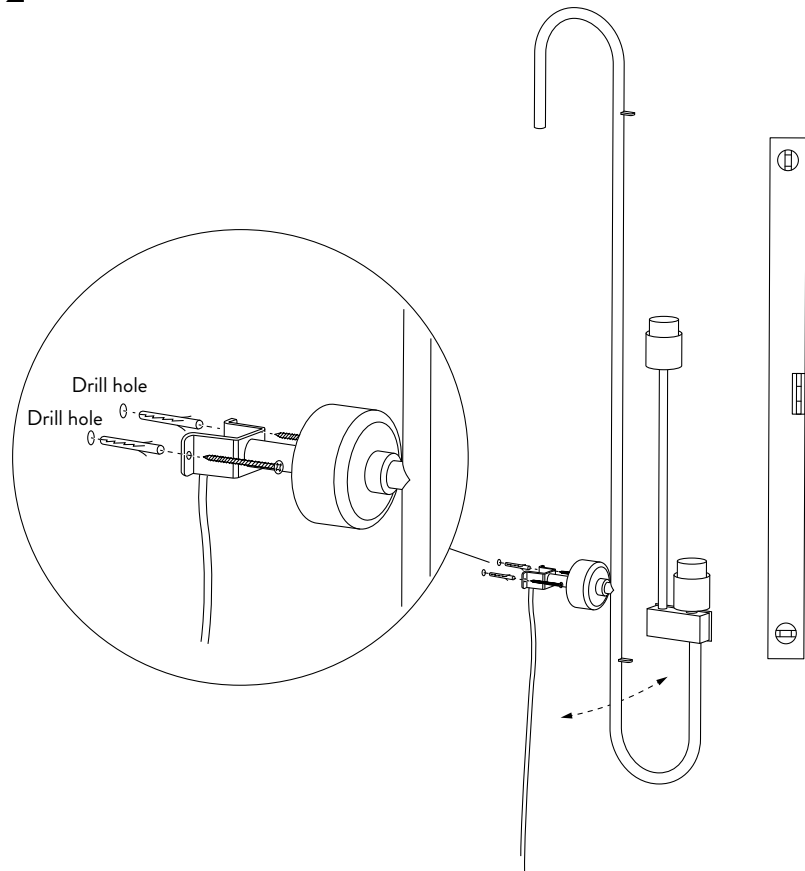
1



Drill a hole for the rawplugs and screw then hang the lamp on the screw. The screw must not be screwed in completely.

## Assembly Process

2

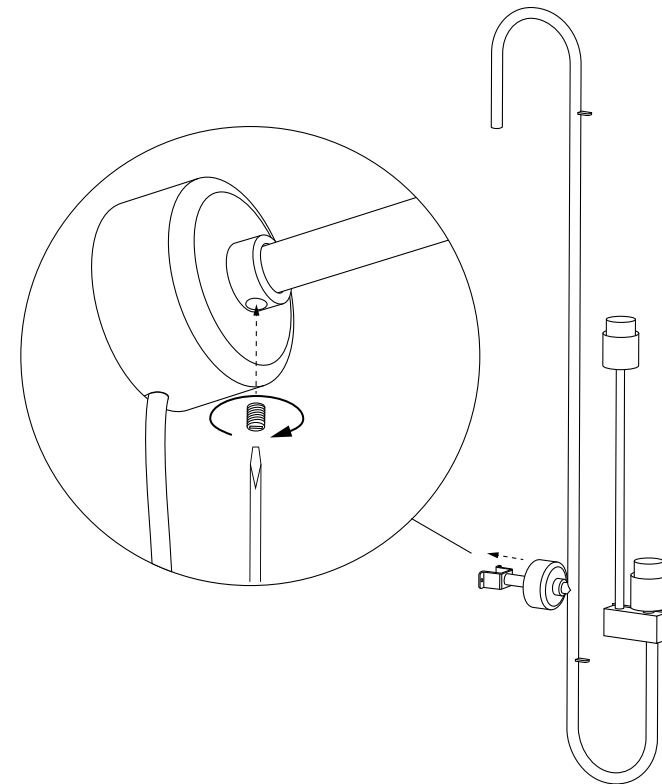


Adjust the lamp so that it is centered on the wall. (Use spirit level)  
Use the bracket to mark the two holes' positions.  
Drill the holes and insert the rawplugs and screws.

6

## Assembly Process

3

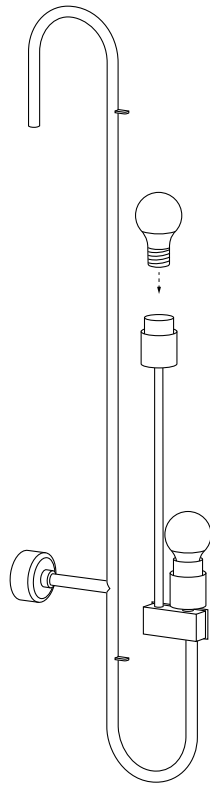


Pull the cover over the wall bracket.  
Tighten the set screw with the slotted screwdriver.

7

## Assembly Process

4



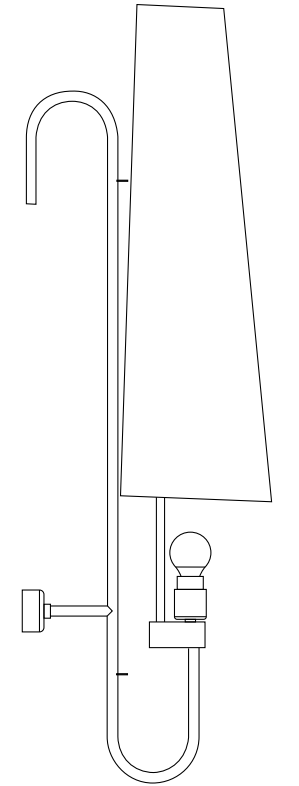
BULB NOT  
INCLUDED

Insert two light bulbs E26 in socket.

8

## Assembly Process

5

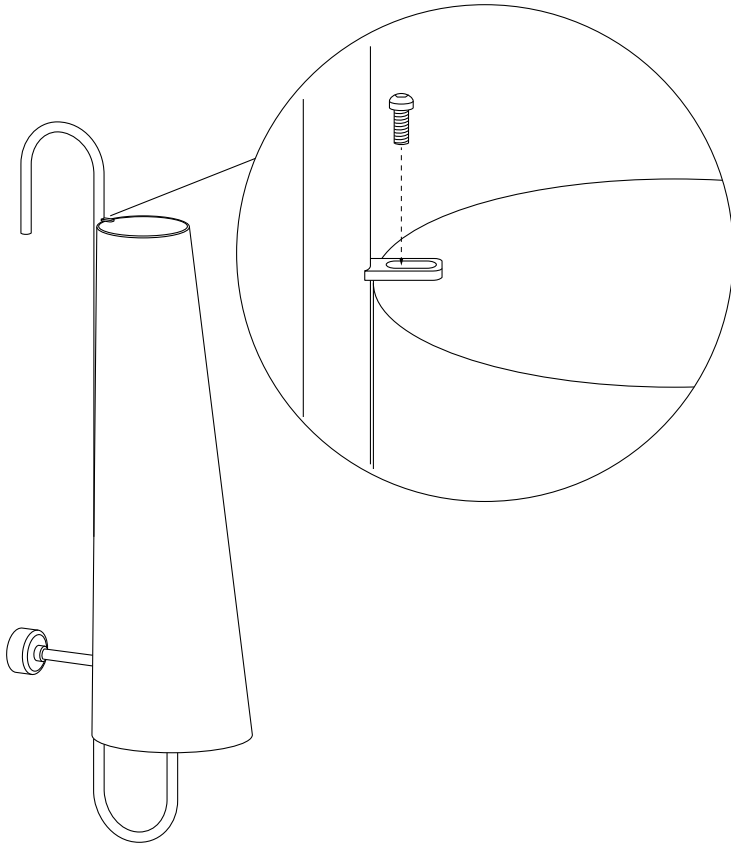


Mount the lamp shade.

9

## Assembly Process

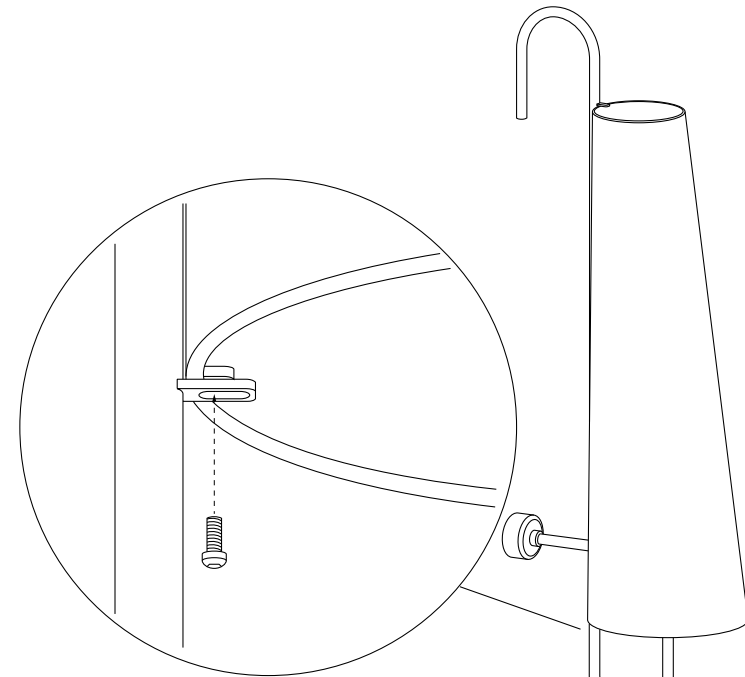
6



Insert screw at the top of the lampshade

## Assembly Process

7



Insert screw at the bottom of the lampshade

[fermliving.com](http://fermliving.com)