



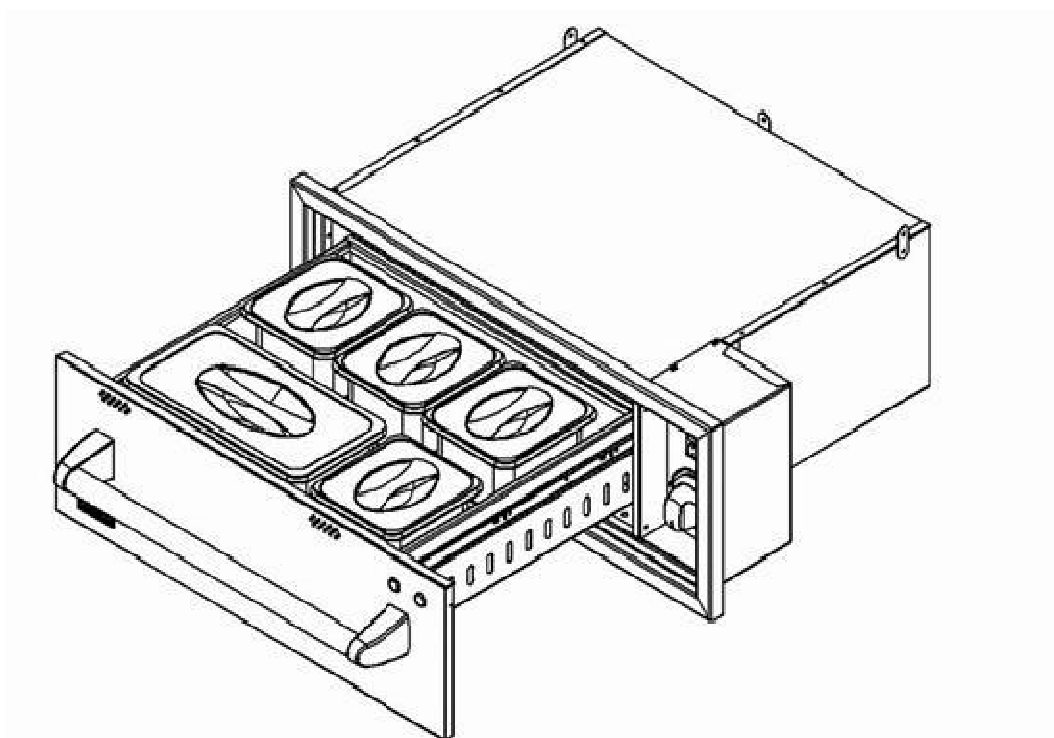
Ontario, California 91761

Instructions Manual

MODEL NO: WD256103

30" Warming Drawer, Rated 120V, 60 Hz, 450W, 4A

TABLE OF CONTENTS	P A G E
SAFETY INSTRUCTIONS	2
INSTALLATION INSTRUCTIONS	5
OPERATING INSTRUCTIONS.....	6
CLEANING & MAINTENANCE.....	7
TROUBLE SHOOTING GUIDE	7
SPECIFICATIONS & ASSEMBLY INSTRUCTION	8
CIRCUITRY OF WARMING DRAWER COMPONENTS LIST	9
WARRANTY	10



SAFETY INSTRUCTIONS

Read all instructions carefully before operating your warming drawer

Important: Observe all governing codes and ordinances.

It is the customer's responsibility: To contact a qualified electrical installer. To assure that the electrical installation is adequate and in conformance with National Electrical Code- ANSI/NFPA 70-latest edition and all local codes & ordinances.

You must have:

- A. 120-volt, 60Hz, AC-only, 15-or 20- amp fused electrical supply.
- B. outlet located in the cabinet as close as possible to the warming oven.

We recommend:

- A. a time-delay fuse or circuit breaker.
 - B. a separate circuit serving this appliance only.
- If codes permit and a separate ground wire is used, it is recommended that a qualified electrician determine that the ground path is adequate.

Copies of the standards listed may be obtained from:

*National Fire Protection
Association 1 Batterymarch Park
Quincy, MA 02169

For your personal safety, this appliance must be grounded. This is equipped with a power supply cord having 3- prong ground plug. To minimize possible shock hazard, the cord must be plugged into a mating 3-prong ground- type outlet, grounded in accordance with local codes and ordinances. See Figure 1. If a mating outlet is not available, it is the personal responsibility and obligation of the customer to have a properly grounded 3-prong outlet installed by a qualified electrician.

Warning – Improper connection of the equipment-grounding conductor can result in a risk of electric shock. Check with a qualified electrician or serviceman. If you are in doubt as to whether the appliance is properly grounded. Do not modify the plug provided with appliance

IMPORTANT INSTRUCTION

1. Read all instructions.
2. Do not touch hot surfaces. Use handles or knobs.
3. To protect against electrical shock do not immerse heater elements in water or other liquid.
4. Close supervision is necessary when any appliance is used by or near children.
5. Unplug from outlet when not in use and before cleaning. Allow to cool before putting on or taking off parts.
6. Do not operate any appliance with damaged parts or after the appliance malfunctions or has been damaged in any manner. Return appliance to the nearest authorized service facility for examination, repair, or adjustment.
7. The use of accessory attachments not recommended by the appliance manufacturer may cause injuries.
8. Do not use appliance for other than the intended use.
9. Save these instructions.
10. To reduce the risk of fire, do not place any heating or cooking appliance beneath the appliance.
11. To reduce the risk of fire, do not mount unit over or near any portion of a heating or cooking appliance.
12. To reduce the risk of electric shock, do not mount over a sink.
13. To reduce the risk of fire, do not store anything directly on top of the appliance surface when the appliance is in operation.
14. Be sure that the warming drawer is properly grounded and installed by a qualified technician. The electrical cord has a 3 prong plug. Do not cut any of the prongs
15. Make sure that the island is free of cracks that would allow water or other liquids to get into the electrical controls.
16. Keep the warming drawer away from water sprinklers.
17. When not in use, cover the island to protect from rain and harsh weather conditions.

IMPORTANT SAFETY INSTRUCTIONS

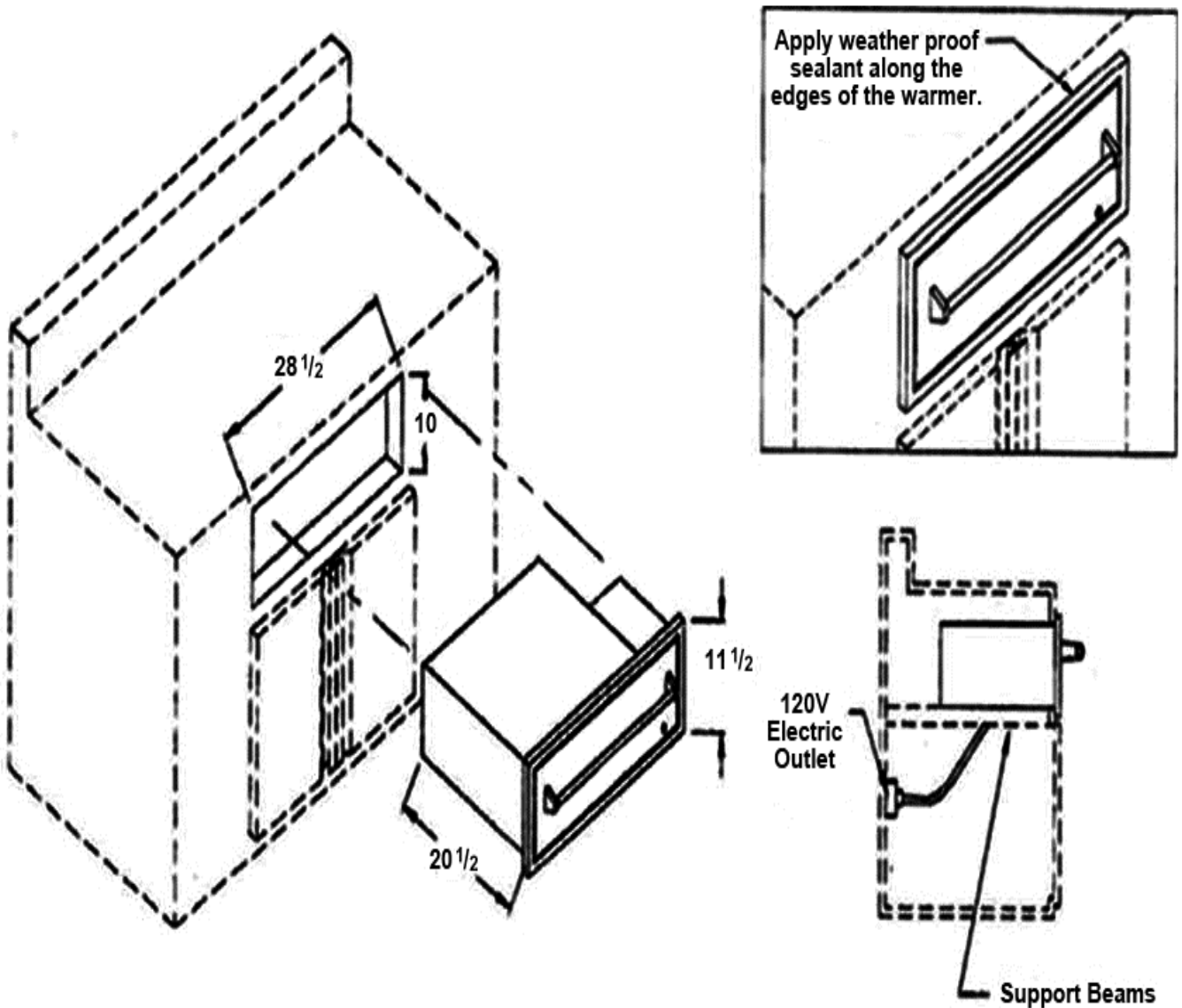
WARNING: To reduce the risk of fire, electrical shock, injury to persons, or damage when using the warming drawer, follow basic precautions, including the following:

- **Proper Installation** – Be sure the warming drawer is properly installed and grounded by a qualified technician.
- **Do Not Leave Children Alone** – Children should not be left alone or unattended in area where warming drawer is in use. They should never be allowed to sit or stand on any part of the warming drawer.
- **Wear Proper Apparel** – Loose-fitting or hanging garments should never be worn while using the warming drawer.
- **User Servicing** – Do not repair or replace any part of the warming drawer unless specifically recommended in the manual. All other servicing should be referred to a qualified technician.
- **Storage in Warming Drawer** – Flammable materials should not be stored in a warming drawer.
- **Do Not Use Water on Grease Fires** – Smother fire or flame or use dry chemical or foam-type extinguisher.
- **Use Care When Opening Door** – Let hot air or steam escape before removing or replacing food.
- **Use Only Dry Potholders** – Moist or damp potholders on hot surfaces may result in burns from steam. Do not let potholder touch hot heating elements. Do not use a towel or other bulky cloth.
- **Do Not Heat Unopened Food Containers** – Build-up of pressure may cause container to burst and result in injury.
- **Placement of Warming Drawer Racks** – Always place warming drawer racks in desired location while warming drawer is cool. If rack must be moved while warming drawer is hot, do not let potholder contact hot heating element in warming drawer.
- **DO NOT TOUCH HEATING ELEMENTS OR INTERIOR SURFACES OF WARMING DRAWER** - Heating elements may be hot even though they are dark in color. Interior surfaces of a warming drawer become hot enough to cause burns. During and after use, do not touch, or let clothing or other flammable materials contact heating elements or interior surfaces of warming drawer until they have had sufficient time to cool. Other surfaces of the warming drawer may become hot enough to cause burns – among these surfaces are warming drawer vent openings and surfaces near these openings and warming drawer doors.

SAVE THESE INSTRUCTIONS

INSTALLATION INSTRUCTIONS

1. Provide a 10" x 28 1/2" cutout to the front of the island
2. Provide support beams using metal studs.
3. Pull the drawer out of the drawer casing to gain access on the mounting holder at the front of the casing.
4. Insert the drawer casing into the island opening.
5. Secure the drawer casing with screws at the inside front top and bottom, using the pre-punched mounting holes.
6. Re-assemble the drawer section into the drawer casing.
7. Apply weather proof sealant along the edges of the warmer.
8. Plug-in the warmer to a weather proof, and properly grounded, electrical outlet.
9. BBQ island must be made of non combustible materials, check local building codes.



OPERATING INSTRUCTIONS

Temperature Controls

Use knob to control the temperature, open the right drawer. Firstly, turn on the switch to "I". When "Power" lights up, the knob is point to "OFF" at 6 o'clock direction.

Then switch the knob by clockwise, the "WARMING" will light on. At 9 o'clock direction is heating slowly; at 12 o'clock direction is 150°F, and at 3 o'clock direction the temperature can reach to 250°F. Switch the knob to "OFF" after using, then turn off the switch to "O".

The warming drawer should only be opened when adding or removing food. Continuous opening of the drawer allows warm air to escape and make the food colder.

Do not use aluminum foil to line the drawer. It is an excellent eat insulator and will trap heat beneath it. This may affect the performance of the warming drawer and the interior finish.

Moisture Vent Control

Moisture Exhaust control is at the top of drawer panel, those two areas with small holes. The switch croontis at the inter nal groove of drawer panel, for vent control, when you pull the switch control to the middle, it's "ON". When you pull the switch control outward, it's "OFF"

Heating Instructions

- a. The main function of the warming drawer is to hold hot cooked foods at serving temperature.
- b. Place previously prepared foods directly into the empty Food Pans (no water) and set the moisture vent control.
- c. For crispy foods, slide the moisture vent control inward to open the vents and allow the moisture to escape.
- d. Set the temperature control dial. Heat-on light will appear until the desired temperature is reached.
- e. For moist food, slide the moisture vent control outward to close the vents and seal the moisture inside the drawer.

Proofing Yeast Dough

- a. Yeast dough can be proofed in a warming drawer.
- b. Place the dough in a bowl and turn the temperature control at the lowest setting, to facilitate the fermentation process.
- c. Place a towel over the dough to minimize surface drying.
- d. Let the dough remain in the warming drawer until it has doubled in size and a slight depression remains when the surface is touched gently with a finger.

CLEANING & MAINTENANCE

The Warming Drawer is made of welded #304 stainless steel. It is non-rusting and non-magnetic.

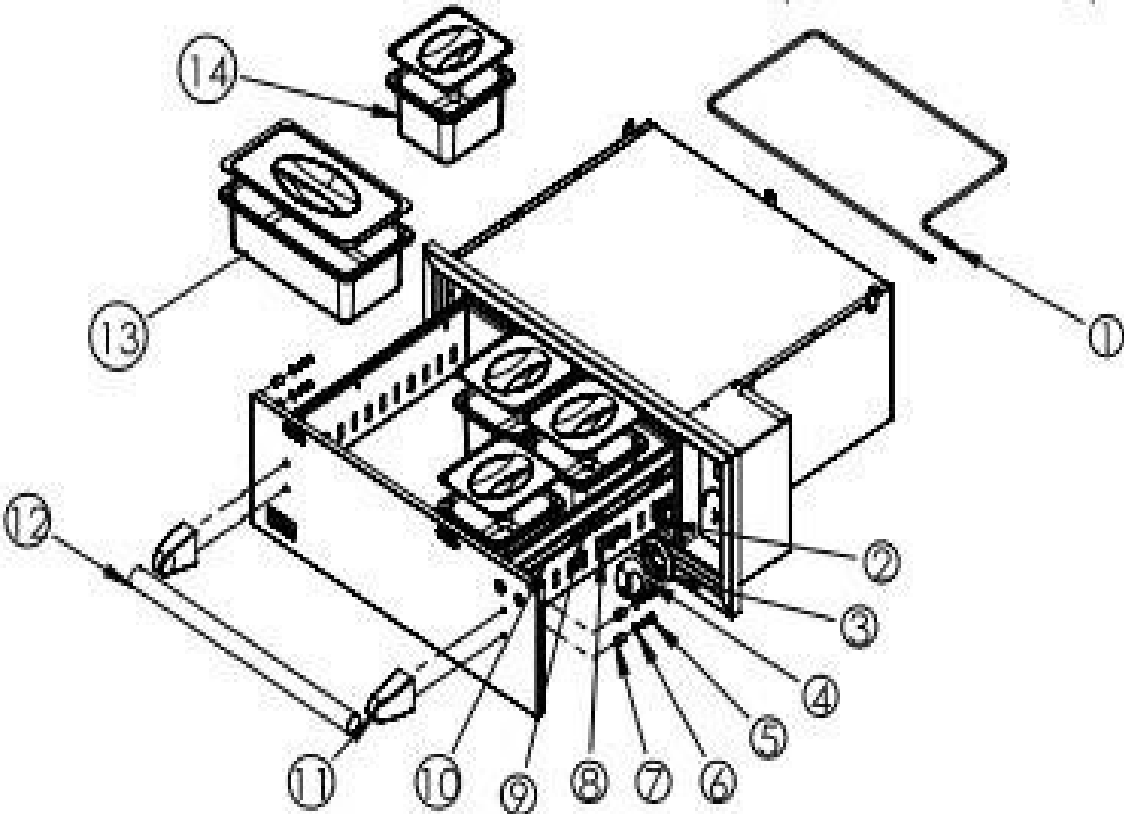
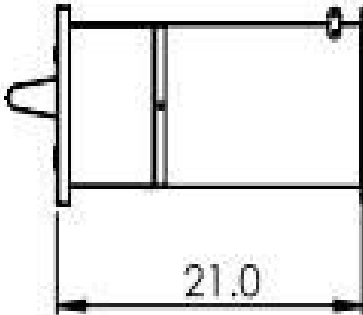
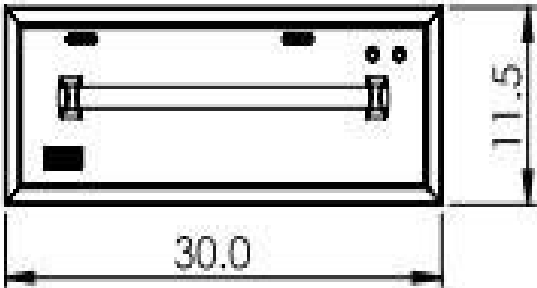
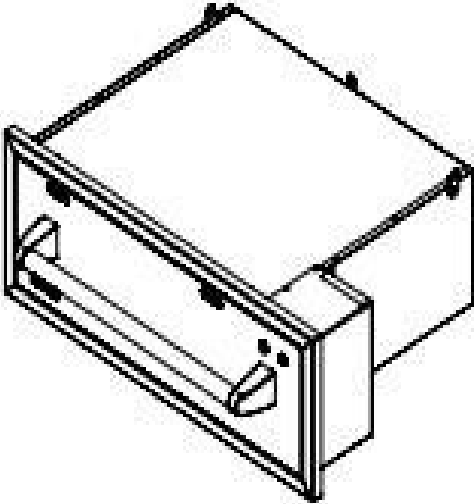
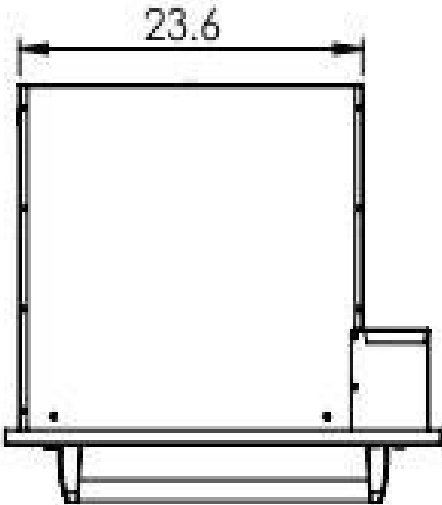
1. Allow the warming drawer and its accessories to cool before cleaning.
2. Remove steam pans and all accessories from warming drawer.
3. Clean all items including the drawer with the mildest cleanser. Scrub dirt with sponge.
4. When cleaning the front panel, always scrub in the direction of the grain. In order to maintain the luster and highlights of polished surface, do not use abrasives when cleaning polished surfaces. Use the mildest cleaner.
5. Do not use steel wool to clean the drawer and accessories.
6. Check out the slide rails and make sure they are clean and free from debris.
7. It is highly recommended to clean the warming drawer after every use.

Trouble Shooting Guide

Problem	What To Do
<ol style="list-style-type: none"> 1. Warming drawer will not heat up. 2. Heat-on light does not come "on". 	<ol style="list-style-type: none"> 1. Call your dealer, or authorized service agency. 2. Check if the temperature control dial is set properly. 3. Check if the circuit breaker is open.
<p>If service is required:</p>	<ol style="list-style-type: none"> 1. Call your dealer, or authorized service agency. 2. Provide the following information: <ol style="list-style-type: none"> a. Model number b. Serial number c. Date purchased d. Name of dealer where the unit was purchased from

SPECIFICATIONS & ASSEMBLY INSTRUCTION

ITEM# STAINLESS STEEL WARMING DRAWER

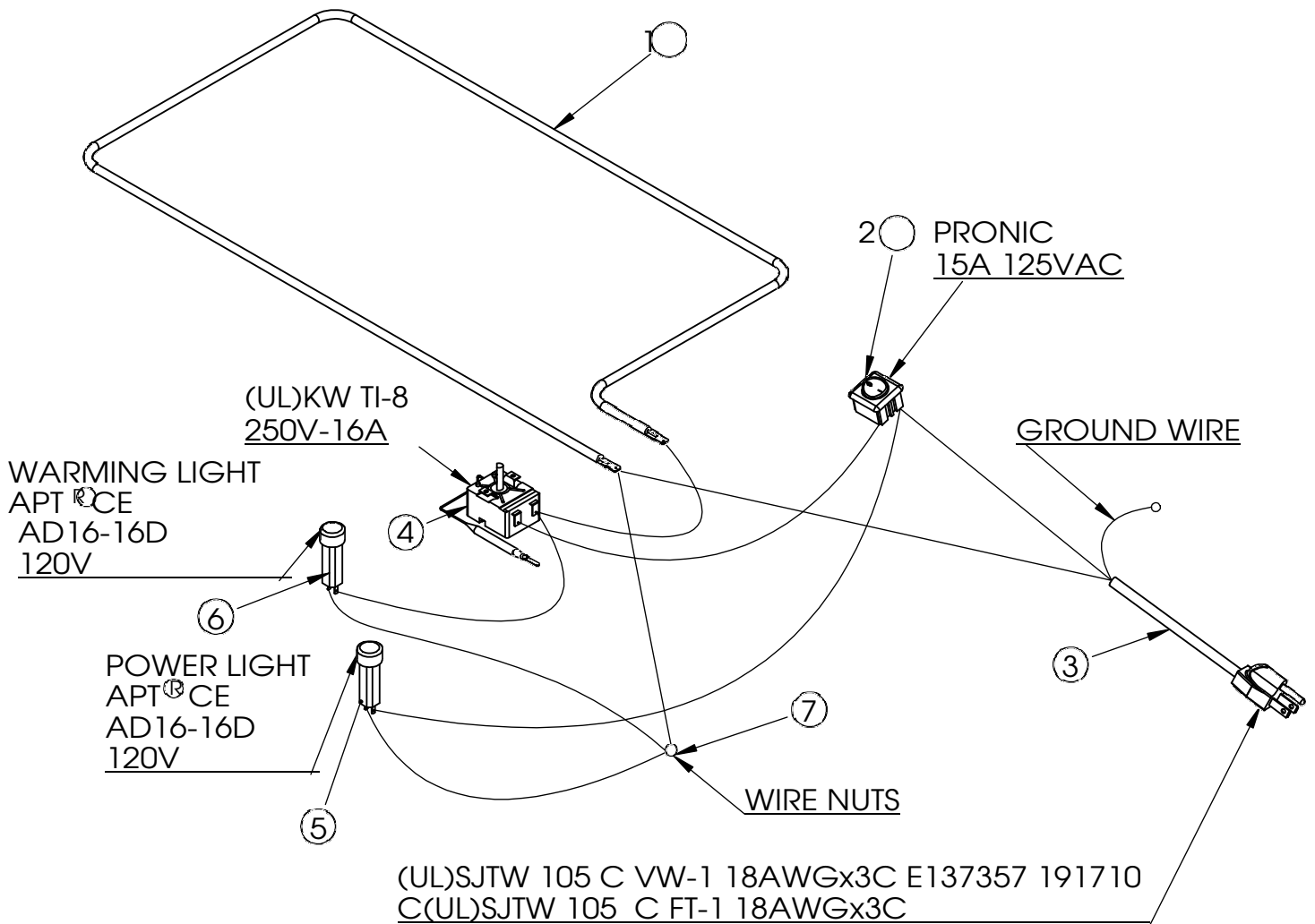


SPECIFICATIONS & ASSEMBLY INSTRUCTION

ITEM# STAINLESS STEEL WARMING DRAWER

N	Part list	Qty
1	Heating Element	1
2	Switch	1
3	Chrome Bezel	1
4	Control Knob	1
5	Bolt	4
6	Washer	4
7	Sleeve	4
8	Power Light	1
9	Heat on Light	1
10	Roller Guides	2
11	Handle Bracket	2
12	Drawer Handle	1
13	Food pan (L)	1
14	Food pans (S)	4

CIRCUITRY OF WARMING DRAWER COMPONENTS LIST



NO	Part list	Q'ty
1	Heating Element	1
2	Switch	1
3	Plug	1
4	Knob of Temperature	1
5	Power Light	1
6	Heat on Light	1
7	Wire nuts	1



Lion Exterior Products, Inc.

Ontario, California 91761

LIMITED WARRANTY

Lion Exterior Products, Inc. warrants to the original purchaser at the original site of delivery with proof of purchase of warming drawer that when subject to normal residential use, it is free from defects in workmanship and materials for the periods specified below. It does not apply to rust, corrosion, oxidation or discoloration, which may occur due to moisture or overheating, unless the affected component becomes inoperable. It does not cover labor or labor related charges. There will be shipping and handling charge for the delivery of the warranty part(s).

<u>Component</u>	<u>Warranty Period</u>
Warming drawer	1 Year
Parts	Repair only, no labor

Our obligation under this warranty is limited to repair or replacement, at our option, of the product during the warranty period. The extent of any liability of Lion Exterior Products, Inc., under this warranty is limited to repair or replacement. This warranty does not cover normal wear of parts, damage resulting from any of the following: negligent use or misuse of the product, use on improper fuel/gas supply, use contrary to operating instructions, or alteration by any person other than our factory service center. The warranty period is not extended by such repair or replacement.

For customer service, contact the authorized selling dealer immediately. If you need additional information or assistance, please contact the Lion Exterior Products Inc. 541 East Main St., Ontario CA 91761 or visit lionbbq.com

Product repair as provided under this warranty is your exclusive remedy. Lion Exterior Products, Inc. shall not be liable for any incidental or consequential damages for breach of any express or implied warranty on its products. Except to the extent prohibited by applicable law, any implied warranty or merchantability or fitness for a particular purpose on this product to the duration of the above warranty. Some states do not allow the exclusion or limitation of incidental or consequential damages, or allow limitations on how long an implied warranty lasts, so the above limitations or exclusions may not apply to you. This warranty gives you specific legal rights, and you may have other rights, which vary from state to state. Lion Exterior Products Inc. shall not be liable for loss of use of the warming drawer, related hardware or other incidental or consequential costs, expense or damages, which may include, but are not limited to, removal of permanent deck or other custom fixtures or the necessity for crane removal. Any implied warranty shall have duration equal of the applicable warranty stated above.

Drawer Model _____ Drawer Serial Number _____

Date of Purchased _____ Purchased From _____