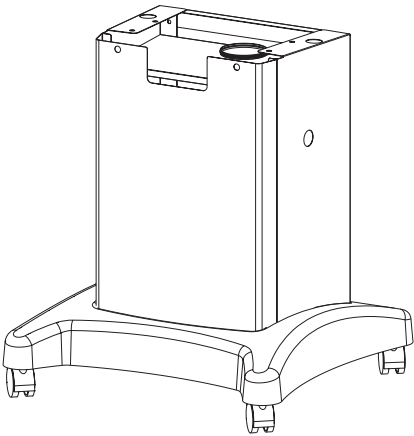
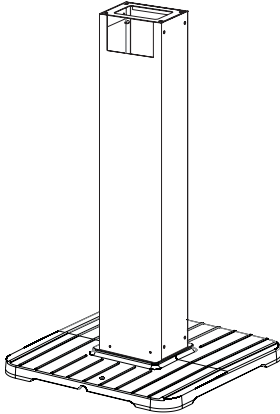


# BROILMASTER® PREMIUM GAS GRILLS

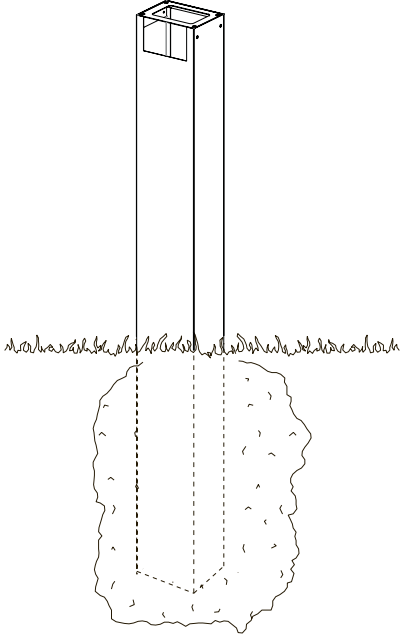
## INSTALLATION INSTRUCTIONS



**MODELS**  
PCB1-2  
DCB1-2



**MODELS**  
BL26P-1  
SS26P-1



**MODELS**  
BL48G-1  
SS48G-1

**VERIFY THAT ALL PARTS LISTED ON THE EXPLODED VIEW OF THIS MANUAL HAVE BEEN INCLUDED IN THIS CARTON BEFORE BEGINNING INSTALLATION.**

**⚠ CAUTION: USE CAUTION WHEN HANDLING PARTS, AS THEY MAY CONTAIN SHARP EDGES. WORK GLOVES ARE RECOMMENDED TO PREVENT INJURY.**

**KEEP THIS OWNER'S MANUAL FOR FUTURE REFERENCE.**

**EMPIRE COMFORT SYSTEMS, INC • 918 FREEBURG AVE. • BELLEVILLE, IL 62220**

# TABLE OF CONTENTS

## CONGRATULATIONS!

You have chosen the finest grill for your outdoor cooking pleasure. Please take time to read this entire manual before assembling your Broilmaster® Grill accessory.

Important Information .....	4
PCB1-2, DCB1-2 Installation Instructions .....	5-9
Cart Exploded View & Parts List .....	6
Cart Assembly .....	7 - 9
BL26P-1, SS26-1 Patio Base Installation Instructions .....	10 - 13
Patio Base Exploded View & Parts List .....	11
Patio Base Installation .....	12 - 13
BL48G-1, SS48G-1 In-Ground Post Installation Instructions .....	14 - 17
In-Ground Post Exploded View & Parts List .....	15
In-Ground Post Assembly .....	16 - 17
Appliance Service History .....	18
Template for Mounting Holes .....	19

# THIS GAS ACCESSORY IS DESIGNED FOR OUTDOOR USE ONLY

## **IMPORTANT:**

This manual should be read thoroughly by the person installing the grill mounting and all persons who will use and maintain the grill mounting. The installer should be sure the manual is left in the possession of the user. The user should retain this manual for future reference when using or cleaning the grill mounting and to properly identify any repair parts that may be required.

## **⚠ WARNING:**

Reference this manual for proper installation and maintenance instructions. Improper installation, adjustment, alteration, service or maintenance can cause personal injury or property damage. For assistance or additional information consult a qualified installer, service agency or the gas supplier.

## **⚠ CAUTION:**

The grill and its individual shutoff valve must be disconnected from the gas supply piping system during any pressure testing of that system at test pressures in excess of 1/2 PSIG.

## **⚠ CAUTION:**

The grill must be isolated from the gas supply piping system by closing its individual manual shutoff valve during any pressure testing of the gas supply piping system at test pressures equal to or less than 1/2 PSIG.

## **⚠ CAUTION:**

Parts may have sharp edges. Wear leather work gloves and handle parts carefully during the unpacking, assembly and the installation.

## **⚠ WARNING:**

Do not supply LP gas to a grill designed for natural gas nor natural gas to a grill designed for LP gas.

## **NOTICE:**

Assemble grill mount before assembling grill.

# IMPORTANT INFORMATION

## Grill Location

Broilmaster® Gas Grills are designed for outdoor use ONLY.

These mounting accessories are designed for use with Broilmaster® gas grills and must not be used with any other grill or for any other purpose.

Never install or operate your grill in any building, garage, or other enclosed area.

For your safety, the grill should not be installed or operated under any combustible materials, such as carports, covered porches, awnings, or overhangs.

Never install or use your grill in or on any recreational vehicle or boat.

**▲ CAUTION:** THE INSTALLATION AND OPERATION OF THIS GRILL AT CLEARANCES LESS THAN SPECIFIED BELOW MAY LEAD TO THE POSSIBILITY OF FIRE, PROPERTY DAMAGE, OR PERSONAL INJURY.

A minimum clearance of eighteen (18") inches is required from the back of the grill to any combustible material.

Examples of combustible materials are patio furniture, fences, or the wall of your home.

The area surrounding the grill should be clear to ensure proper ventilation. Do not obstruct the flow of combustion and ventilation air in any way. The ventilation openings on the propane cylinder enclosure must also remain free and clear of debris.

**▲ WARNING:** DO NOT INSTALL OR OPERATE A GAS GRILL WHERE GASOLINE OR OTHER FLAMMABLE MATERIALS ARE USED OR STORED. FAILURE TO COMPLY WITH THIS WARNING COULD RESULT IN EXPLOSION OR FIRE CAUSING PROPERTY DAMAGE OR PERSONAL INJURY.

## Gas Types

Never use liquid propane gas with a grill designed for natural gas, or natural gas with a grill designed for liquid propane gas. The type of gas required for your grill is defined on its product identification label. Questions regarding different types of gases should be directed to your gas supplier.

## Cleaning

The exterior of your cart or post may be cleaned with hot water and mild detergent as needed.

Touch-up paint is available through your Broilmaster® dealer.

Stainless steel surfaces may be cleaned with a spray-on stainless steel cleaner available at most hardware stores.

Important: Do not use harsh or abrasive cleaners! Your cart or post has a highly polished surface and may be easily scratched.

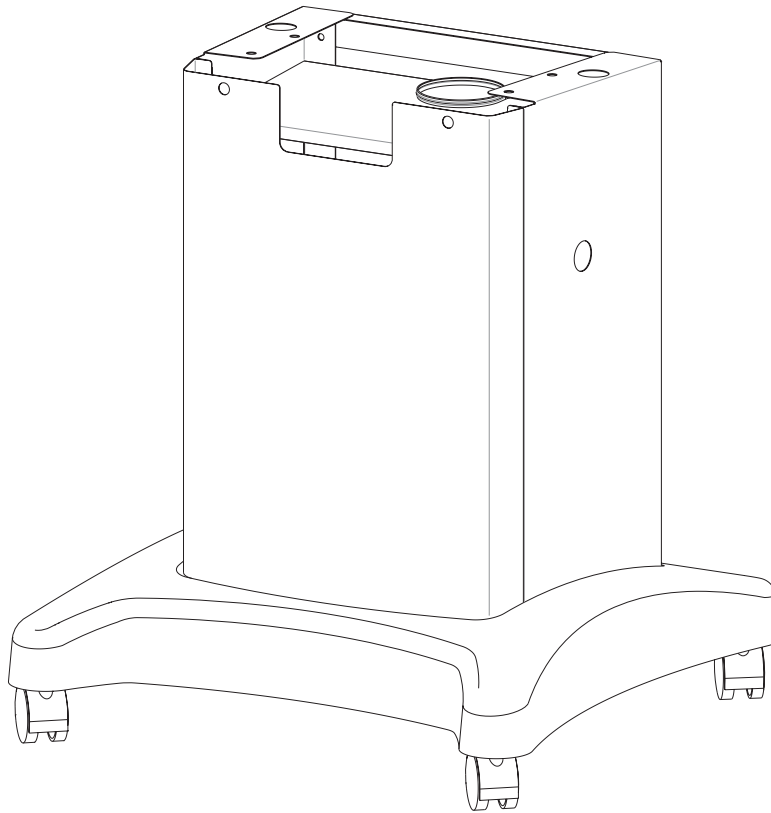
## Periodic Inspection and Maintenance

Periodic inspections and maintenance are essential. All Broilmaster® Gas Grill products or mechanical devices eventually begin to wear due to environment, contaminants, corrosion or aging. Inspect all components at least twice per year and replace any that show wear.

If any parts are damaged or missing, you may order parts from your local Broilmaster® dealer. Please refer to the Parts Diagram and Parts List section of this manual for more detailed information.

# PCB1-2, DCB1-2

## INSTALLATION INSTRUCTIONS



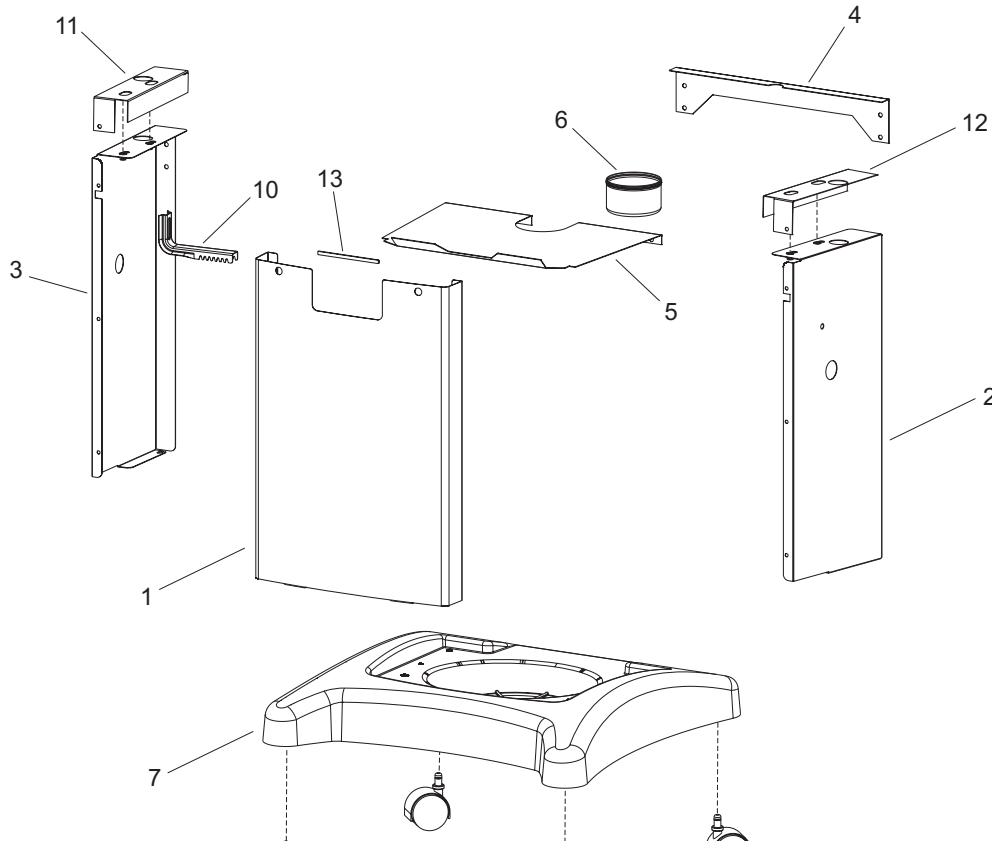
**VERIFY THAT ALL PARTS LISTED ON THE EXPLODED VIEW OF THIS MANUAL HAVE BEEN INCLUDED IN THIS CARTON BEFORE BEGINNING INSTALLATION.**

**⚠ CAUTION: USE CAUTION WHEN HANDLING PARTS, AS THEY MAY CONTAIN SHARP EDGES. WORK GLOVES ARE RECOMMENDED TO PREVENT INJURY.**

**REMOVE PROTECTIVE COATING AND VERIFY THAT ALL PARTS LISTED ON THE EXPLODED VIEW OF THIS MANUAL HAVE BEEN INCLUDED BEFORE BEGINNING ASSEMBLY.**

**TOOLS REQUIRED: PHILLIPS SCREW DRIVER (AN ELECTRIC SCREW DRIVER OR DRILL IS RECOMMENDED TO EASE INSTALLATION.)**

# CART EXPLODED VIEW & PARTS LIST



Remove protective coating from stainless steel parts starting at pop rivets and verify that all parts listed in the exploded view on this page have been included before beginning this installation.

**⚠ Caution:** Use caution when handling parts, as they may contain sharp edges. Work gloves are recommended to prevent injury.

INDEX NO.	PART NO.			DESCRIPTION
	PCB1	DCB1	H3PK1	
1	B101585	B101584	B101465	Front Panel
2	B101466	B101463	B101560	Left Side Panel Assembly
3	B101467	B101464	B101561	Right Side Panel Assembly
4	B101583	B101582	B101582	Rear Brace
5	B101633	B101633	B101633	Cart shield stainless steel
6	B101473	B101473	B101473	Grease Cup
7	B101414	B101414	B101415	Plastic Base
8	B101416	B101416	B101416	Caster with Brake
9	B101417	B101417	B101417	Caster without Brake
10	B064791	B064791	B064791	Cylinder Retainer
11	B101565	B101565	B101495	Base Support Bracket - Right
12	B101495	B101495	B101565	Base Support Bracket - Left
13	B101635	B101635	B101635	Channel, Edge Protector

All repair part orders should be placed through your local Broilmaster® dealer. To locate a dealer in your area, visit [www.broilmaster.com](http://www.broilmaster.com). To ensure prompt and accurate service, please provide the following information when placing a repair part order: Model Number, Part Name, Part Number, and Quantity of parts needed.

# CART ASSEMBLY

**⚠ Caution:** Be careful when handling parts, as they may contain sharp edges. Work gloves are recommended to prevent injury. Remove protective plastic covering.

1. **For Stationary Cart Assembly:** Use the template on page 23 to locate and pre-drill the three screw holes into wood or concrete for the cart base. If applicable, drill the 1 1/2" gas line access hole. **DO NOT** secure base with the screws at this time. **For Mobile Cart Assembly:** Flip plastic base and insert casters by inserting the pin provided with the casters in the proper hole. It is recommended that the two casters with brakes should be in the front of the base. See Figure 1.

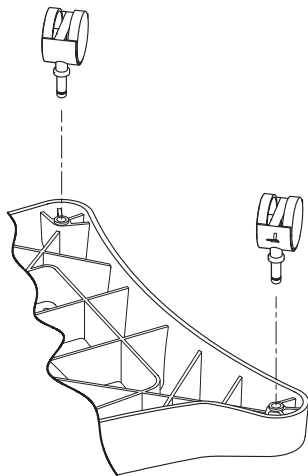


Figure 1

2. Place the base support brackets on the side panels. Slide the short flanges on the brackets between the top and side flanges of the side panels. See Figure 2.

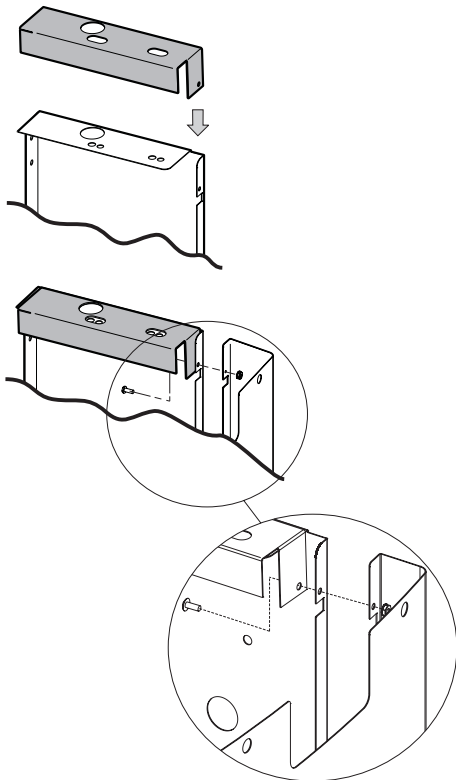


Figure 2

3. Align the holes on the front and side panel assemblies and secure with six #10-24 x 1/2" Phillips screws and 10-24 Keps Nuts provided (3 on each side). Do not tighten these screws until all are installed. Use black screws for black carts and stainless steel screws for stainless steel carts. See Figures 2 and 3.

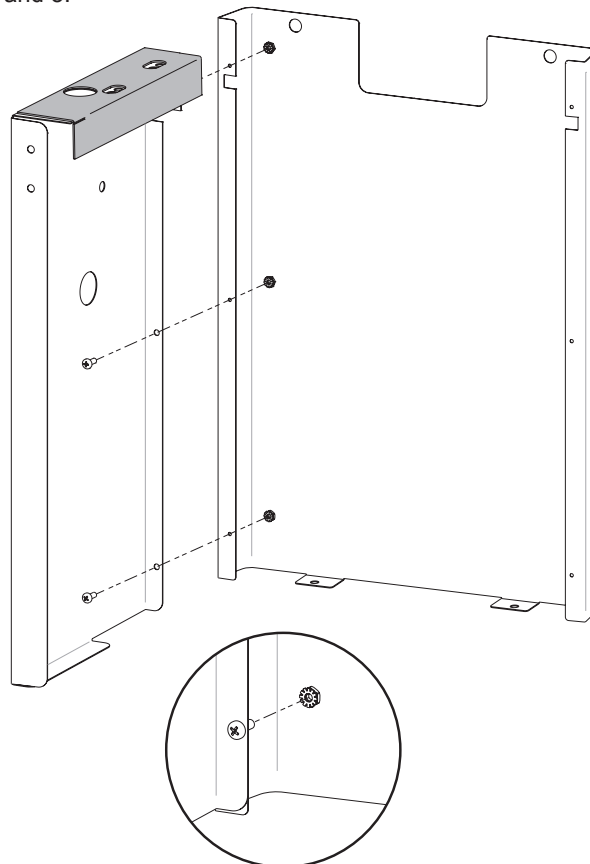


Figure 3

4. Secure the completed assembly to the base with four 1/4-20 x 3/4" Phillips Truss screws. See Figure 4. Note: Plastic base comes with factory installed threaded inserts. Install all four screws before tightening.

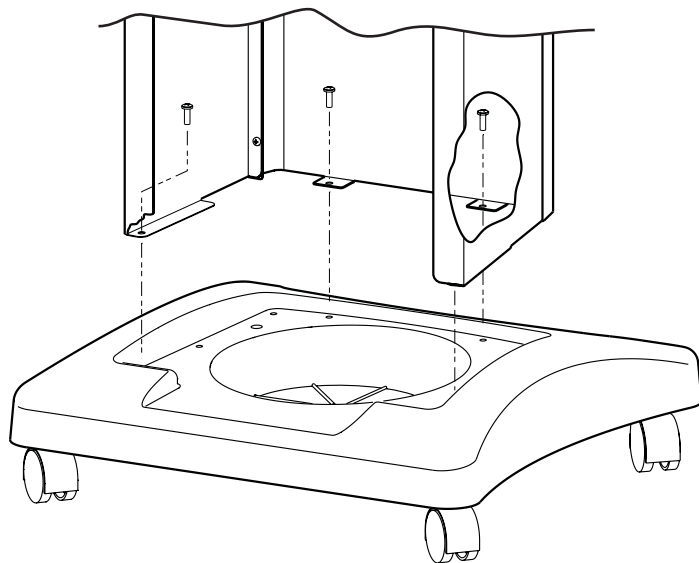


Figure 4

# CART ASSEMBLY

5. Attach Rear Brace to the Left and Right Side Assemblies with two 1/4-20 x 3/4" Phillips Truss Head screws and 1/4-20 Hex nuts. See Figure 5. Important: Make sure the brace goes in the cutout of the support bracket.

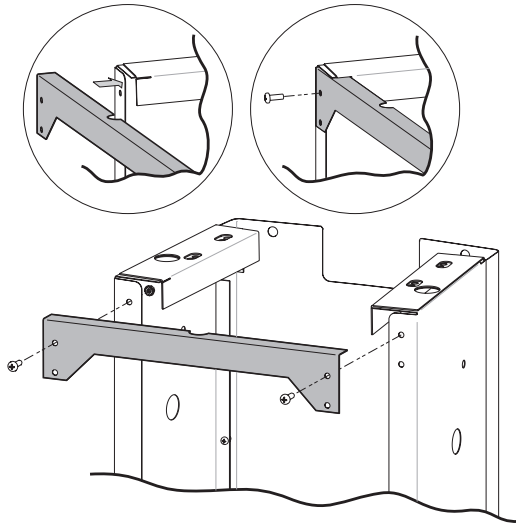


Figure 5

6. Insert bushing in the front panel on the right for P and H series and on the left for R and T series grills. See Figure 6.

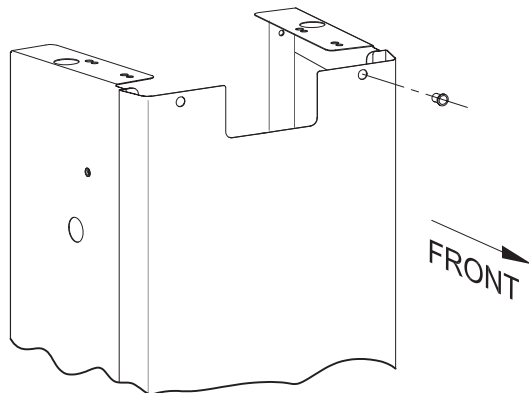


Figure 6

**Note:** Bushing is used to protect the ignitor wires from rubbing on the front panel when they are in place.

**Note:** Ignitor wires must go through the bushing before grill head is fully installed.

7. Secure the grill head to the cart using four 1/4-20 x 3/4" Hex Head Bolts and 1/4 x 5/8 Flat Washers. See Figure 7. **Note:** To ease assembly, you may wish to install the ignitor as shown in your Broilmaster® grill manual before attaching the grill to the cart.

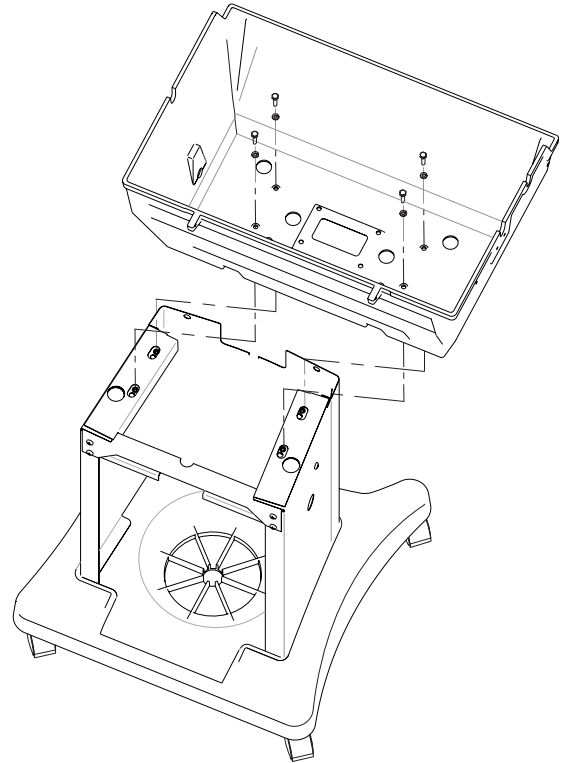


Figure 7

8. Attach the Heat Shield to the Left and Right side assemblies with two 1/4-20 x 3/4 Phillips Truss Head screws and 1/4-20 Hex nuts. Make sure shield is resting on the cutout provided in the side panels before tightening the screws and nuts. See Figures 8 and 9. Note: Grill head removed for clarity.

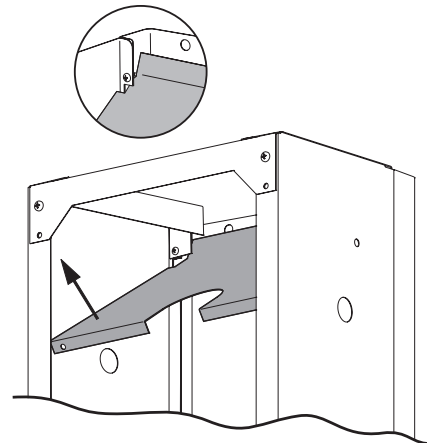


Figure 8

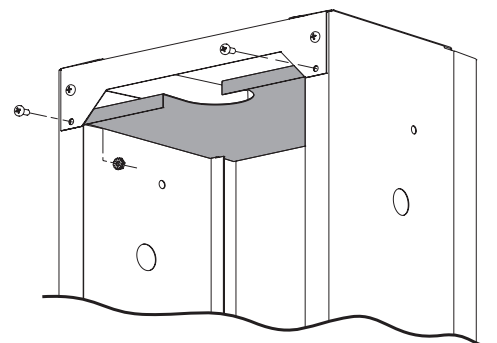


Figure 9



# CART ASSEMBLY

9. For Grill Heads other than R3 Series, continue on to Step 10.

**For R3 Series Grill Heads:** Press in the two sides of the Control Housing (provided with Grill Head) and fit it into the opening under the grill head as shown in Figure 10. Grill Assembly will look like Figure 11.

**Note:** It may be easier to insert one side of the control housing first, and then press in the other side using the cart as a brace for the inserted side.

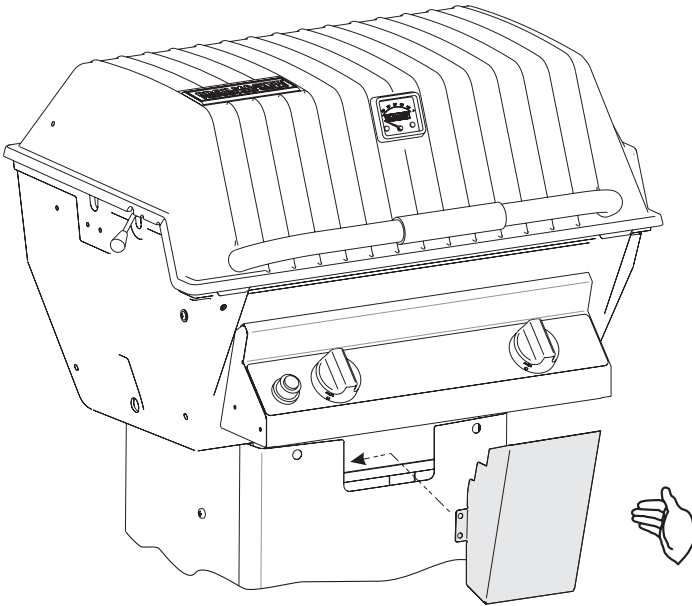


Figure 10

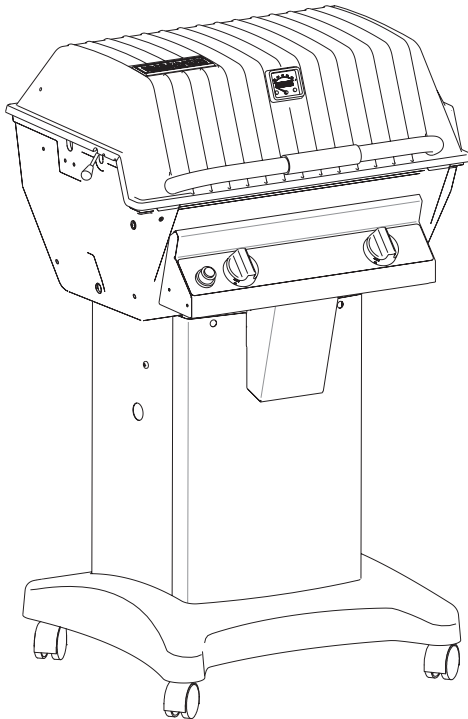


Figure 11

10. Mount the tank retainer to the cart by using 1/4-20 x 1 1/4 Phillips Truss Head screw and 1/4-20 wing nut.

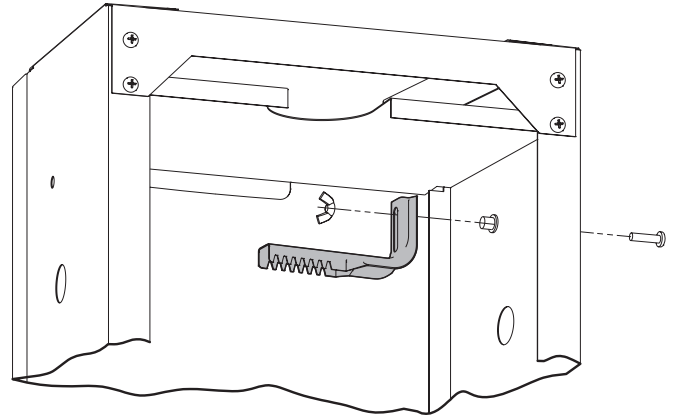


Figure 12

10. Install Grease Cup by sliding it in the cutout provided in the shield.

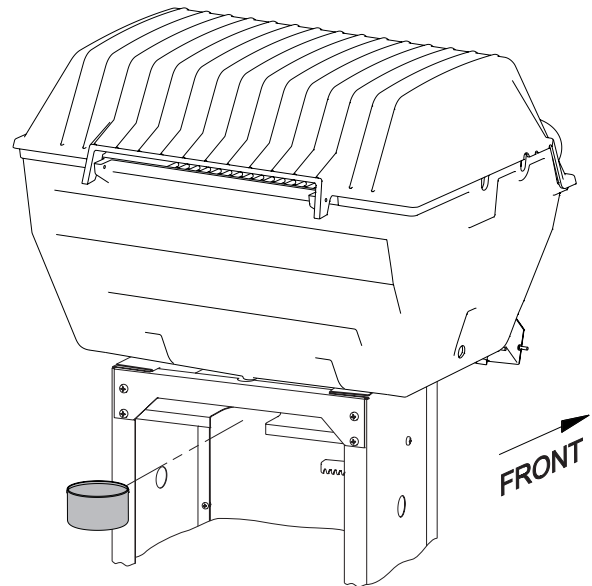
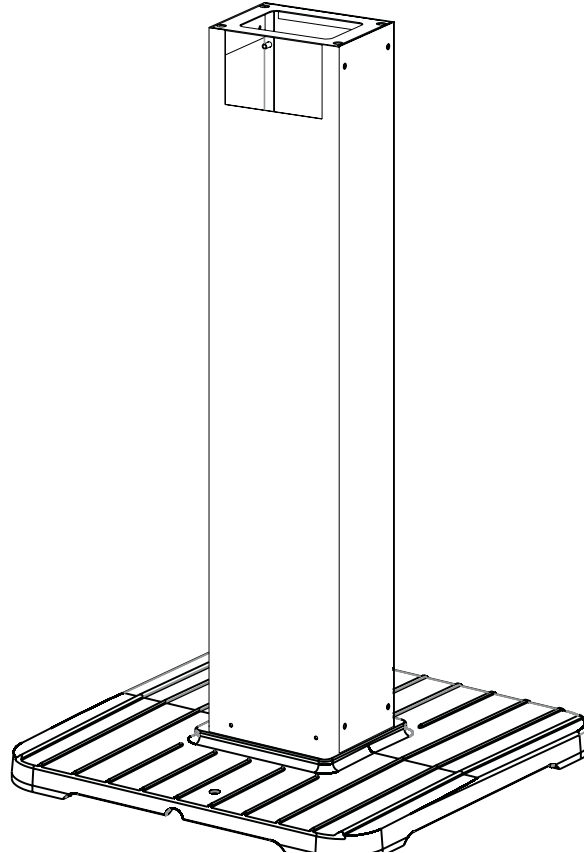


Figure 13

11. For Stationary Cart Assembly: Slide grill assembly into position over holes drilled in Step 1. Secure with three screws (not supplied). If applicable, route the gas line through the hole and attach to the grill.

# BL26P-1, SS26-1 PATIO BASE INSTALLATION INSTRUCTIONS



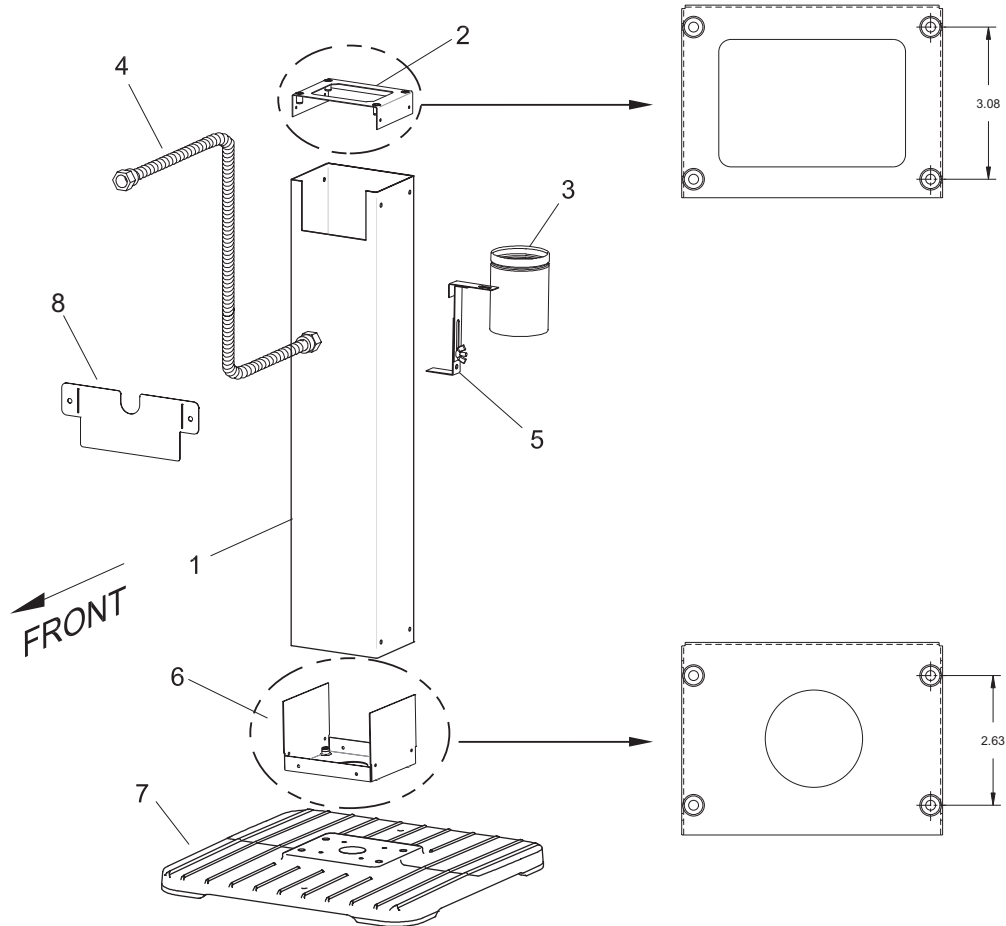
**▲ WARNING:** THIS PATIO BASE IS NOT DESIGNED FOR USE WITH AN **LP** GAS CYLINDER.

**▲ WARNING:** SEE YOUR GRILL OWNER'S MANUAL FOR PROPER LOCATION, MINIMUM CLEARANCES, AND OTHER IMPORTANT SAFETY INFORMATION BEFORE PROCEEDING WITH INSTALLATION OF THIS PATIO POST.

**V**ERIFY THAT ALL PARTS LISTED ON THE EXPLODED VIEW OF THIS MANUAL HAVE BEEN INCLUDED IN THIS **C**ARTON BEFORE BEGINNING INSTALLATION.

**▲ CAUTION:** USE CAUTION WHEN HANDLING PARTS, AS THEY MAY CONTAIN SHARP EDGES. **W**ORK GLOVES ARE RECOMMENDED TO PREVENT INJURY.

# PATIO POST EXPLODED VIEW & PARTS LIST



Remove protective coating from stainless steel parts starting at pop rivets and verify that all parts listed in the exploded view on this page have been included before beginning this installation.

**⚠ Caution:** Use caution when handling parts, as they may contain sharp edges.

Work gloves are recommended to prevent injury.

INDEX NO.	PART NO.		DESCRIPTION
	SS26P	BL26P	
1	B101411	B101408	Post
2	B101454	B101454	Upper Bracket Assembly
3	B100526	B100526	Grease Cup
4	B076519	B076519	Flex Line
5a	B743095	B743095	Grease Retainer Top Assembly
5b	B743098	B743098	Grease Retainer Bottom Assembly
6	B101579	B101579	Lower Bracket Assembly
7	B074604	B074604	Cast Base
8*	B101596	B101596	Post Cover Plate - Black
8*	B101597	B101597	Post Cover Plate - Stainless Steel
Not Shown	B101569	R2737	#10 x 1/2 Hex Head Screw

\* Post Cover Plate is used only when installing R3 Series grill head onto post.

All repair part orders should be placed through your local Broilmaster dealer. To locate a dealer in your area, contact Broilmaster Customer Service • [www.broilmaster.com](http://www.broilmaster.com) To ensure prompt and accurate service, please provide the following information when placing a repair part order: Model Number, Part Name, Part Number, and Quantity of parts needed.

# PATIO BASE INSTALLATION

**NOTICE: Assemble post before assembling grill.**

The SS26P and BL26P Patio Bases are only for use with Broilmaster Gas Grills. Before proceeding with installation read your Owner's Manual for the proper location and minimum clearances to combustible materials for your grill and in-ground post.

Verify that all parts listed in the exploded view of this product have been included before beginning this installation.

Recommended Tools:

- Drill/Driver
- Two adjustable wrenches or a socket set
- A medium Phillips screwdriver
- Pipe thread sealer or Teflon tape (for gas connections)
- Soapy water solution (to test for leaks)

1. Attach lower bracket assembly to post with eight #10-1/2" screws. See Figure 1.

NOTE: The large rectangular cut out is located at the front of the post near the top.

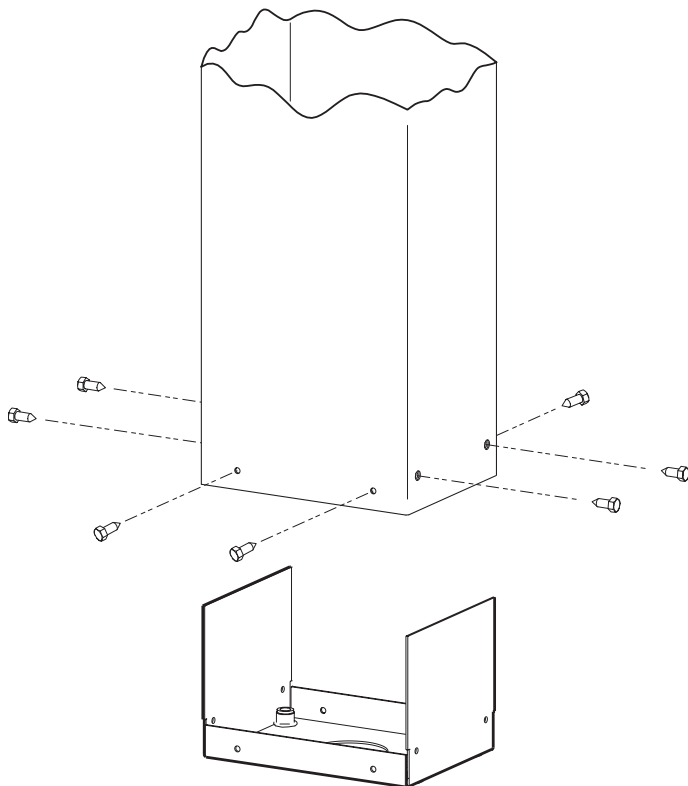


Figure 1

2. Fasten the bottom of the post to the cast base using 1/4 lock washers, and 1/4-20 hex bolts. See Figure 2. Anchor the cast iron patio base to your patio using the two holes provided in the base. (Hardware not included)  
Note: Make sure that the large rectangular cut out is facing in the direction that you want your grill to face.

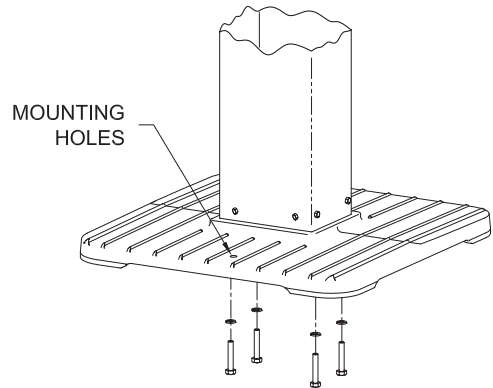


Figure 2

3. Insert the stainless steel flex tube assembly into the post. The inlet side of the gas tubing may protrude from the bottom of the patio base or through the large circular hole in the back of the square post. See Figure 3. Note: Do not attempt to cut or alter the flex tube in any way.

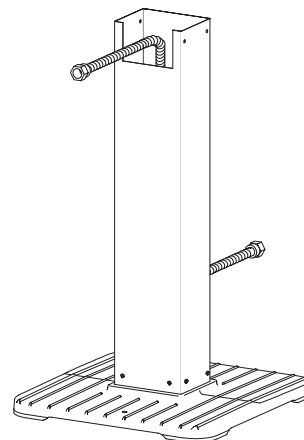


Figure 3

4. For Grill Heads other than R3 Series, continue on to Step 5.

**For R3 Series Grill Heads:** Bend the tabs on the Post Cover Plate to 90° as shown in Figure 4.

**Note:** If using the stainless steel Post Cover Plate, bend the tabs so they face away from the protective film. Remove the protective film after bending the tabs.

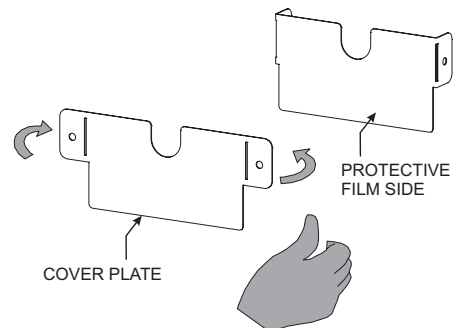


Figure 4

# PATIO BASE INSTALLATION

5. **For R3 Series Grill Heads:** Slide the Post Cover Plate onto the front of the post. Slide the Upper Bracket onto the post. Secure the Post Cover Plate and Upper Bracket to the top of the square post using four #10 – ½ screws. See Figure 5.

**For Grill Heads other than R3 Series:** Slide the Upper Bracket into the post. Secure the Upper bracket to the top of the square post using four #10 – ½ screws. See Figure 5.

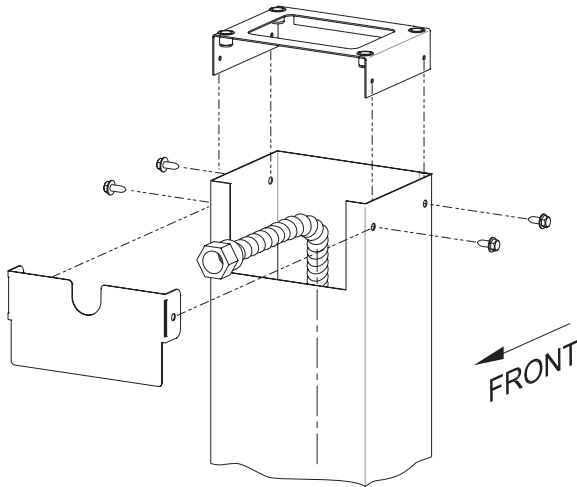


Figure 5

6. Position the grill head onto the post and fasten with ¼-20 x ¾ Hex Head and lock washers. See Figure 6.

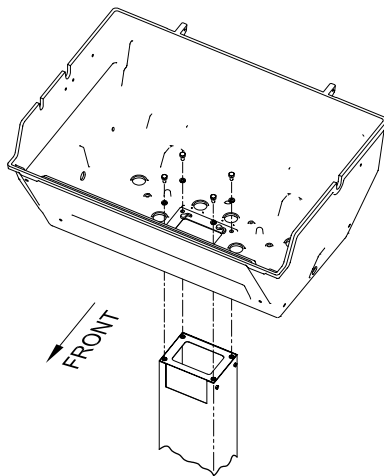


Figure 6

7. Arrange with your local gas company or licensed contractor to have a gas supply line connected to the inlet of the stainless steel flex tube assembly. The gas supply must have a shutoff valve that is close to the post in case of emergency and must be shutoff when the grill is not in use.

Test for gas leaks as directed by the grill's Owners Manual. The grill and its individual shutoff valves must be disconnected from the gas supply piping system during any pressure testing of that system at test pressures in excess of 1/2 PSIG. The grill must be isolated from the gas supply piping system by closing its individual manual shutoff valves during any pressure testing of the gas supply piping system at test pressures equal to or less than 1/2 PSIG.

**⚠ WARNING: DO NOT SUPPLY LP GAS TO A GRILL DESIGNED FOR NATURAL GAS OR NATURAL GAS TO A GRILL DESIGNED FOR LP GAS.**

Gas leak tests should be completed as directed in the grill owner's manual.

8. Attach the grease cup bracket assembly to the bottom of the grill casting and fasten with #10-24 x 3/4" bolt, 9/32 ID x 5/8 OD washer, and #10-24 wing nut. Note: Grill head comes assembled with the bottom casting. To ease assembly remove grill top.

Loosen the wing nut and move the slide up or down to accept the grease cup. Be sure to trap the rim of the cup as shown on page 10. Use only the supplied grease cup or noncombustible containers for the grease cup (aluminum or tin cans).

DO NOT use combustible containers such as Styrofoam or paper cups.

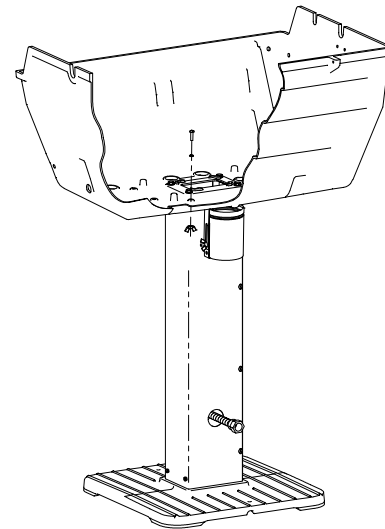
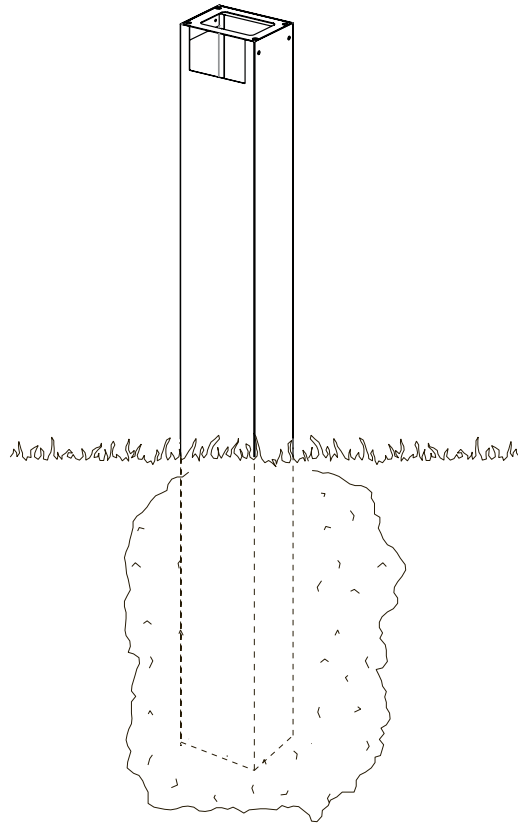


Figure 7

9. Continue assembly as directed by the Owner's Manual packaged with the grill head.

# BL48G-1, SS48G-1 In-Ground Post INSTALLATION INSTRUCTIONS



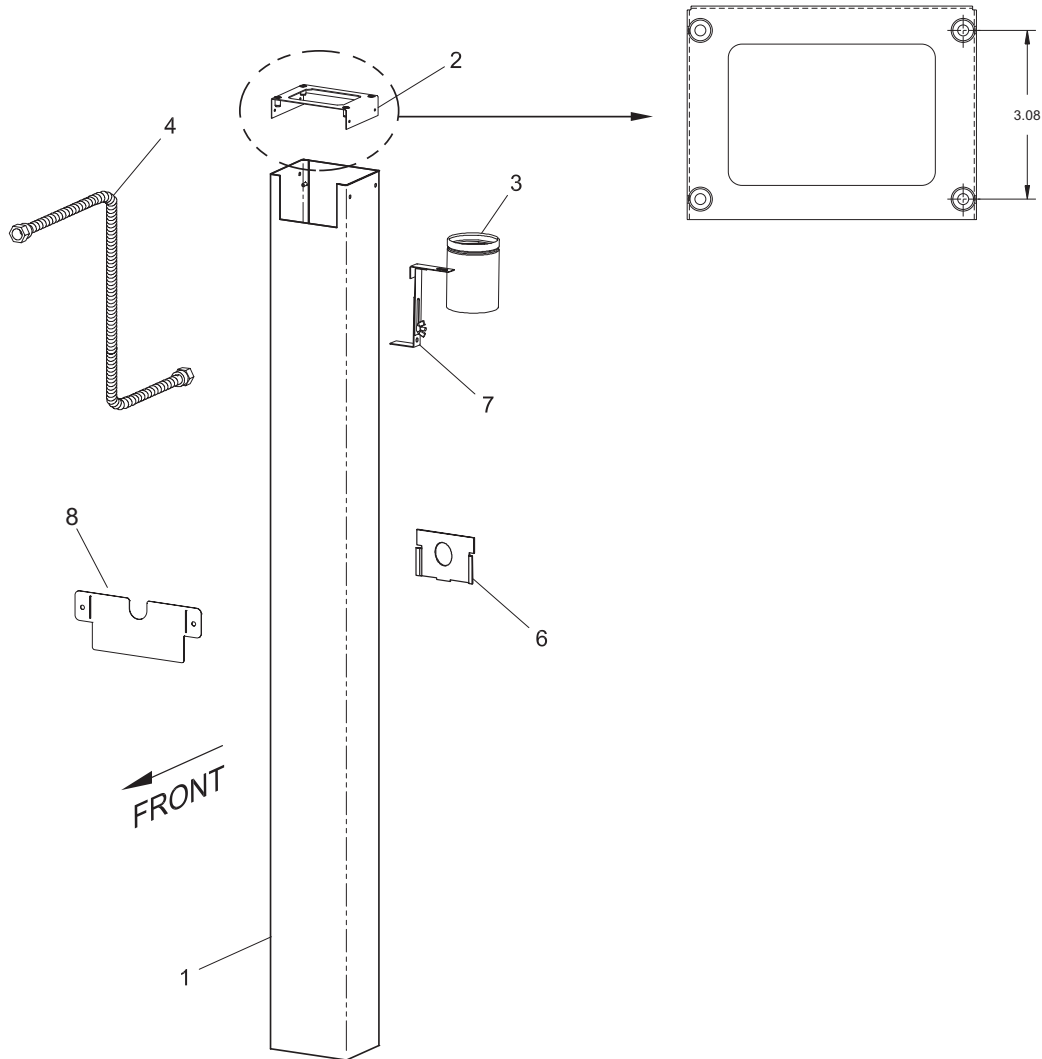
**▲ WARNING:** THIS IN-GROUND POST IS NOT DESIGNED FOR USE WITH AN **LP** GAS CYLINDER.

**▲ WARNING:** SEE YOUR GRILL OWNER'S MANUAL FOR PROPER LOCATION, MINIMUM CLEARANCES, AND OTHER IMPORTANT SAFETY INFORMATION BEFORE PROCEEDING WITH INSTALLATION OF THIS IN-GROUND POST.

**VERIFY** THAT ALL PARTS LISTED ON THE EXPLODED VIEW OF THIS MANUAL HAVE BEEN INCLUDED IN THIS CARTON BEFORE BEGINNING INSTALLATION.

**▲ CAUTION:** USE CAUTION WHEN HANDLING PARTS, AS THEY MAY CONTAIN SHARP EDGES. **WORK GLOVES** ARE RECOMMENDED TO PREVENT INJURY.

# IN-GROUND POST EXPLODED VIEW & PARTS LIST



REMOVE PROTECTIVE COATING FROM STAINLESS STEEL PARTS STARTING AT POP RIVETS AND VERIFY THAT ALL PARTS LISTED IN THE EXPLODED VIEW ON THIS PAGE HAVE BEEN INCLUDED BEFORE BEGINNING THIS INSTALLATION.

**⚠ CAUTION:** USE CAUTION WHEN HANDLING PARTS, AS THEY MAY CONTAIN SHARP EDGES.  
WORK GLOVES ARE RECOMMENDED TO PREVENT INJURY.

INDEX NO.	PART NUMBER		DESCRIPTION
	SS48G	BL48G	
1	B101413	B101409	Post
2	B101454	B101454	Upper Bracket Assembly
3	B100526	B100526	Grease Cup
4	B076519	B076519	Flex Line
5	B101569	R2737	#10 x 1/2 Hex Head Screw
6	B101490	B101546	Post Access Door
7	B100545	B100545	Grease Cup Bracket Assembly
8*	B101596	B101596	Post Cover Plate - Black
8*	B101597	B101597	Post Cover Plate - Stainless Steel

\* Post Cover Plate is used only when installing R3 Series grill head onto post.

All repair part orders should be placed through your local Broilmaster dealer. To locate a dealer in your area, visit [www.broilmaster.com](http://www.broilmaster.com). To ensure prompt and accurate service, please provide the following information when placing a repair part order: Model Number, Part Name, Part Number, and Quantity of parts needed.

# IN-GROUND POST ASSEMBLY

**NOTICE:** Assemble patio base before assembling grill.

TheSS48G and BL48G In-Ground Posts are only for use with Broilmaster Gas Grills. Before proceeding with installation read your Owner's Manual for the proper location and minimum clearances to combustible materials for your grill and in-ground post.

Verify that all parts listed in the exploded view of this product have been included before beginning this installation.

## Recommended Tools:

- Drill/Driver
- Two adjustable wrenches or a socket set
- A medium Phillips screwdriver
- Pipe thread sealer or Teflon tape (for gas connections)
- Soapy water solution (to test for leaks)

1. Dig a posthole approximately 12" in diameter and 24" in depth at the desired grill location.

**Note:** "Normal Installation" height is achieved when the top of the 48" post is 25 1/4" above ground. This height provides a cooking surface height of approximately 34 1/2" above ground when grids are placed in the high level.

The gas supply line should be trenched at least 10 inches below the surface of the ground to prevent damage from digging. **CAUTION:** The gas supply line must be regulated (In the case of Natural gas that means connected after your gas meter and regulator) and that you have an easily accessible shut-off valve.

At the access door connect a 3/8" flare coupling (not supplied by Empire) to the gas supply line and stainless steel tubing. Position the tubing in the top notch of the post. Bend the flex tube at the top end to match the Feed Line of the grill valve. **See Figure 1.**

**Note:** Use pipe thread sealant or Teflon tape at the threads of each connection being careful to not allow any of these materials into the flare seat. Test for gas leaks as directed by the grill's Owners Manual

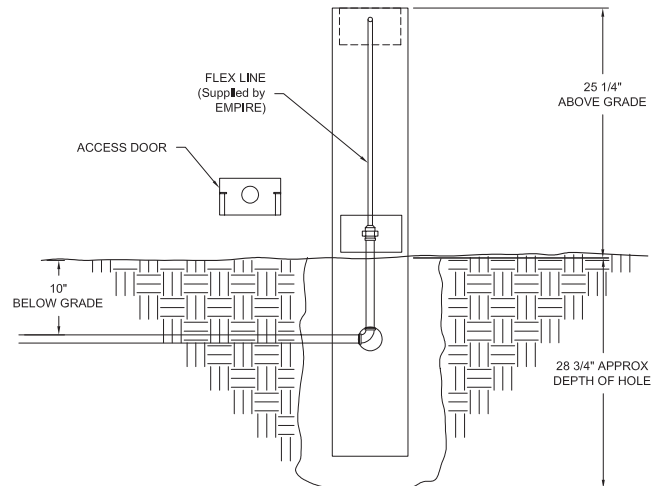
**Note:** Do not attempt to cut or alter the stainless steel flex tube assembly in any way.

**Note:** For R Series Grills, a Cover Plate will be supplied, so the Flex Line will have to go through the hole on the cover plate before mounting the Grill bottom.

Carefully lower the in-ground post into the hole using the following guidelines:

- The rectangular cut-out is located near the TOP of the post and should be above ground after installation. See Figure 1.
- The rectangular cut-out must face in the SAME direction as the front of the grill.
- Hole depth and post measurements should be checked to ensure desired height.

**Note:** Make any adjustments at this time.



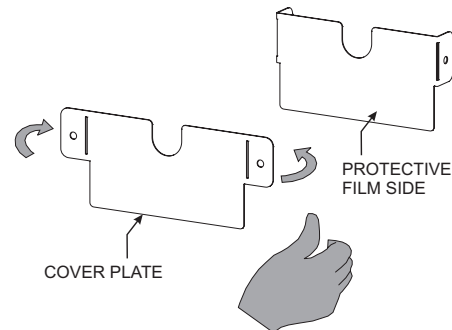
**Figure 1**

Prepare concrete or a standard pre-mix according to the manufacturer's package directions. Position the 48" post in the center of the hole. A level should be used when aligning the post to achieve precise vertical alignment. Hold the post in place while pouring the concrete mixture into the hole around the post.

2. **For Grill Heads other than R3 Series, continue on to Step 3.**

**For R3 Series Grill Heads:** Bend the tabs on the Post Cover Plate to 90° as shown in Figure 2.

**Note:** If using the stainless steel Post Cover Plate, bend the tabs so they face away from the protective film. Remove the protective film after bending the tabs.



**Figure 2**



# IN-GROUND POST ASSEMBLY

3. **For R3 Series Grill Heads:** Slide the Post Cover Plate onto the front of the post. Slide the Upper Bracket into the post. Secure the Post Cover Plate and Upper Bracket to the top of the square post using four #10 – ½ screws. See Figure 3.

**For Grill Heads other than R3 Series:** Slide the Upper Bracket into the post. Secure the Upper bracket to the top of the square post using four #10 – ½ screws. See Figure 3.

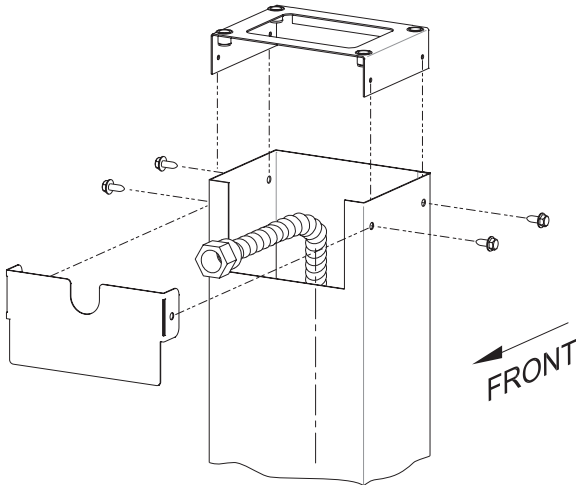


Figure 3

4. Place the grill bottom on top of the post and secure the grill bottom to the post by placing four ¼-20 x ¾ Hexhead screw in the threaded inserts that are in the upper bracket. See Figure 3.

Note: Grill top comes assembled with to the bottom. For ease of assembly, remove grill top.

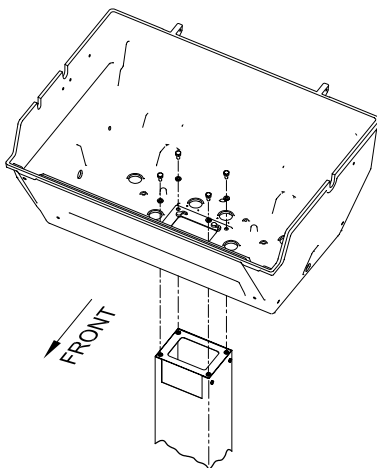


Figure 4

5. Arrange with your local gas company or licensed contractor to have a gas supply line connected to the inlet of the stainless steel flex tube assembly. The gas supply must have a shutoff valve that is close to the post in case of emergency and must be shutoff when the grill is not in use. See Figure 5

The grill and its individual shutoff valves must be disconnected from the gas supply piping system during any pressure testing of that system at test pressures in excess of 1/2 PSIG. The grill must be isolated from the gas supply piping system by closing its individual manual shutoff valves during any pressure testing of the gas supply piping system at test pressures equal to or less than 1/2 PSIG.

**⚠ WARNING: DO NOT SUPPLY LP GAS TO A GRILL DESIGNED FOR NATURAL GAS OR NATURAL GAS TO A GRILL DESIGNED FOR LP GAS.**

Gas leak tests should be completed as directed in the grill Owner's Manual.

Completely fill remaining hole with soil.

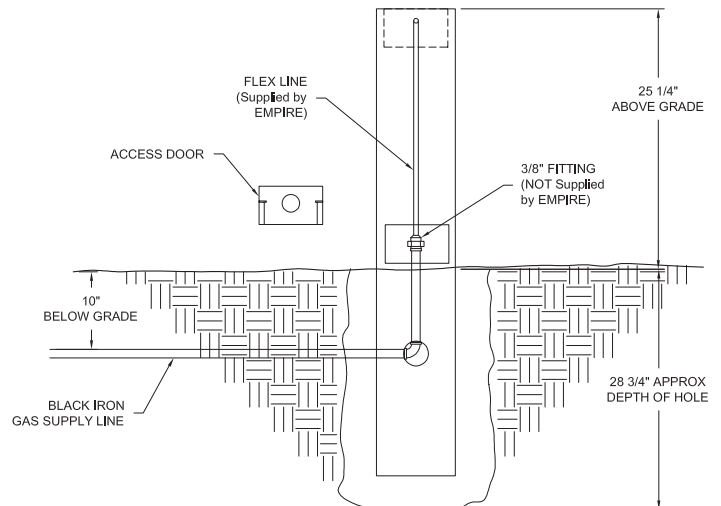


Figure 5

6. Attach the grease cup bracket assembly to the bottom of the grill casting and fasten with #10-24 x 3/4" bolt, 9/32 ID x 5/8 OD washer, and #10-24 wing nut. See Figure 6.

Use only the supplied grease cup or noncombustible containers for the grease cup (aluminum or tin cans). DO NOT use combustible containers such as paper or Styrofoam cups.

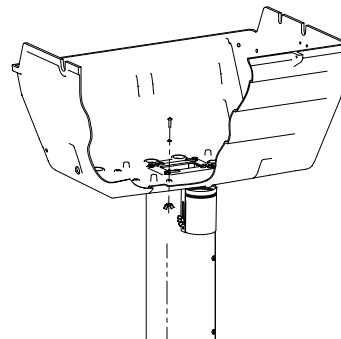
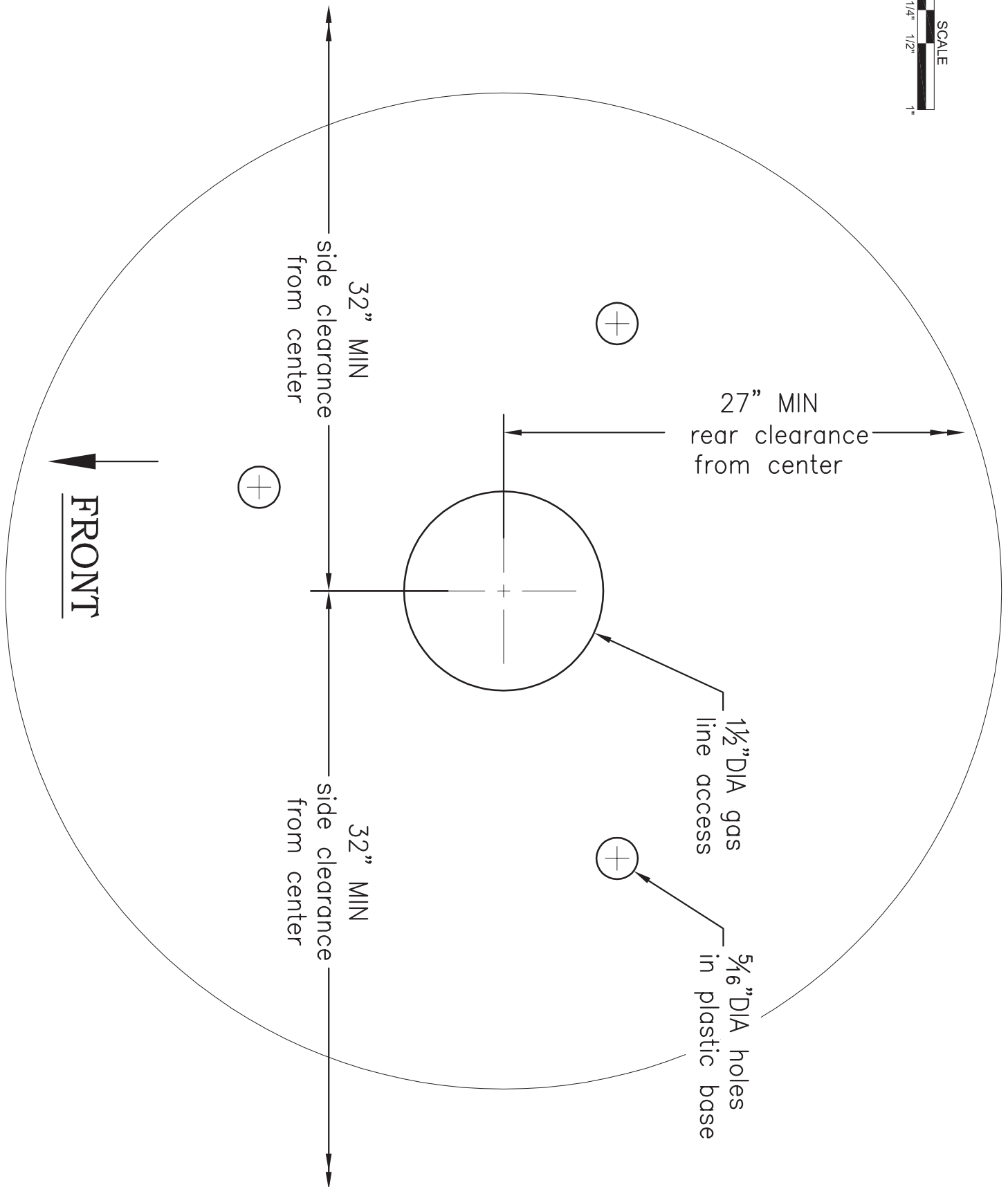


Figure 6

7. Continue assembly as directed by the Owner's Manual packaged with the grill head.



# Template for mounting holes





**BROILMASTER®**

A Division of Empire Comfort Systems, Inc.

918 Freeburg Ave.

Belleville, Illinois 62220

Phone: 1-800-851-3153

FAX: 1-800-443-8648

VISIT OUR WEB SITE AT [www.broilmaster.com](http://www.broilmaster.com)

**RETAIN OWNER'S MANUAL FOR FUTURE REFERENCE.**