

Sunstone Metal Products  
16004 Central Commerce Dr  
Pflugerville TX 78660  
Tel: 888.934.9449  
Bus: 512.487.5116  
Fax: 512.487.7016

**PRODUCT**  
24" x 17" Verticle Door  
Item No. DV1724

**DESCRIPTION**  
24" x 17" Vertical Single Door  
This model can Be installed  
eighter Left or Right Swing

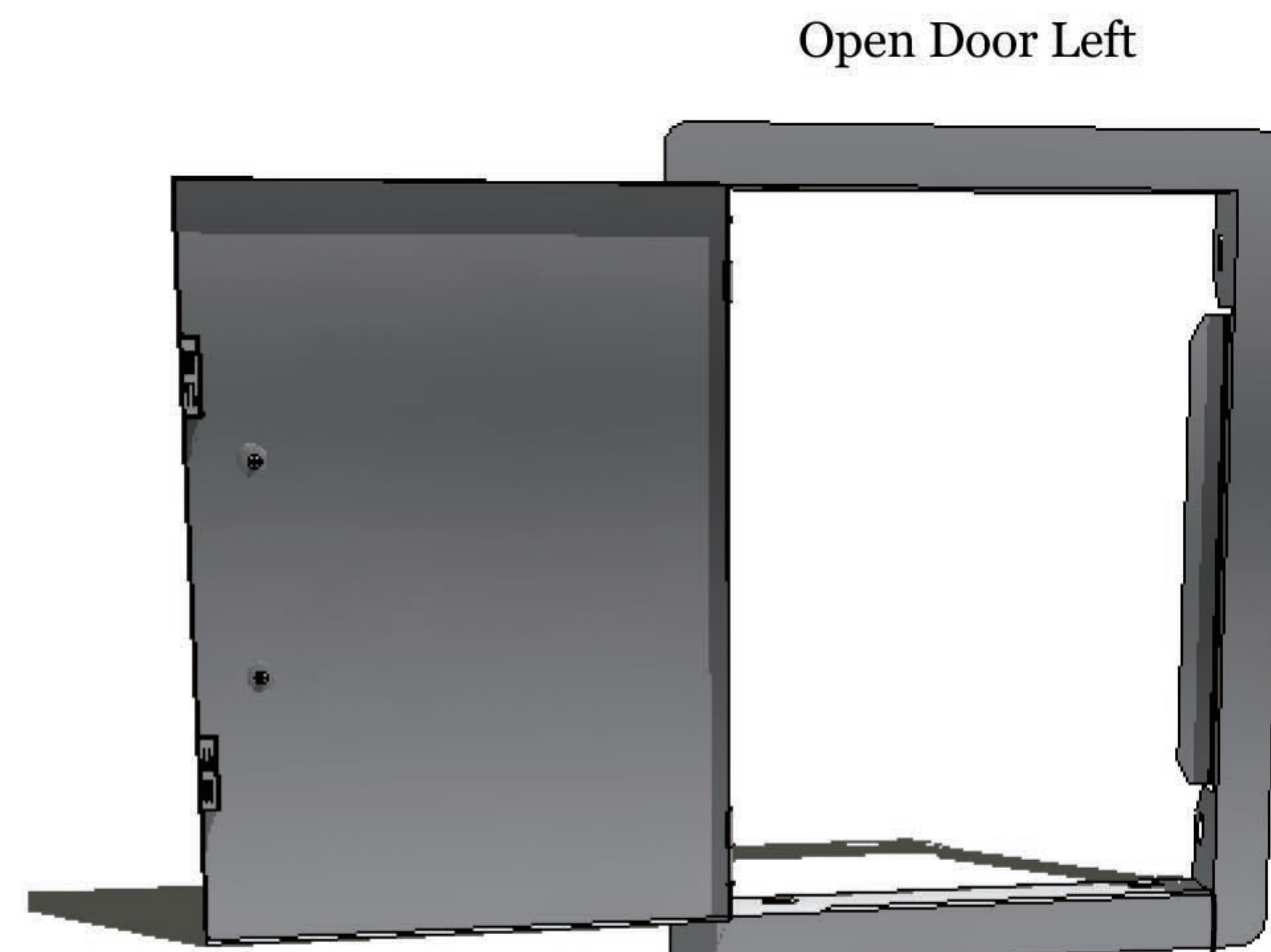
24" x 17" Verticle Door  
20"W x 27"H x 1 5/8" D(Product Size )  
17 1/4"W x 24 1/4"H (Cut-out )  
11.5 LBS ( Weight )

**Material Specifications:**  
16 Gauge 304 Stainless Steel,  
Handles are made of Zinc Alloy,  
Chrome Plated.

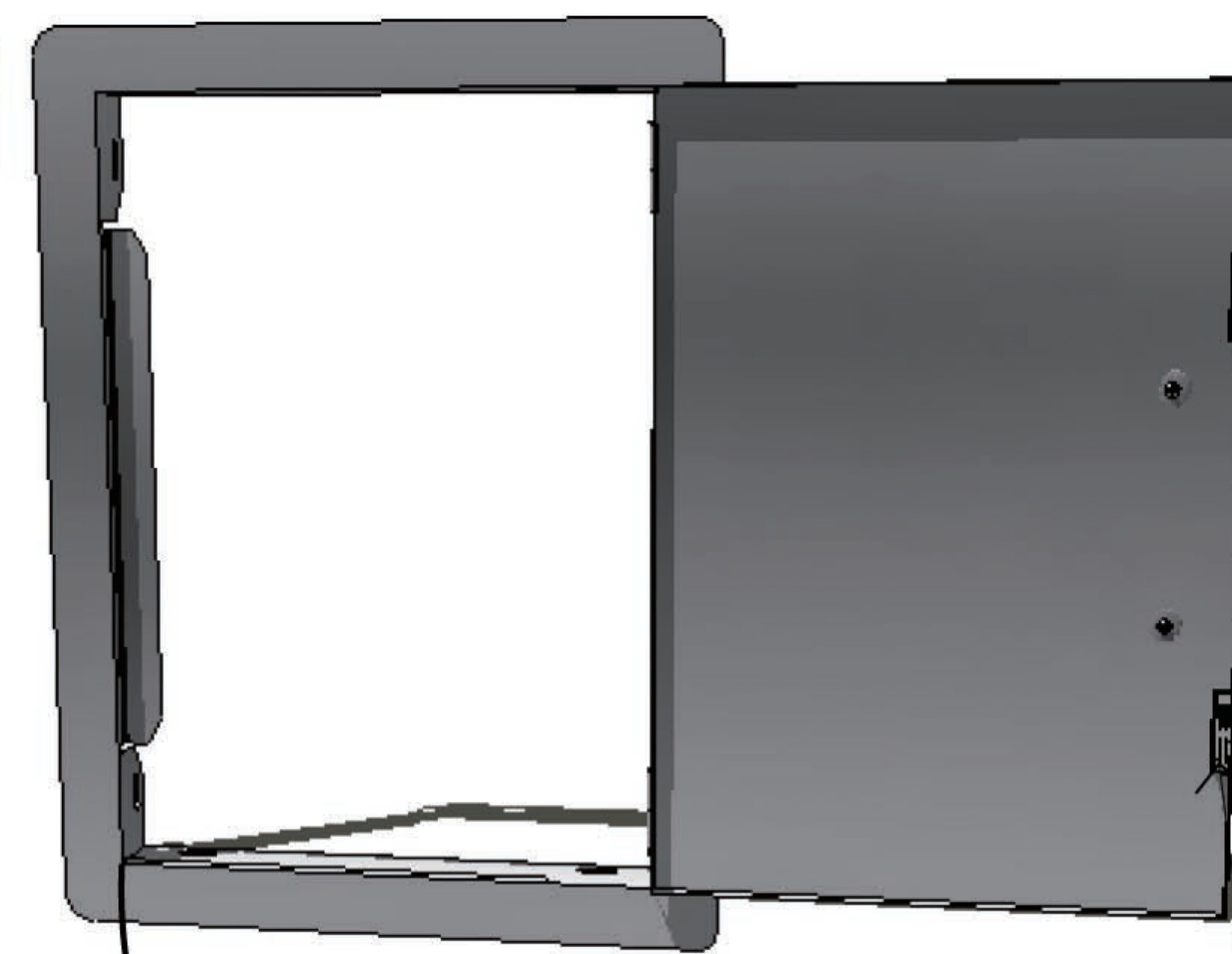
Top and Bottom Magnets to  
secure the door close, for  
Left or Right Positions



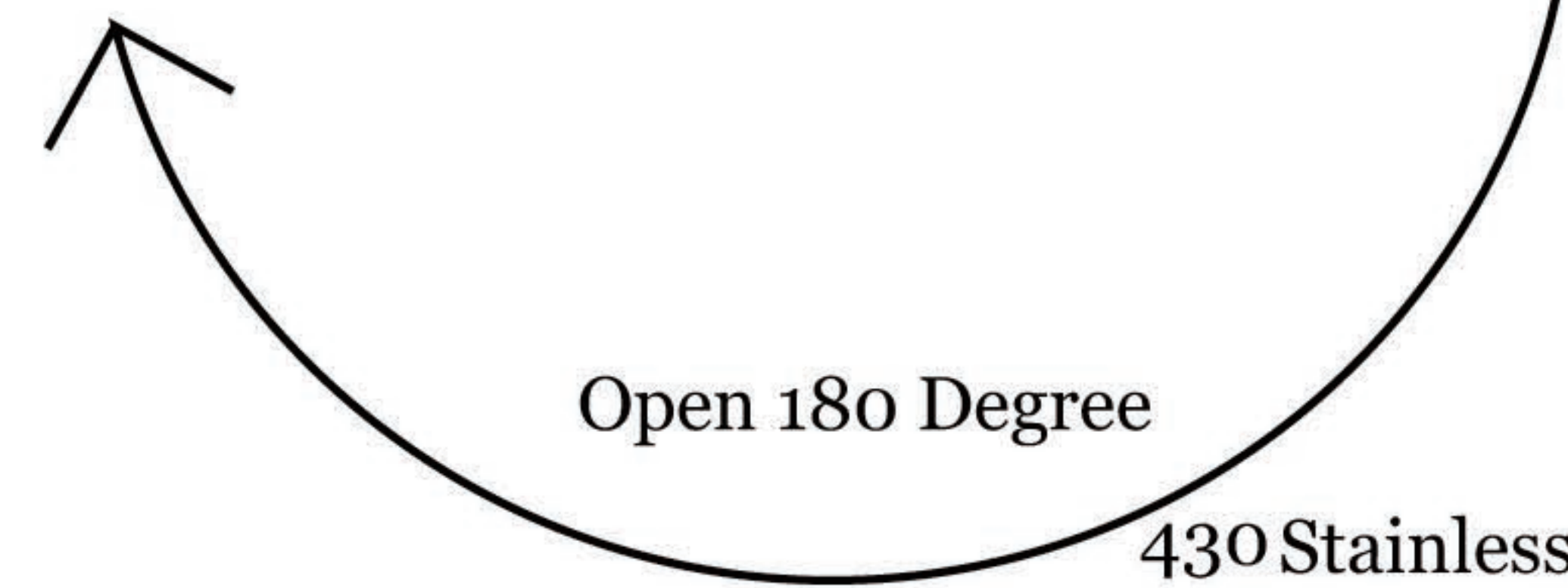
Sturdy handle made of  
Zinc Alloy, Chrome Plated



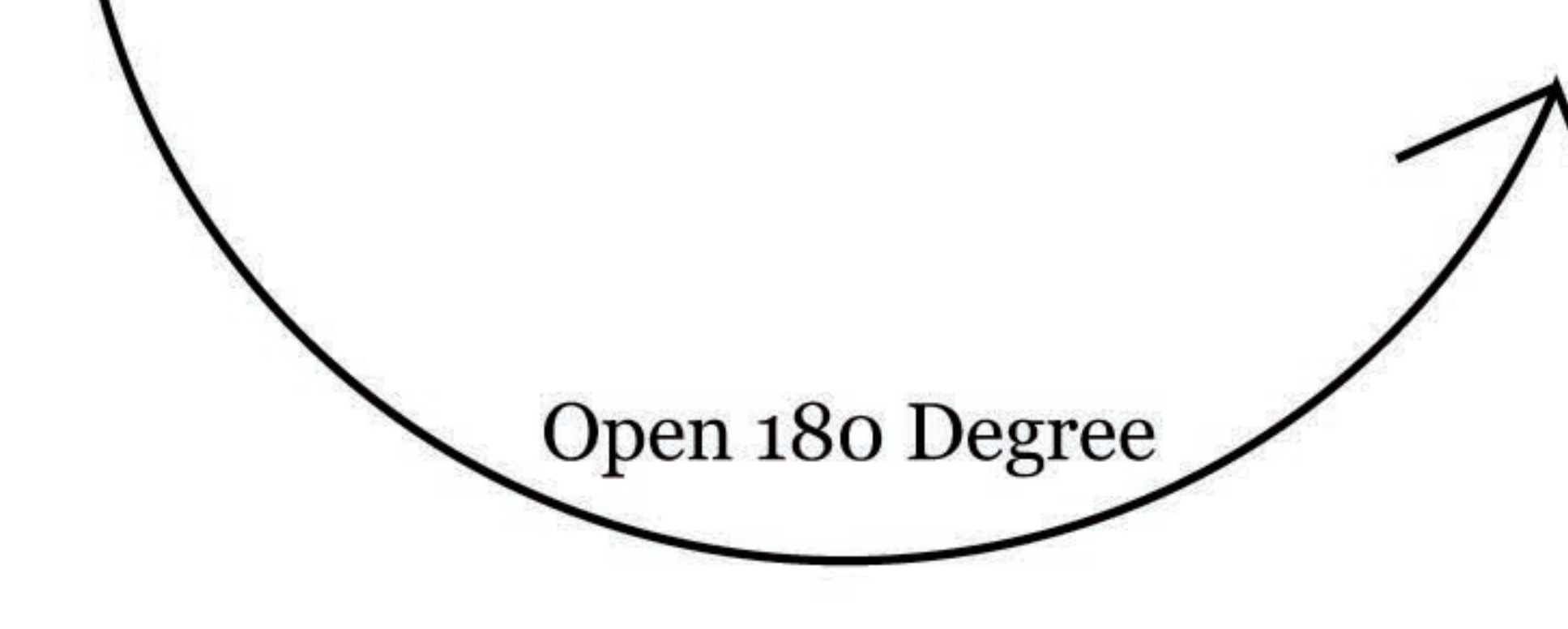
Open Door Left



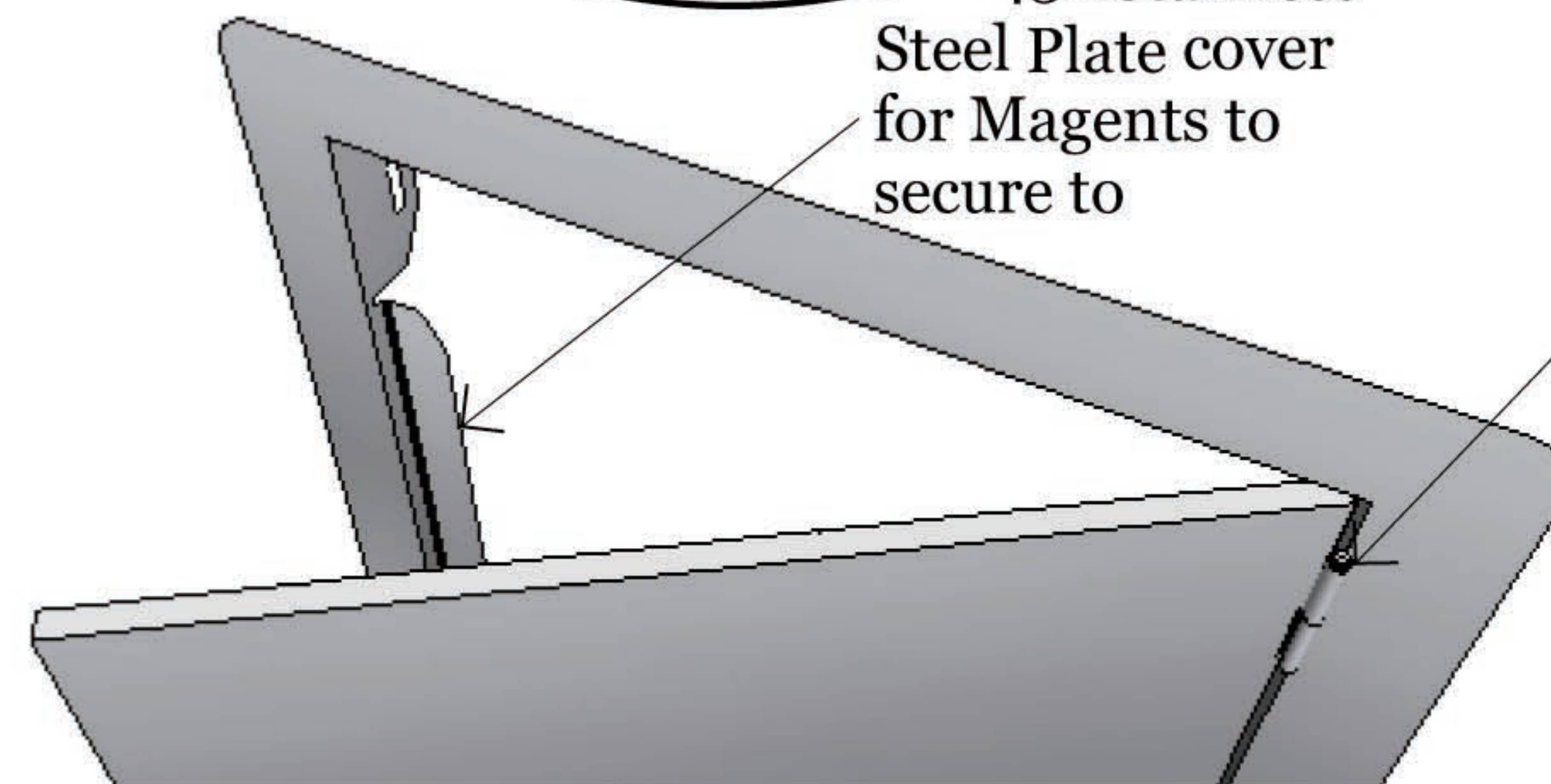
Open Door Right



Open 180 Degree



Open 180 Degree

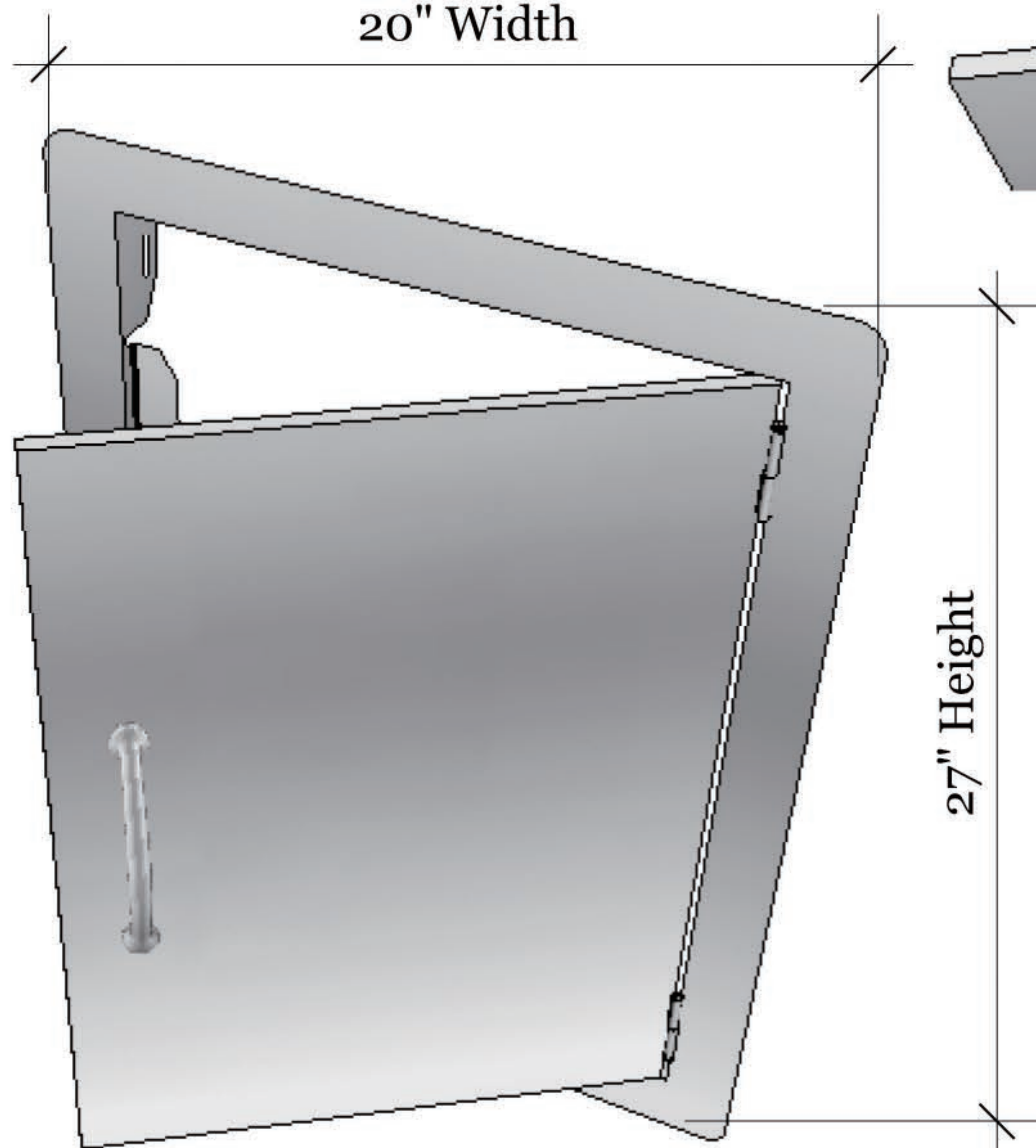


430 Stainless  
Steel Plate cover  
for Magents to  
secure to

Reversable Hinge  
so Door stays Secure  
for Opening Left  
or Right

Product Dimension

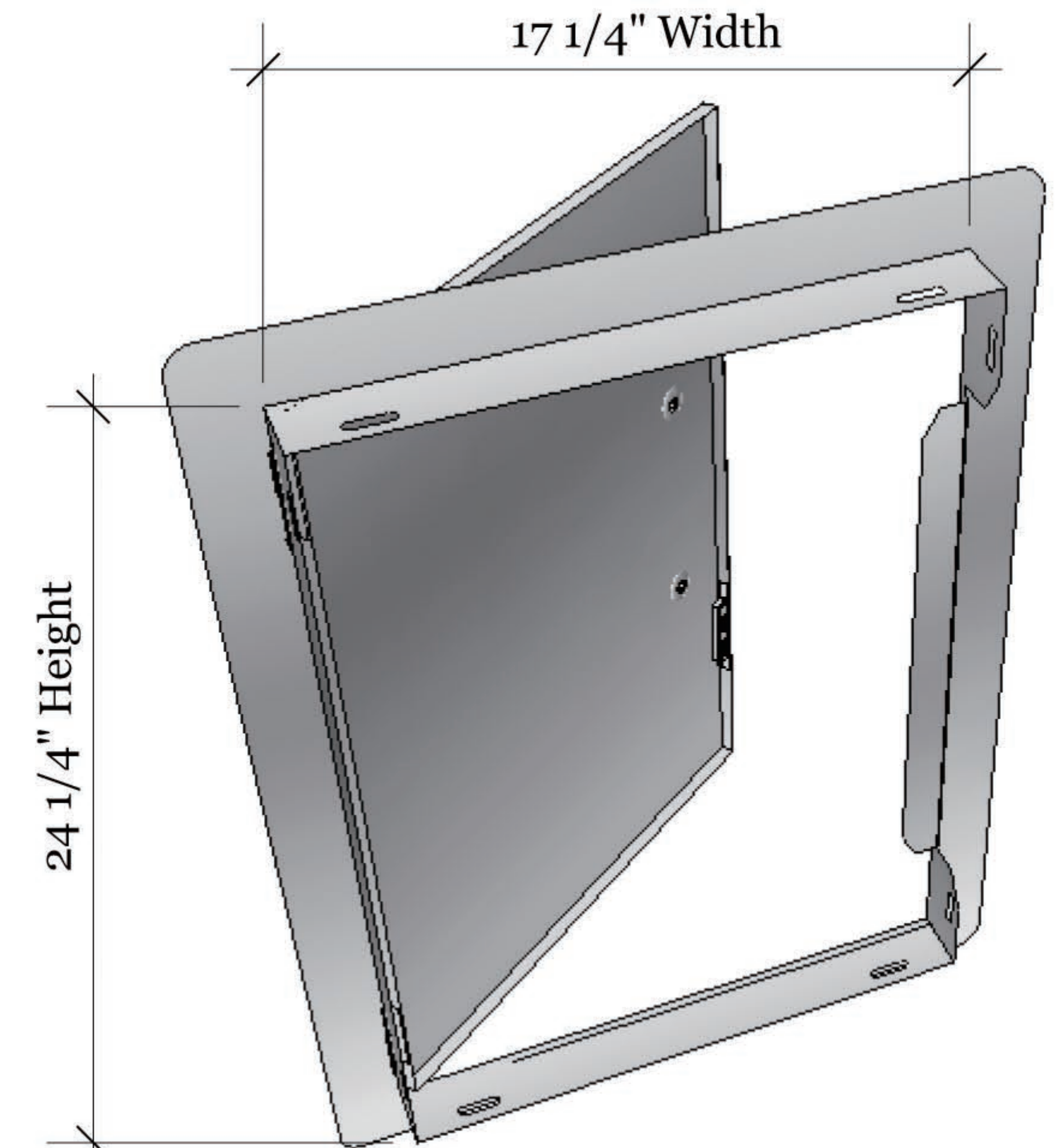
20" Width



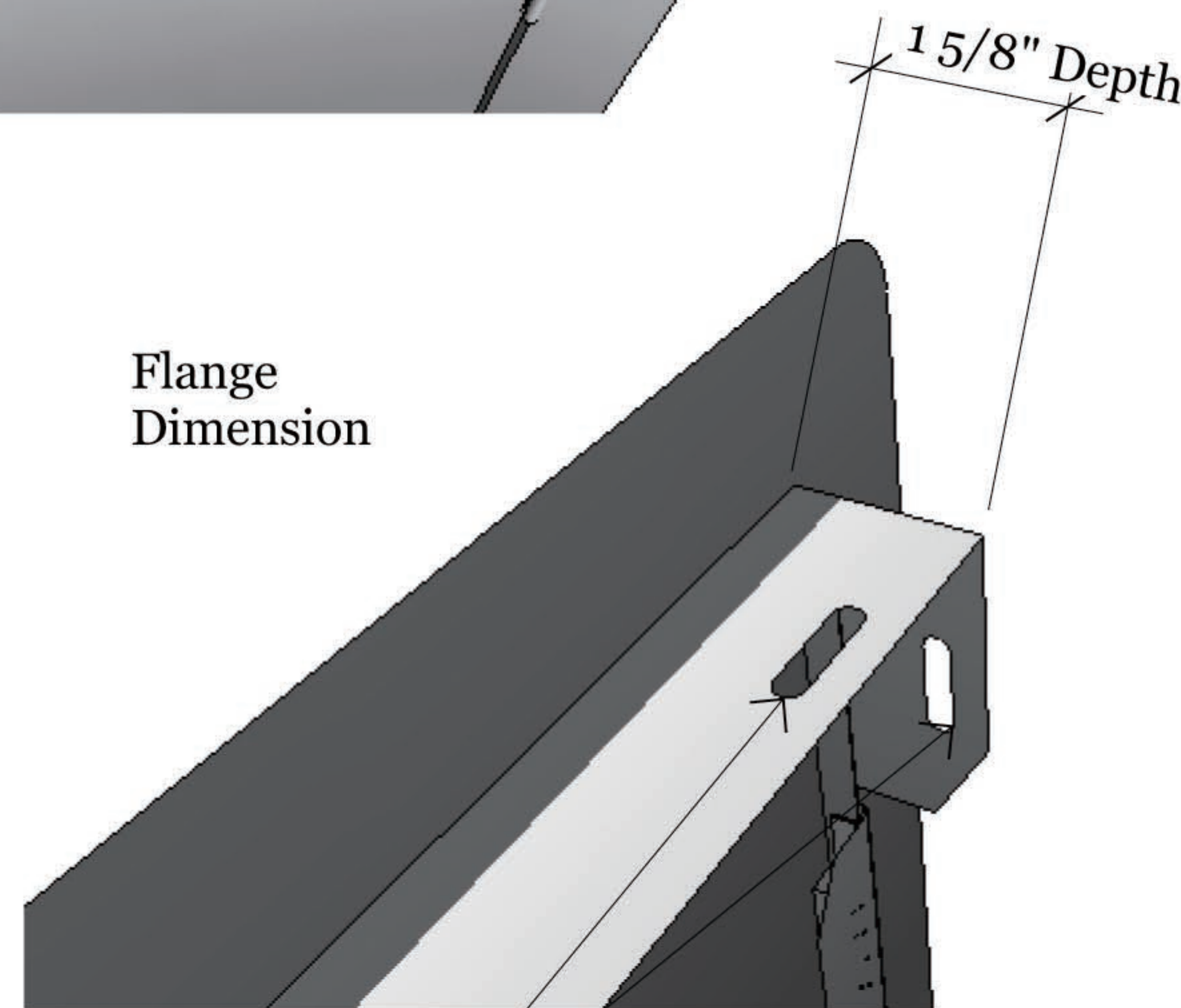
27" Height

Cut-out Dimension

17 1/4" Width



24 1/4" Height



Flange  
Dimension

1 5/8" Depth

Top, Bottom and Side Mounting Holes