

ICE CHEST SPECIFICATIONS & INSTALLATION

PRODUCT
Sunstone Drop-In Ice Chest
w/Divider Walls
Item No. A-IC

DESCRIPTION
Drop-In Ice Chest all 304 Stainless Steel w/Two Divider Walls & Fully Insulated

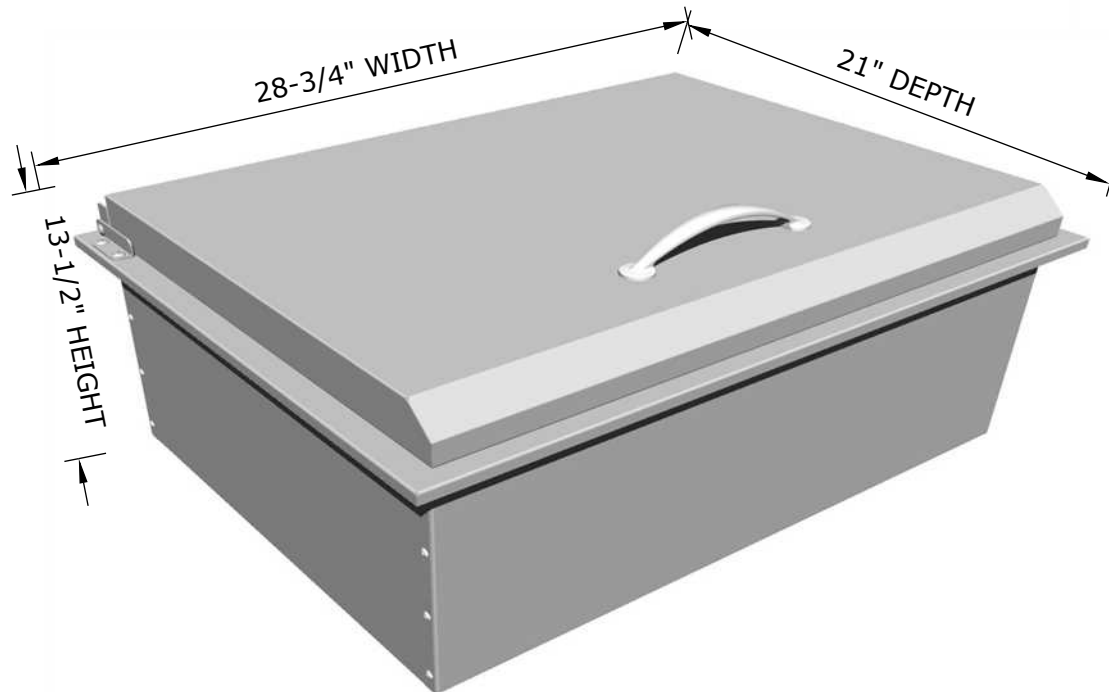
PRODUCT DIMENSIONS
28-3/4" WIDTH x13-1/2" HEIGHT
x21" DEPTH (PRODUCT SIZE) 26-1/8" WIDTH x10-1/4" HEIGHT x19-1/8" DEPTH (CUT-OUT)

SPECIFICATIONS
304 Stainless Steel 16 Gauge for frame and hood, 20 Gauge for outside box
Handles are made of Zinc Alloy, Chrome Plated.

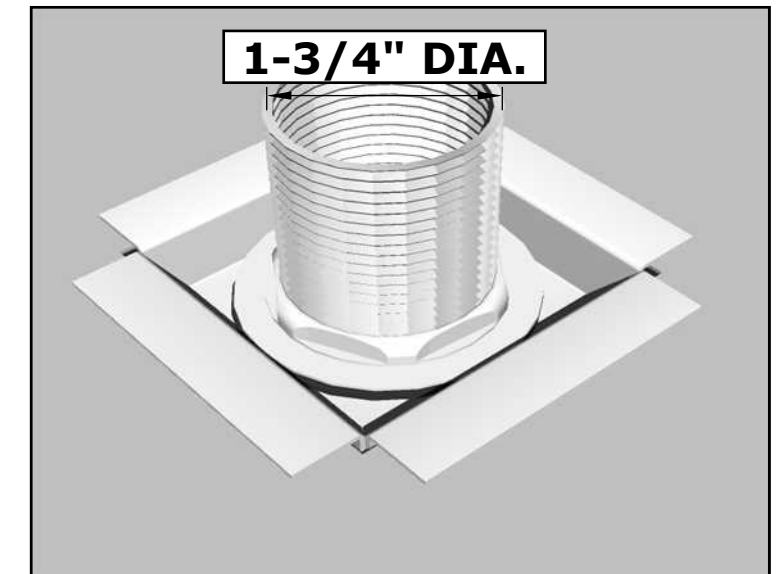
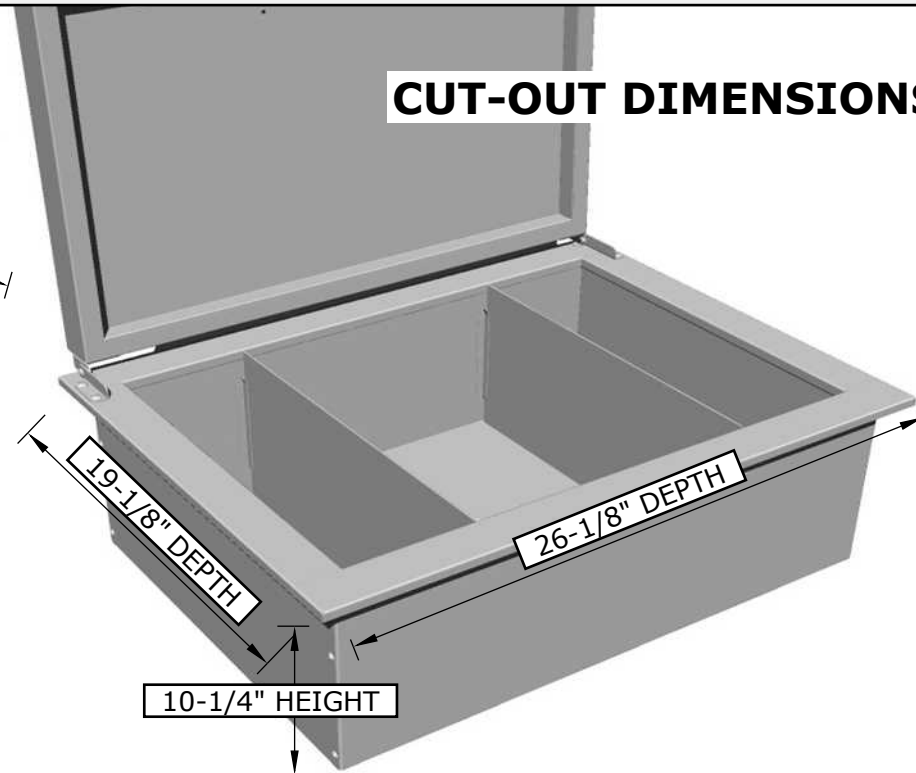
WARRANTY

- EXTERIOR FINISH -----3 YEARS
- STRUCTURE -----3 YEARS
- HANDLE-----1 YEAR
- DRAIN-----1 YEAR

PRODUCT DIMENSIONS



CUT-OUT DIMENSIONS



PLACING:

The Drop-In Ice Chest is "Self-Rimming", meaning that whatever the Cut-Out edge looks like, as it is always rough, the product rim will cover all edges. Make the Cut-Out in counter surface matching to our provided dimensions shown, and simply insert Ice Chest in through the open hole. It will Free-Hang so do not build any support below the Ice Chest, and no other mounting brackets are needed.

MOUNTING:

Use "Clear Silicone" around All exterior edges in order to keep Ice Chest secure in it's position and also to seal against Rain Weather Conditions. Some installations may require something more heavy duty like Nail-Glue to secure Ice Chest in place, but if using this - use under the Lip Edge so it is not noticeable from counter surface.

ADJUSTING:

Access Doors should be installed below Ice Chest for ease of access, this is also where you can install plumbing drain. The Drain Width is 1-3/4" Inches Diameter and will fasten in to most drain assemblies. Depending on the Island Construction and or Local Building Code requirements, drains can be installed with complete P-Trap setup, or even using a simple Flex-Hose to side yard. Please check with own Local Building Codes and Permits required for Drain Lines.

