

# SUNSTONE®

## 14" BAR CENTER COCKTAIL SINK & ICE CHEST

### PRODUCT

14" Bar Center Cocktail Station Sink & Insulated Ice Chest

Item No. B-RBC14

### SPECIFICATIONS

14" W x 25" D x 11" H ( Product Size )  
 13-1/4"W x 9-3/4"H x 21-1/2" D (Cut-out )  
 43 LBS ( Product Weight )

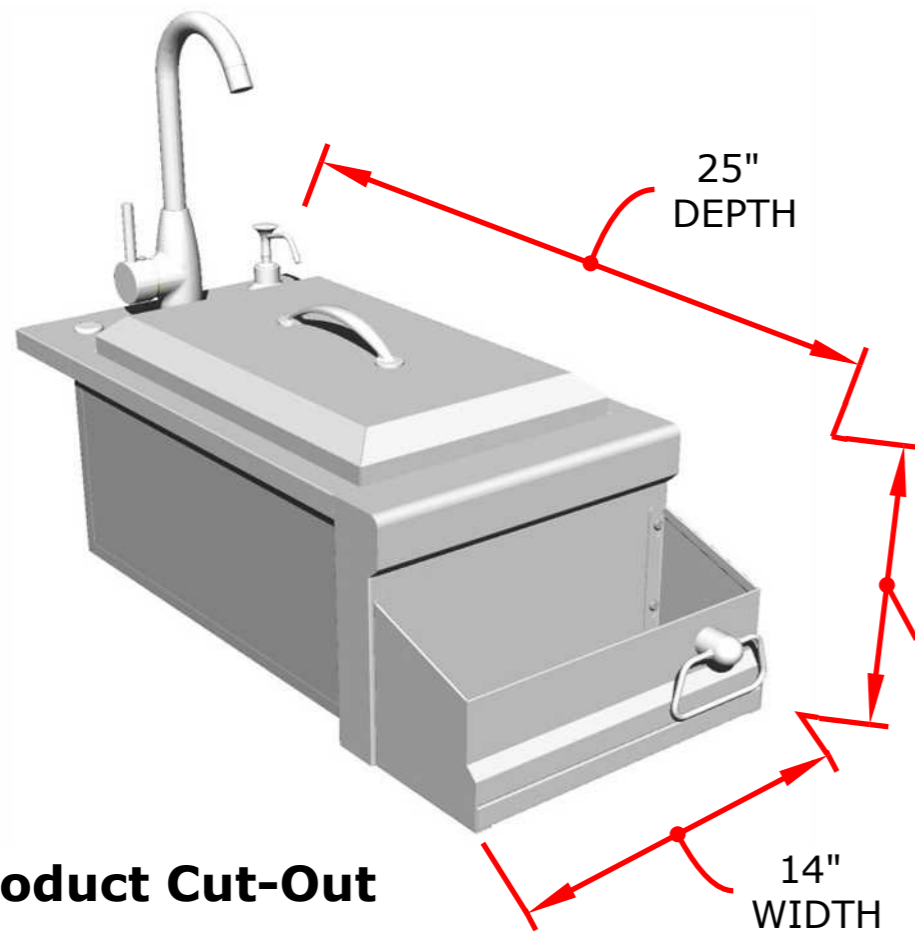
### WARRANTY

- STRUCTURE-----3 YEARS
- FAUCET/SOAP-----1 YEAR
- DRAIN-----1 YEAR

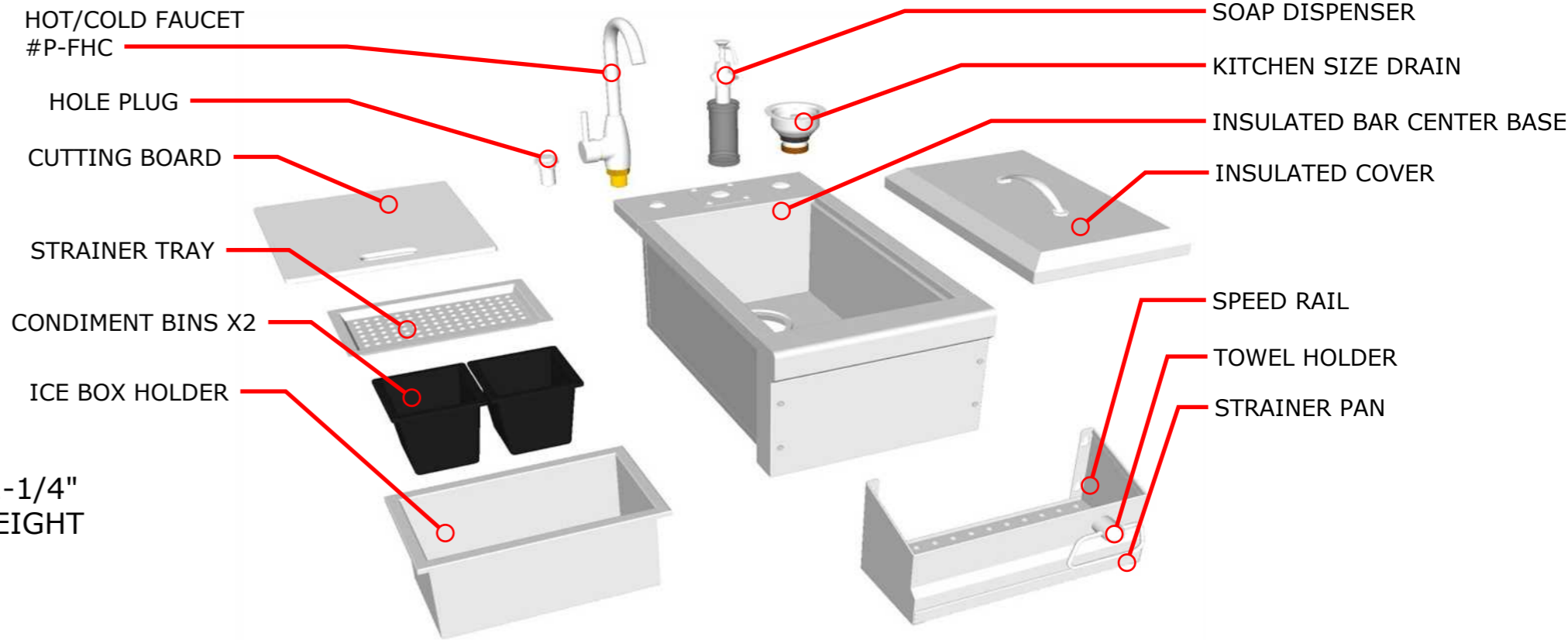
### TECHNICAL SUPPORT

SUNSTONE METAL PRODUCTS LLC.  
 TOLL FREE: 888-934-9449  
 SERVICE@SUNSTONEMETALPRODUCTS.COM

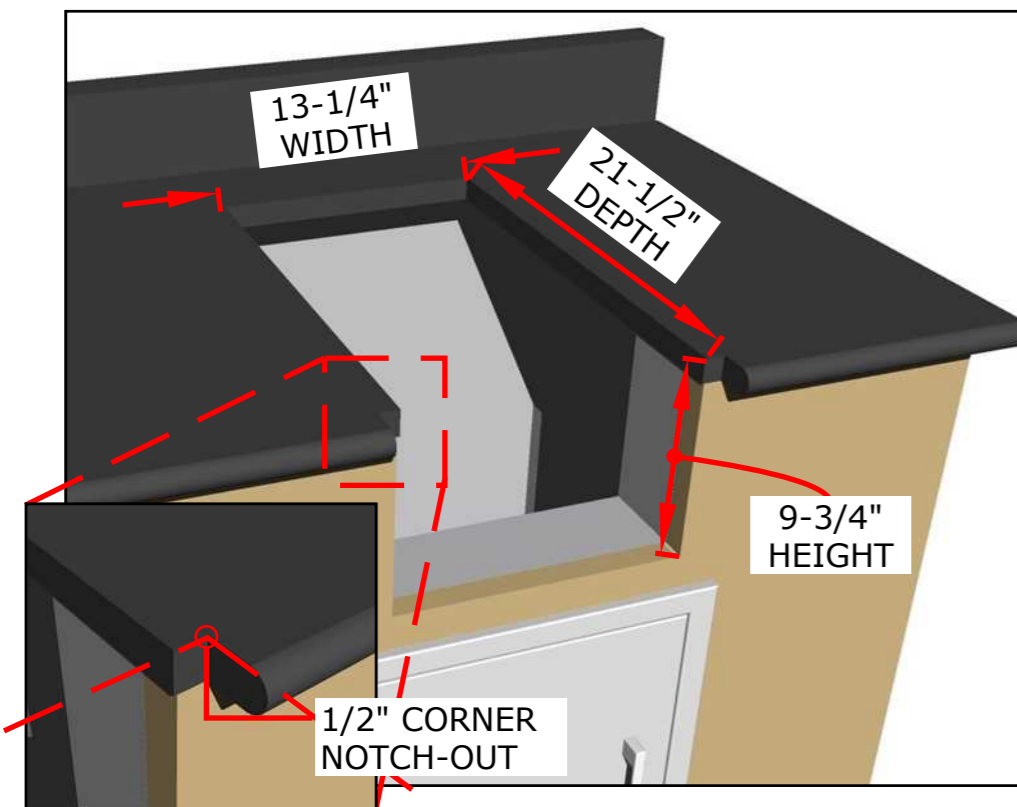
### Product Dimensions



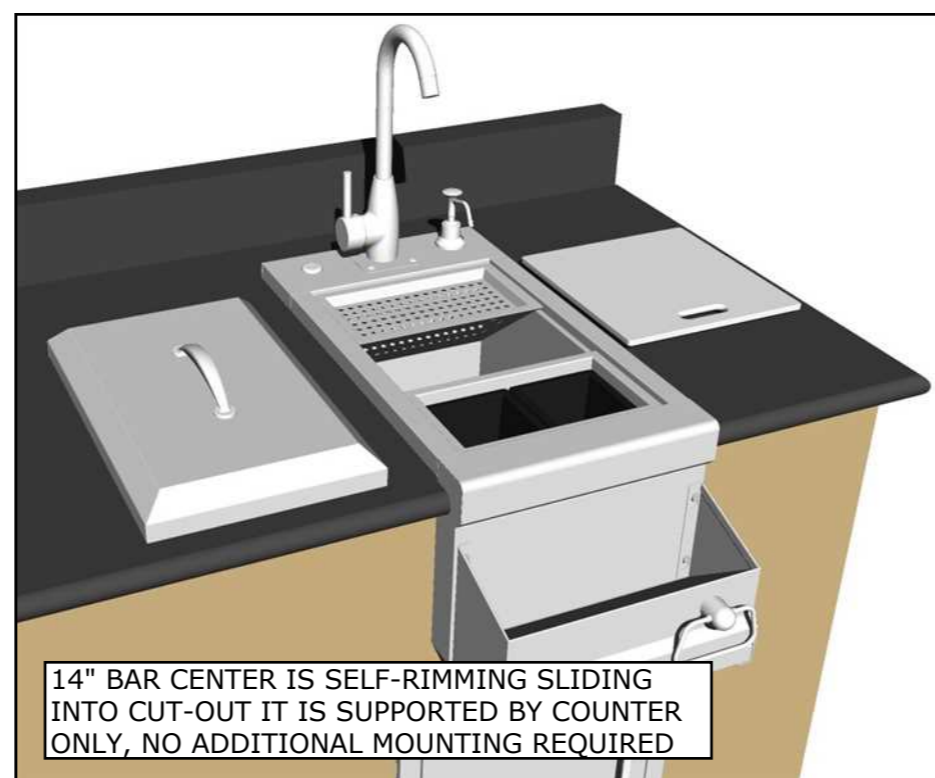
### Product Features



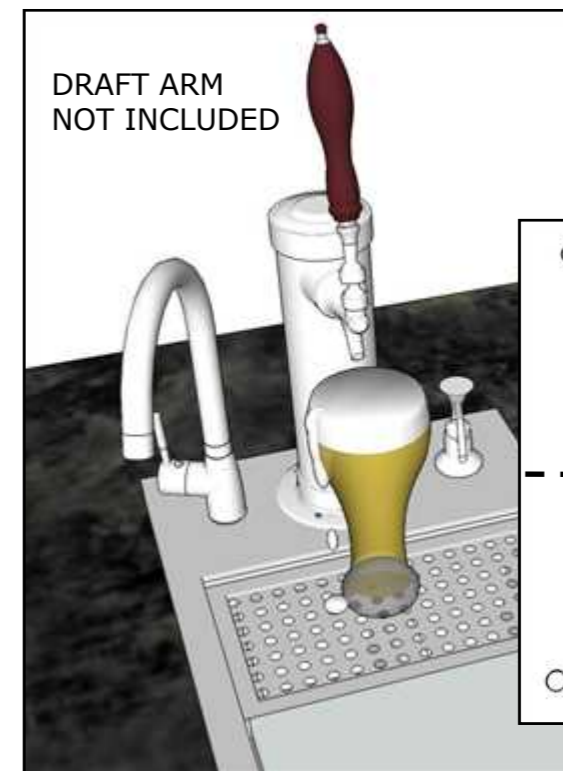
### Product Cut-Out



### Product Installation



### MOUNT DRAFT ARM



### MATERIAL SPECIFICATIONS

- \* 16 Gauge 304 stainless steel for the sink
- \* Tap is made of brass with zinc plated.
- \* Dispenser is zinc-plated.

