



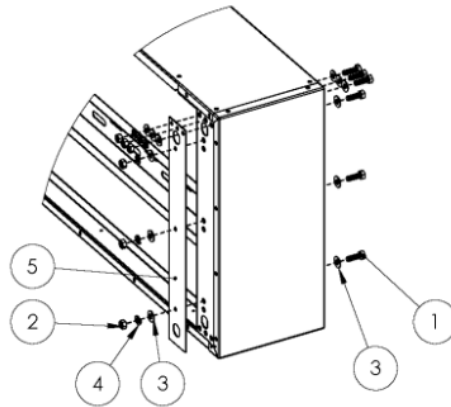
## WALL MOUNTED VENT HOOD SPACER

Description	SSVH-36	SSVH-48	SSVH-60
1/2" Mounting plate	SSVH-36-SPT	SSVH-48-SPT	SSVH-60-SPT
4" Vent Hood Spacer	SSVH-36-SP4	SSVH-48-SP4	SSVH-60-SP4
8" Vent Hood Spacer	SSVH-36-SP8	SSVH-48-SP8	SSVH-60-SP8

**SPECIFICALLY DESIGNED FOR SUMMERSET VENT HOOD MODELS: SSVH36 / SSVH48 / SSVH60**

Read and follow all instructions. The SSVH-SPT/SP4/SP8 series wall mounted spacers must be secured into multiple wall studs using proper hardware to ensure sufficient load support. Metal framework will require additional wall studs and screws for appropriate support. Installation must be done by a qualified professional installer. Please review and understand this section prior to proceeding with installation.

After the wall mounted spacer is secured into its permanent location, untighten and remove all hex nuts from the mounting hex cap screws. All mounting hardware are pre-installed with the spacer. Ensure that the filler plates remain intact (see figure below).



Attach the vent hood directly into the spacer through the mounting holes located on the rear hood cover plate. Fasten and tighten all hex nuts. Reference the parts list below to identify the hardware included with your wall mount spacer.

Item	Description	QTY
1	5/16-18x1 SS Hex Head Cap Screw	12
2	5/16 - 18 SS Hex Nut	12
3	5/16 - 18 SS Flat Washer	24
4	5/16 - 18-8 SS Split Lock Washer	12
5	Filler Plate	2
**	Instruction Sheet	1