

| ITEM | WIDTH (W) | DEPTH (D) | HEIGHT (H) |
|-------------------------|-----------|-----------|------------|
| S27T & LBC | 28" | 23" | 9-1/2" |
| S36T | 36-1/2" | 23" | 9-1/2" |
| SIDE BURNER / SMALL BEV | 12-1/2" | 18-1/2" | 9" |
| MDS L30 | 29 1/4" | | 19-3/8" |
| MDS L39 | 38" | | 19-3/8" |
| M2DS | 14" | | 20" |
| TETD | 15" | | 25-1/2" |
| | | | |

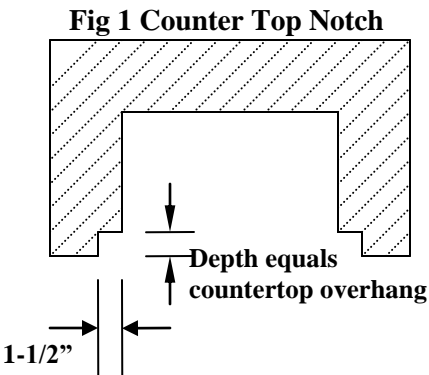
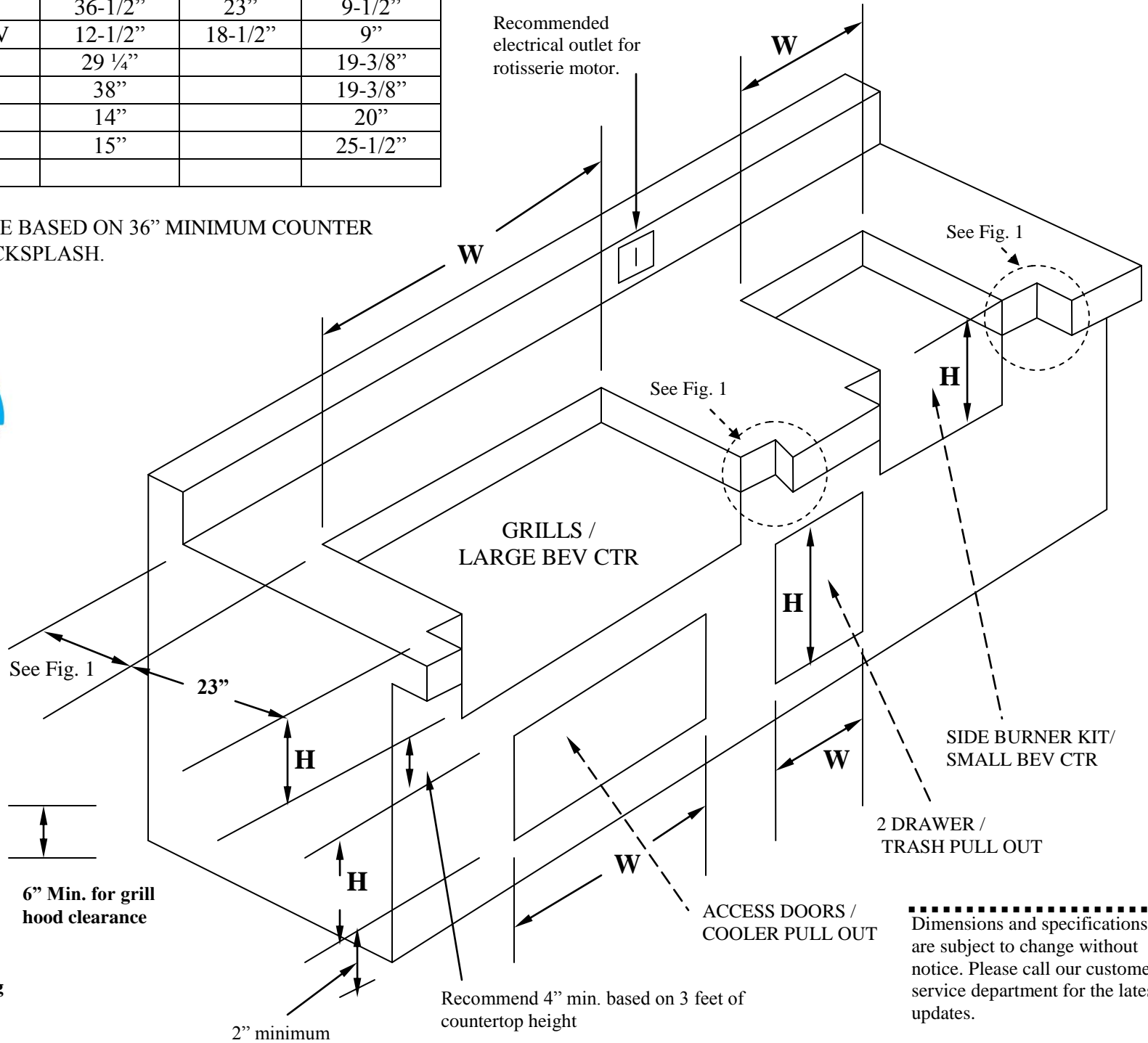
***ALL MEASUREMENTS ARE BASED ON 36" MINIMUM COUNTER HEIGHT AND A 6" TO 12" BACKSPLASH.



AEI CORPORATION
 2641 Du Bridge Ave.
 Irvine, CA 92606
 Office 949-474-3070
 Fax: 949-474-0559

info@aeicorporation.com
www.aeicorporation.com

RECOMMEND TO BUILD WITH NON-COMBUSTIBLE MATERIALS



.....
 Dimensions and specifications are subject to change without notice. Please call our customer service department for the latest updates.