



PRODUCT
14" WINGS FOR POST
MOUNT
Item No. SUNJKWING

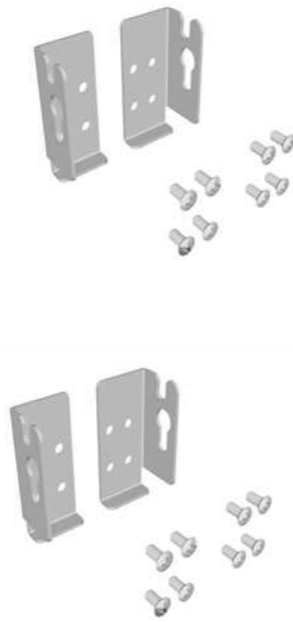
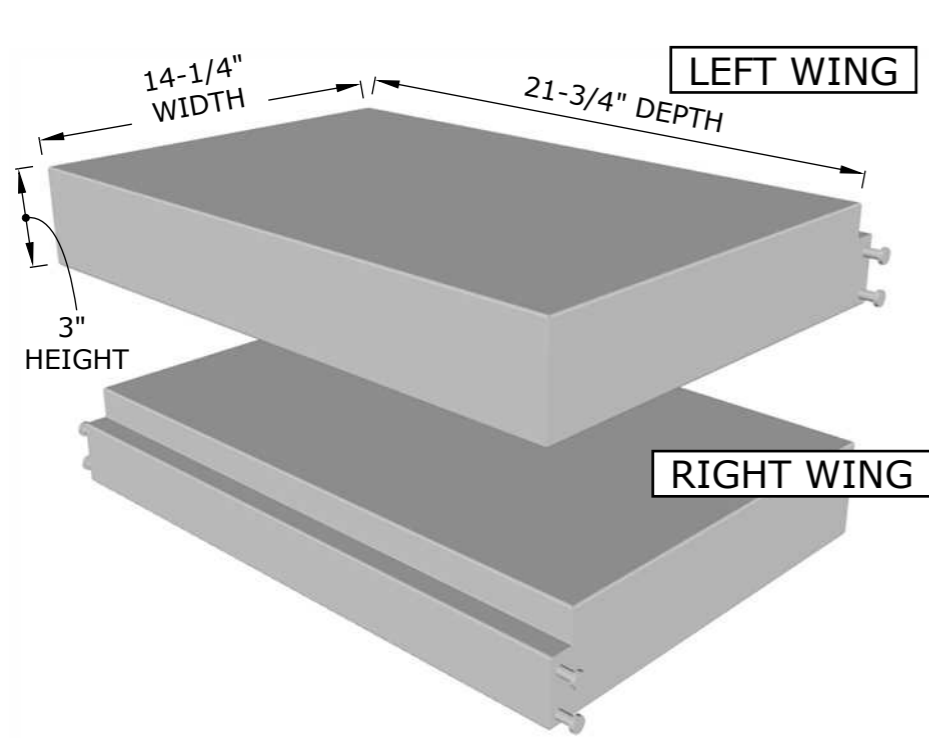
DESCRIPTION
14-1/4"W X 21-3/4"D TWO
ADJUSTABLE WINGS
W/BRACKETS FOR GRILL JACKET

PRODUCT DIMENSIONS
14-1/4"W X 21-3/4"D X
3"H

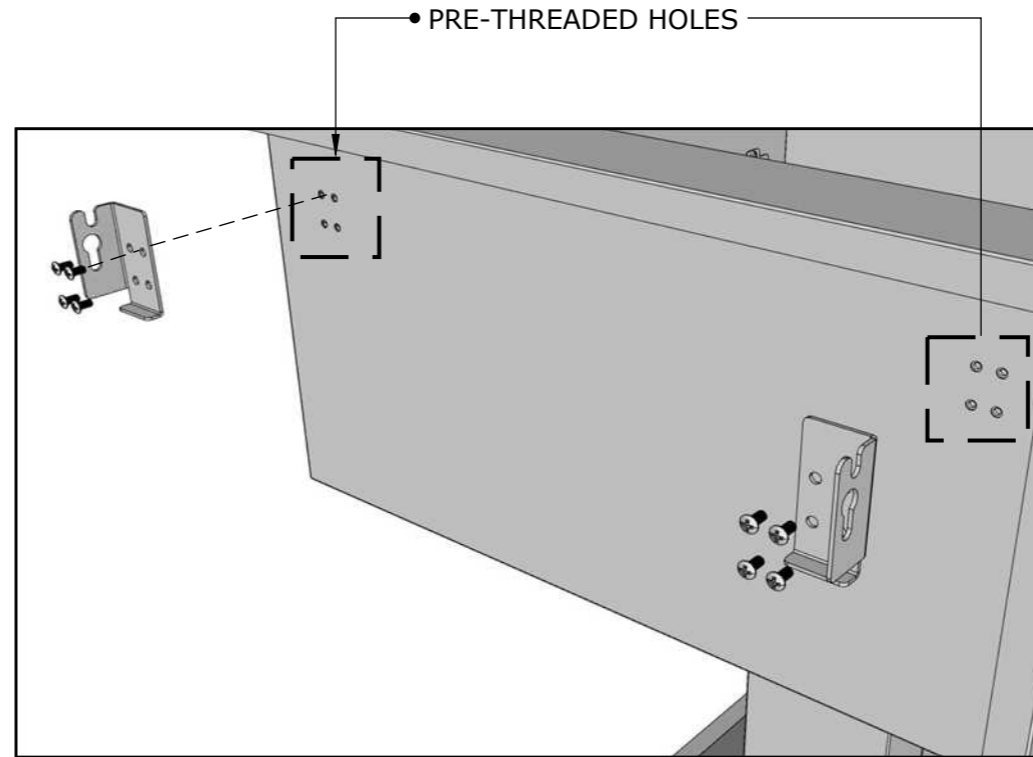
MATERIAL SPECIFICATIONS
18 Gauge 304 stainless steel for adjustable wings w/brackets,
12 Gauge 304 stainless steel for mounting plate

TECH SUPPORT 888-934-9449

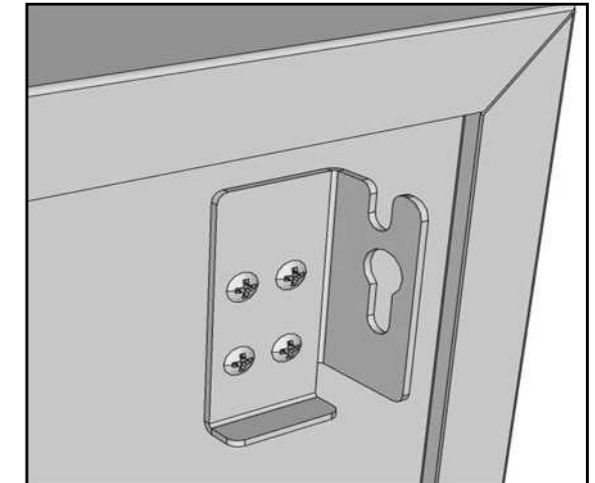
PRODUCT DIMENSIONS



X4 BRACKETS
X16 SCREWS



MOUNT EACH BRACKET,
WITH ELBOW FACING
TOWARDS OUTSIDE EDGE



WHEN INSERTING EACH WING, PUSH PINS INTO ADJACENT BRACKETS AND PUSH PINS ALL THE WAY OVER ALLOWING OTHER SIDE TO SLIDE ALL THE WAY INWARD, HINGING PINS THROUGH SOCKET HOLES THEN SLIDING WING CENTERED MOUNTING WING.

UNHOOK TOP PINS TO ALLOW
WING TO HANG DOWNWARD.

