

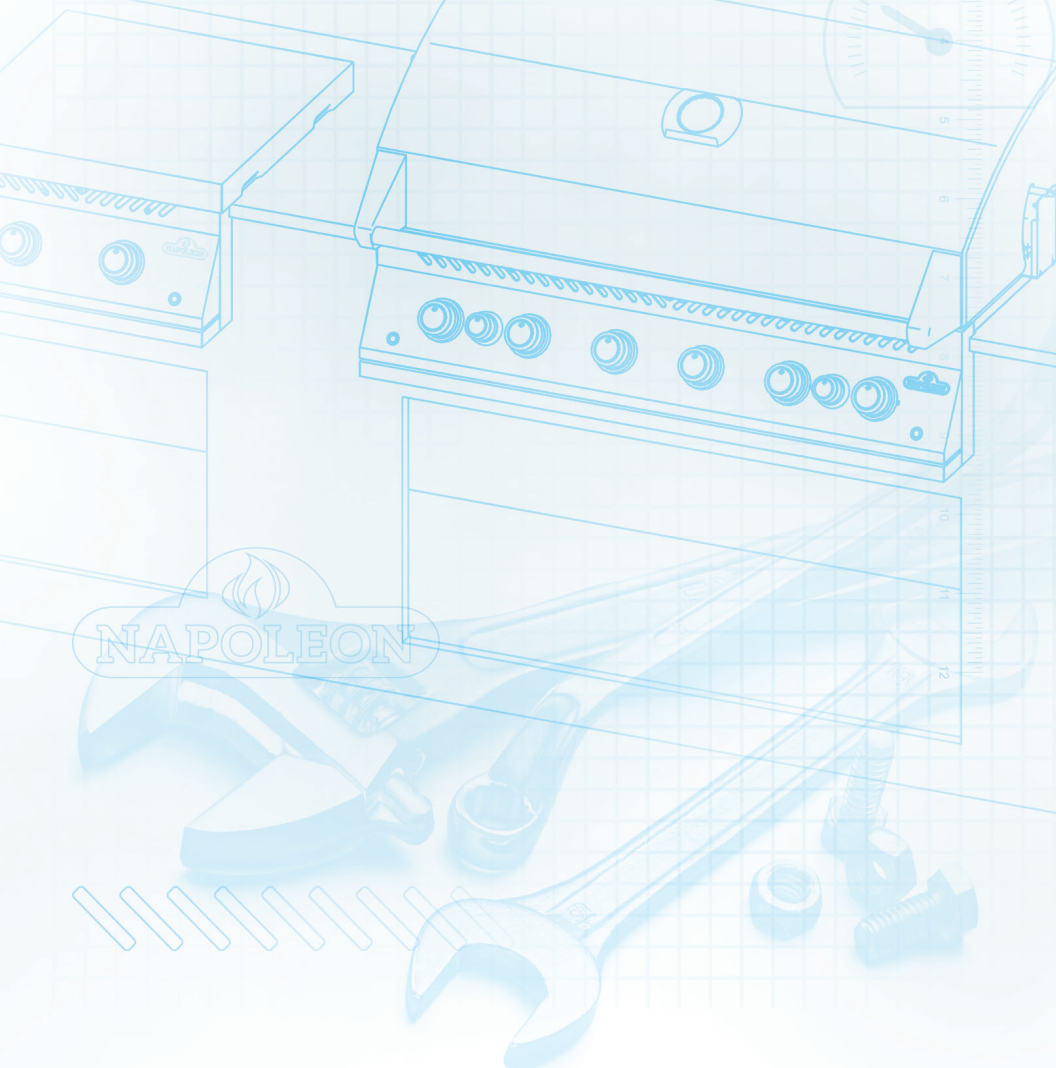


BUILT-IN SERIES

Assembly Guide

Guide de Montage / Guía de Ensamblaje

BIG32-1, BIG38-1, BIG44-1, BIB18, BIB12 & BIB10



WELCOME TO NAPOLEON!

Congratulations on upgrading your grilling game and welcome to the Napoleon family! Register your grill today. We want to be by your side as you live memorable moments.

Félicitations pour votre achat et bienvenue dans la famille Napoleon. Enregistrez votre grill dès aujourd'hui. Nous voulons être à vos côtés pour tous vos moments de grillades agréables.

Felicidades por elevar tu potencial como chef parrillero y Bienvenido a la familia Napoleon! Registra tu asador para permitirnos estar contigo mientras vives momentos inolvidables.

Ready to assemble your new grill?...



There may be visual differences between illustrations and model purchased.
Remove all parts from packaging before assembling the barbecue.
Set up this assembly on a solid, level and horizontal surface.



Il peut y avoir des différences visuelles entre les illustrations et le modèle acheté.
Retirez toutes les pièces de l'emballage avant d'assembler le barbecue.
Installez cet assemblage sur une surface solide, plane et horizontale.

Considera que puede haber diferencias entre las ilustraciones en esta guía y el modelo adquirido. Retira todas las partes de sus empaques antes de comenzar.
Asegurate de ensamblar tu parrilla en una superficie plana y sólida.



These are the tools you'll need (not included)

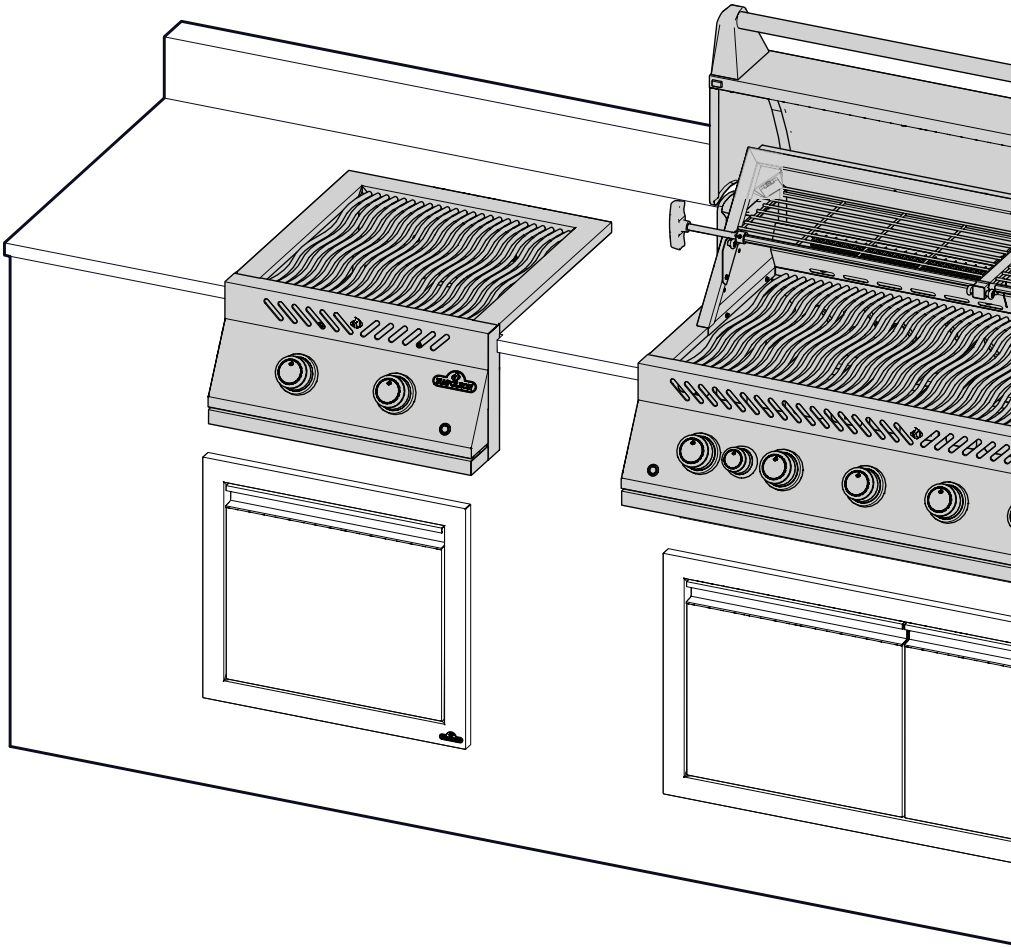
Ce sont les outils dont vous aurez besoin (non inclus)

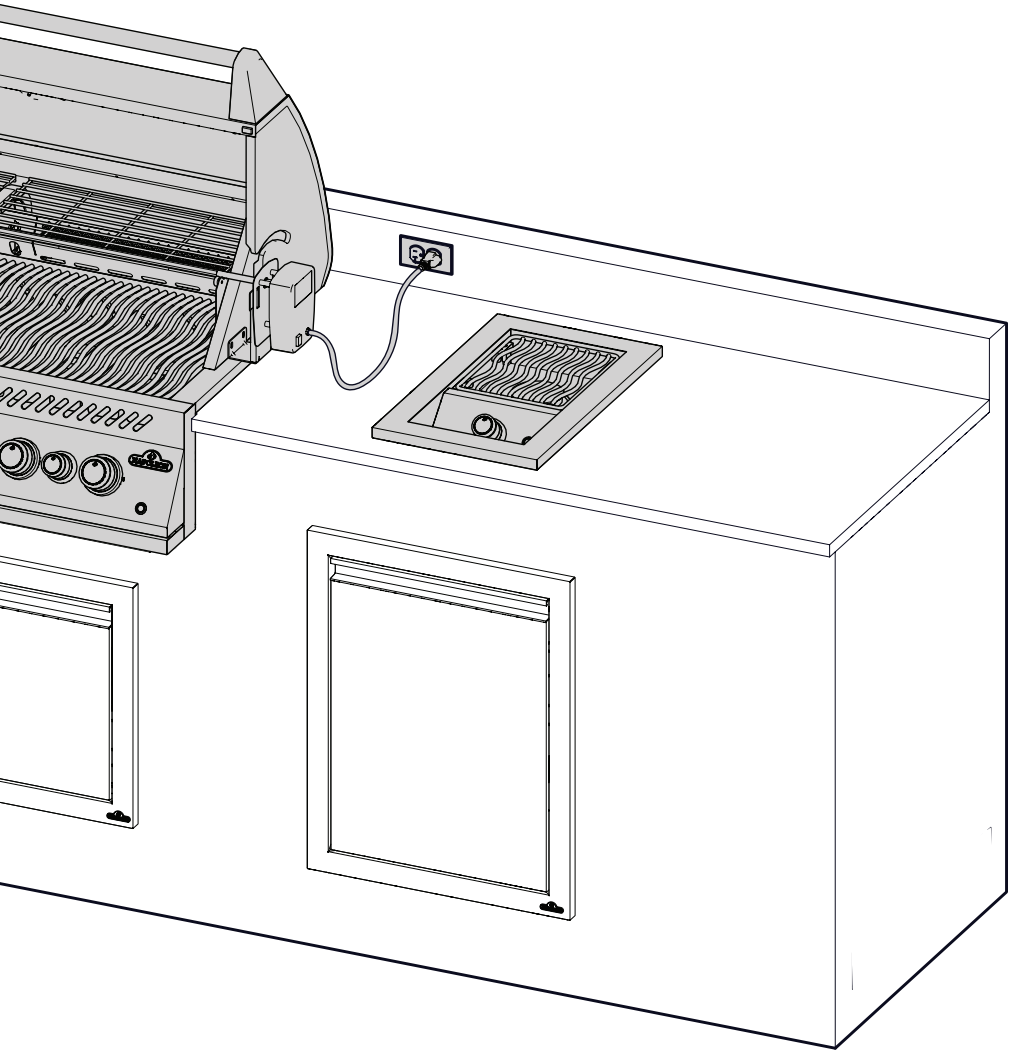
Estas son las herramientas que necesitarás (no incluidas)



BUILT-IN SERIES

Assembled Grill and Burners





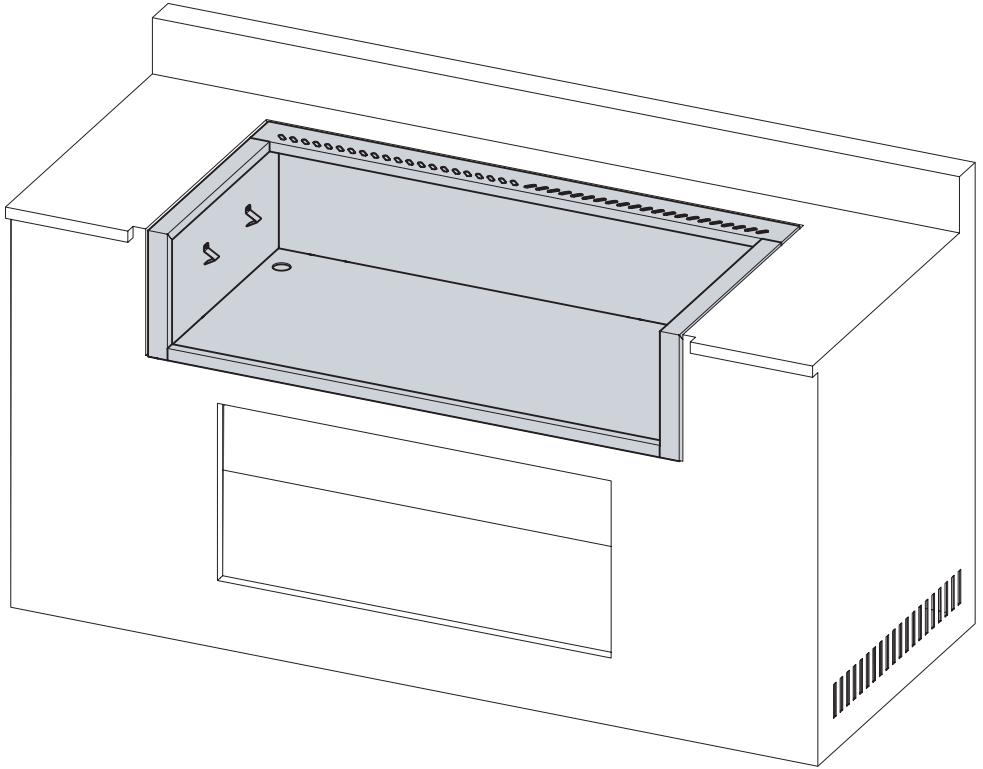
BI-3623-ZCL

BI-4223-ZCL

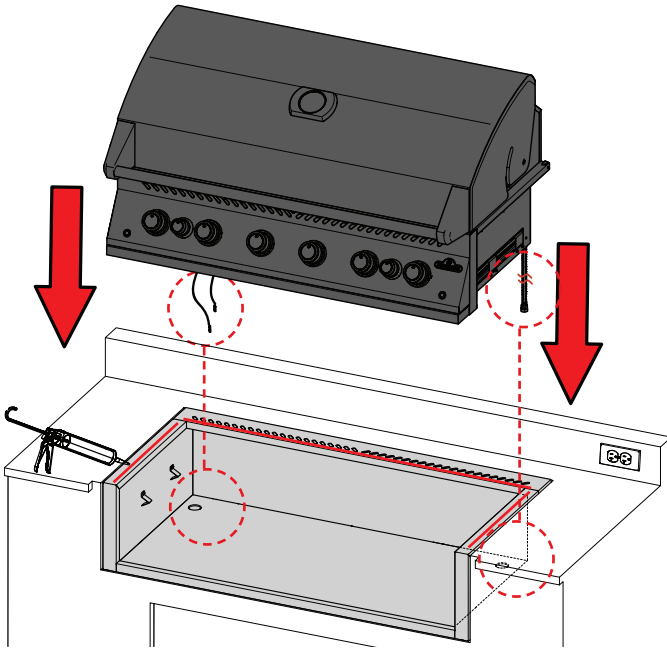
BI-4823-ZCL

BI-2423-ZCL

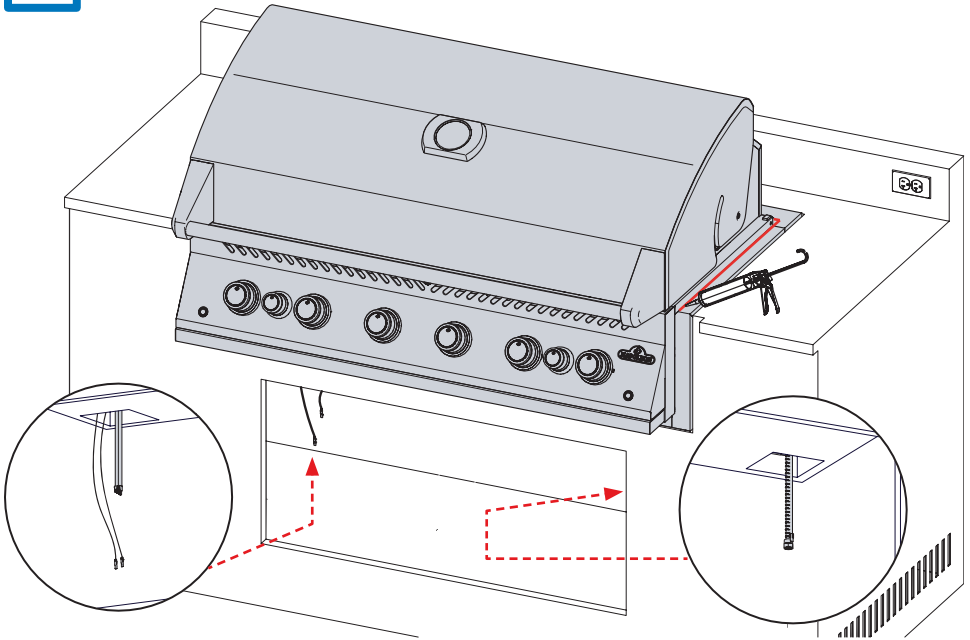
BI-1823-ZCL



1



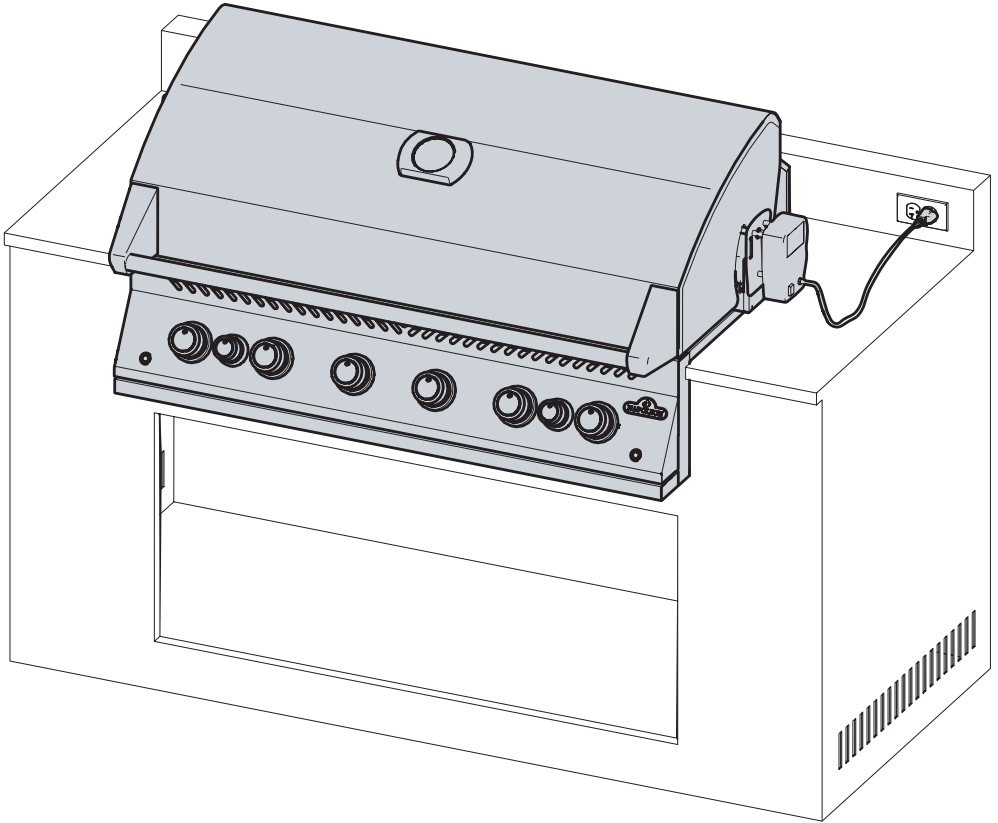
2



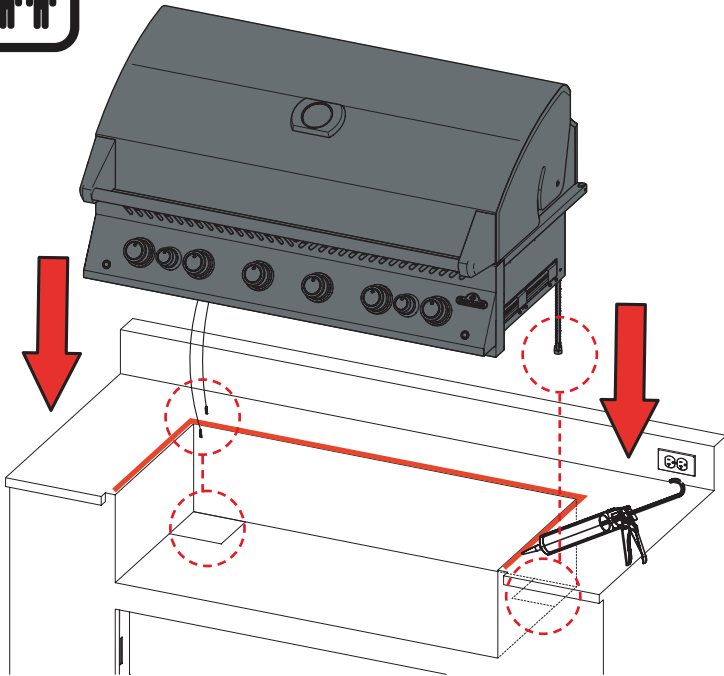
BIG 32-1

BIG 38-1

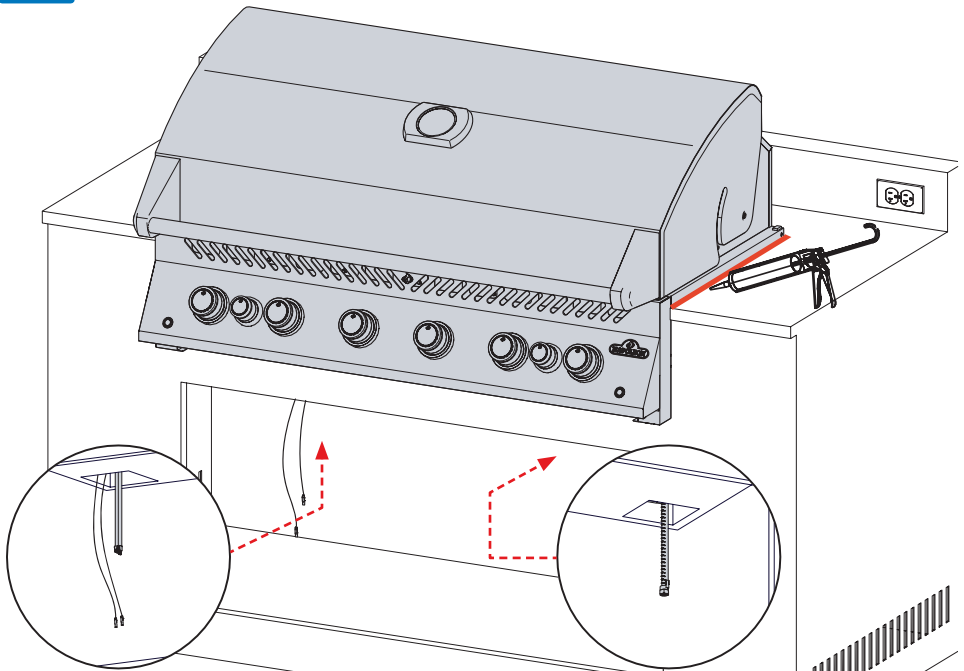
BIG 44-1



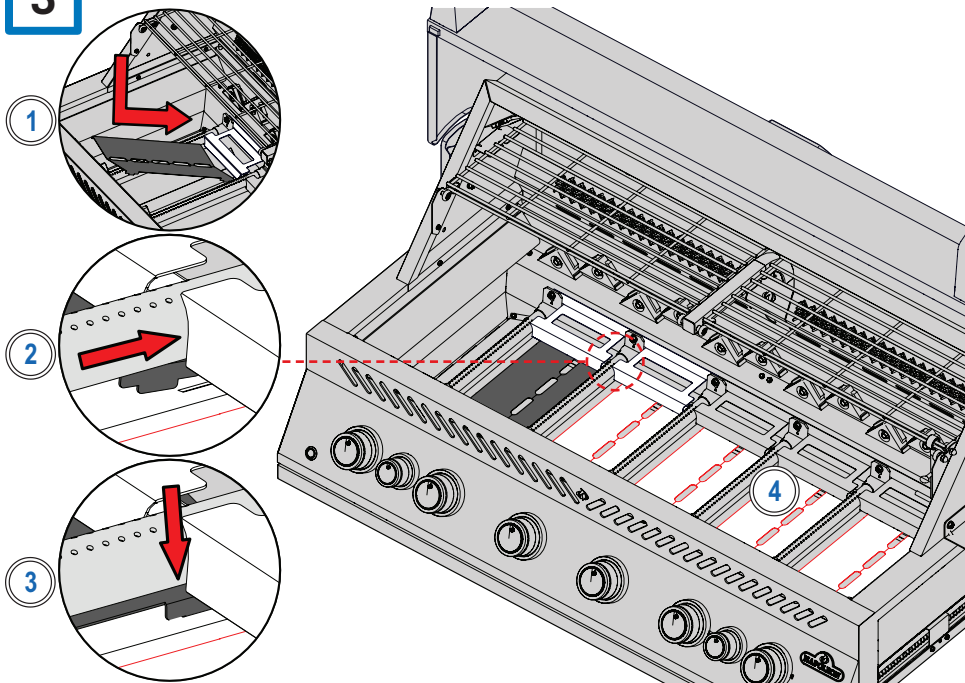
1



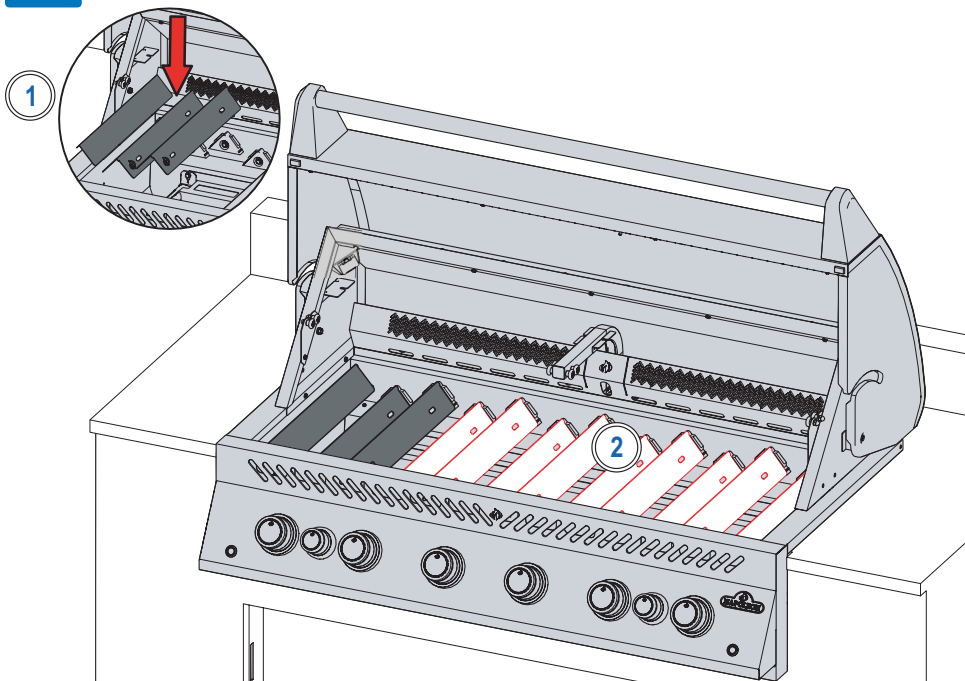
2



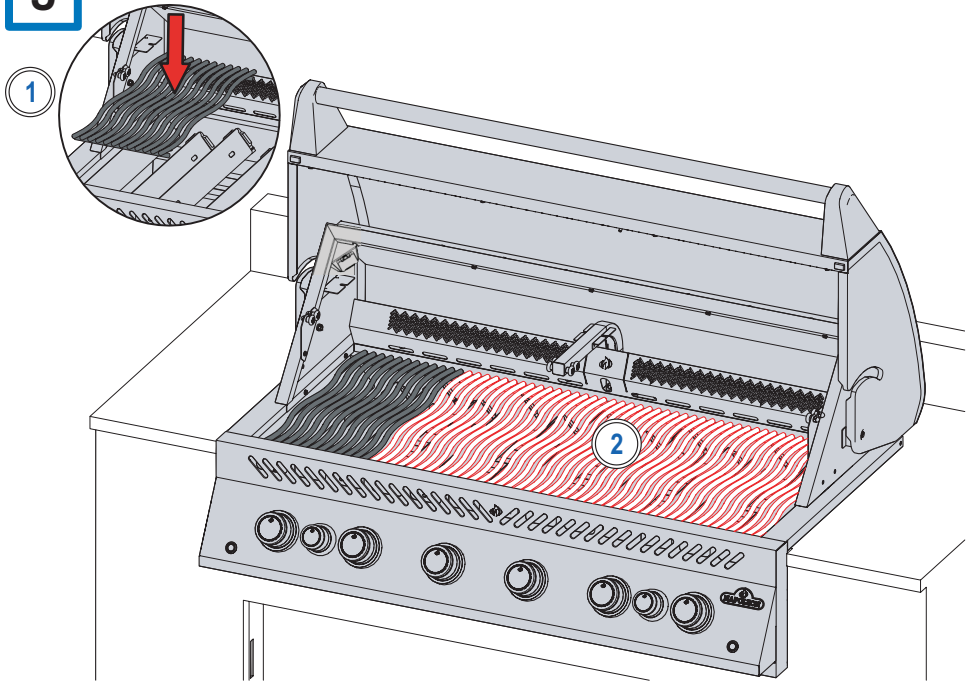
3



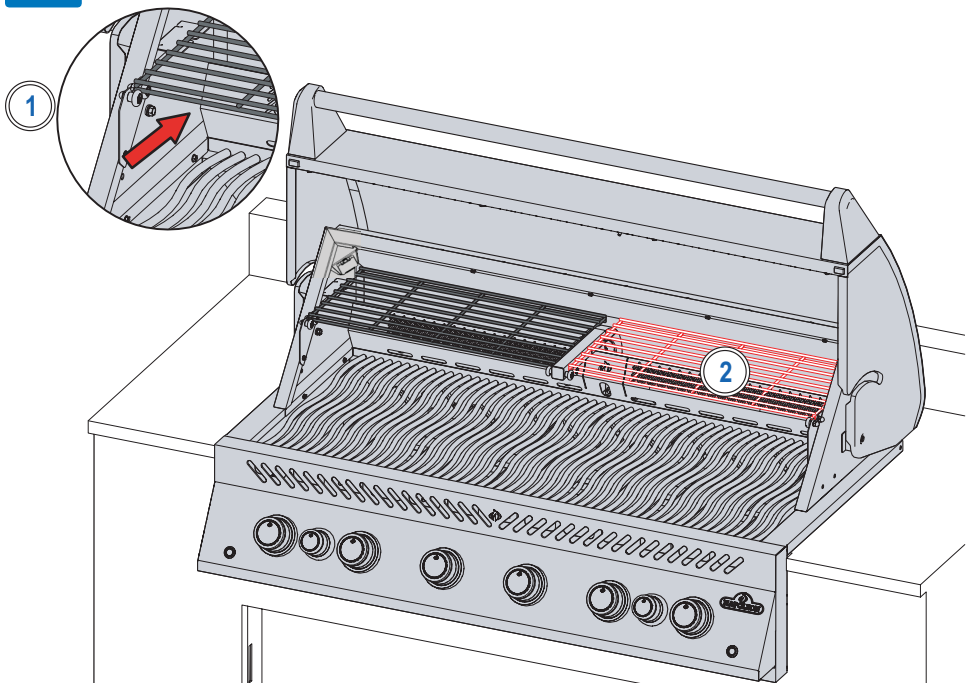
4



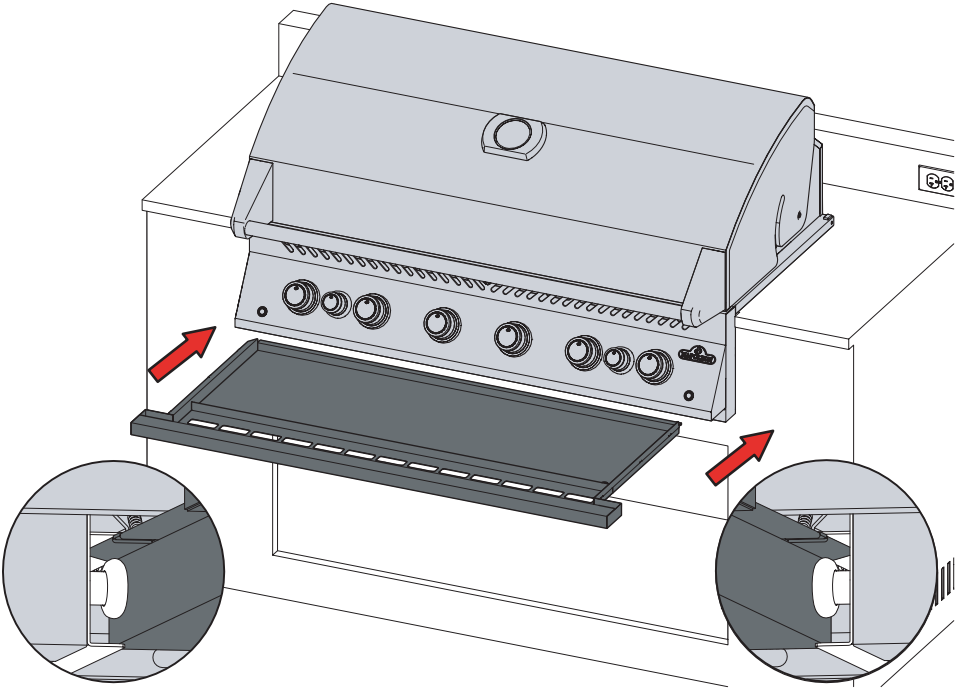
5



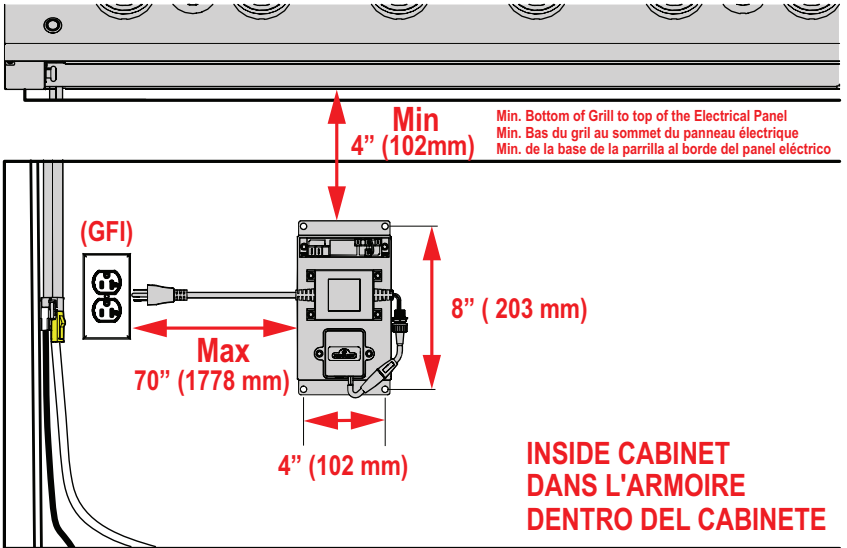
6



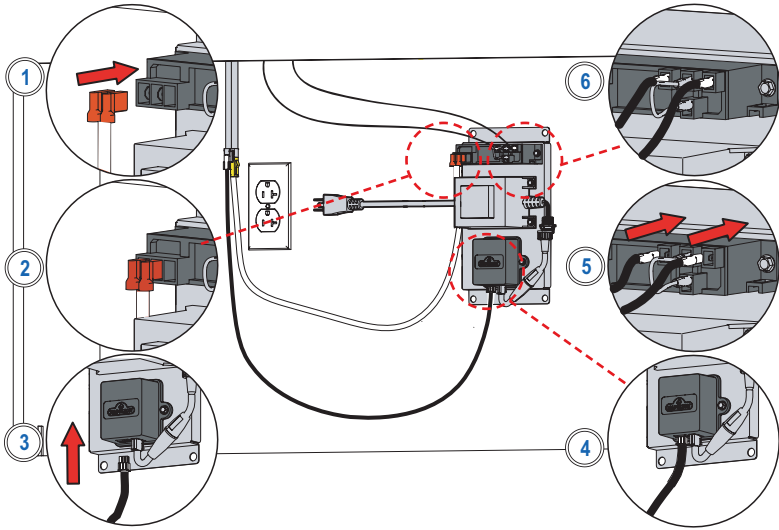
7



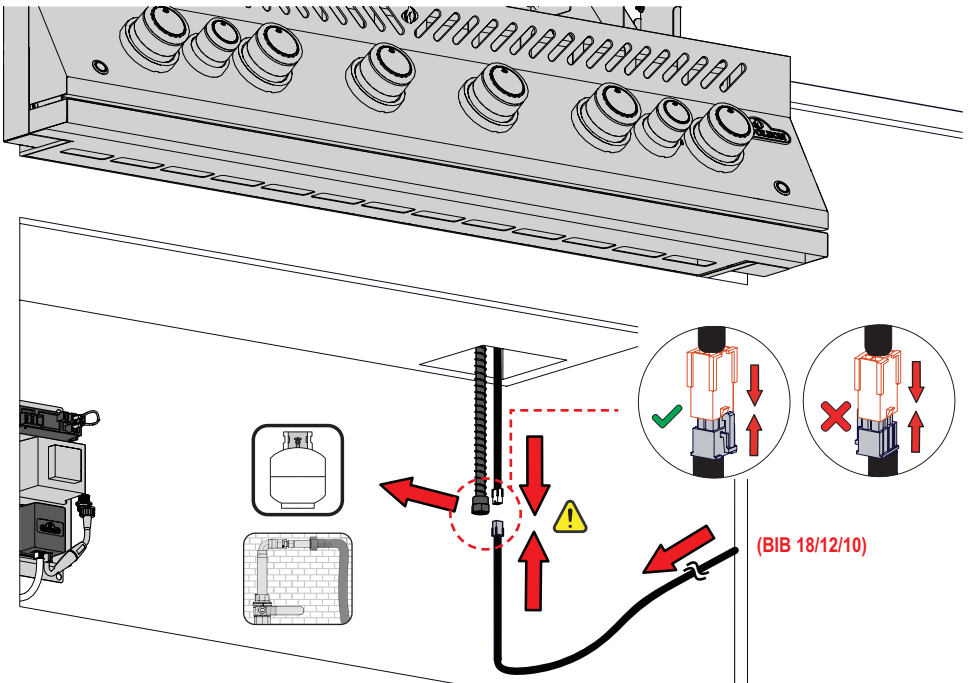
8

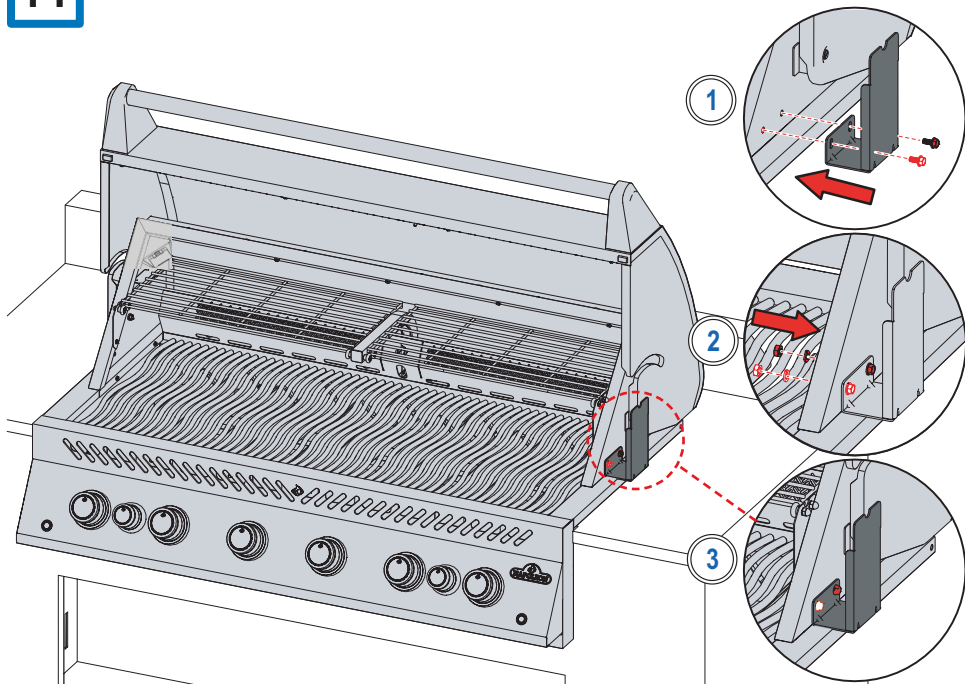


9

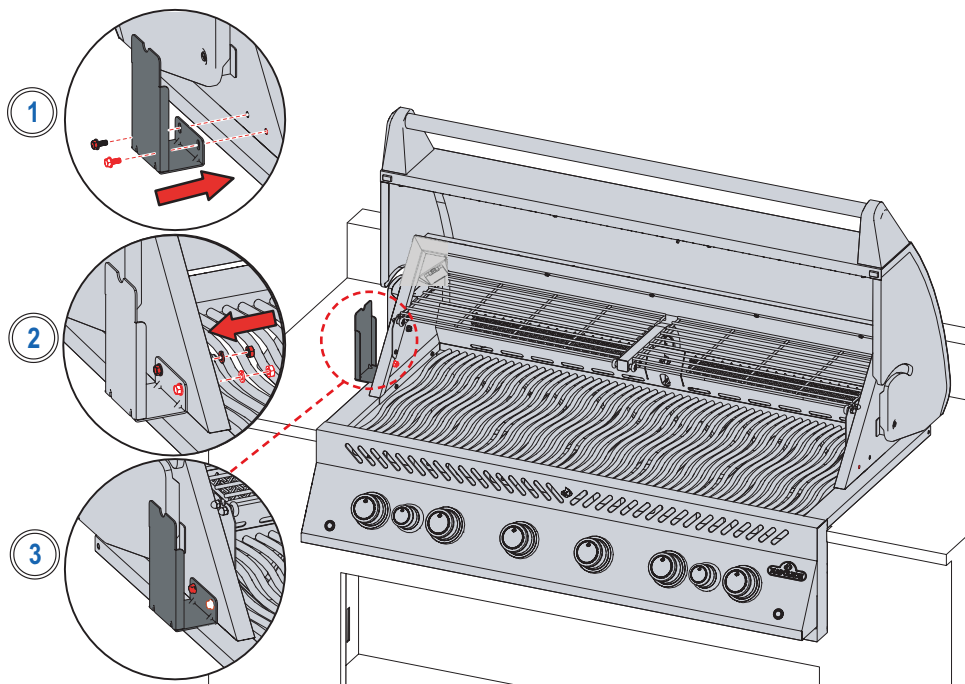


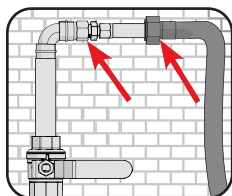
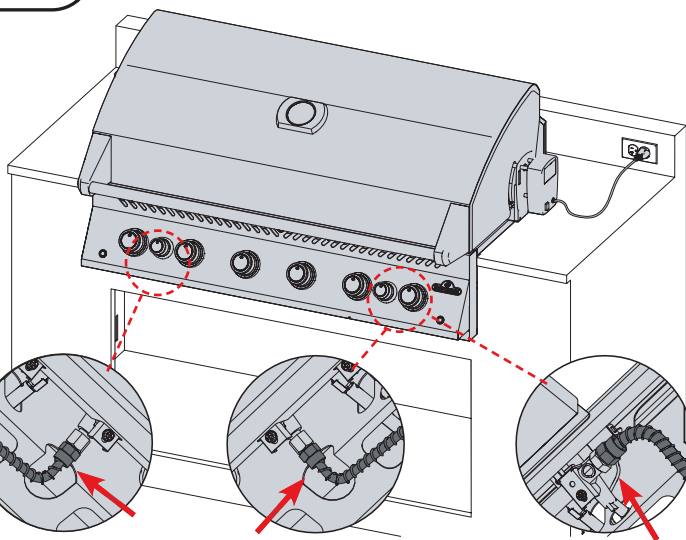
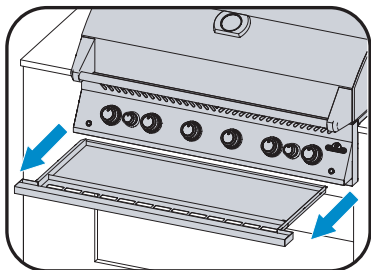
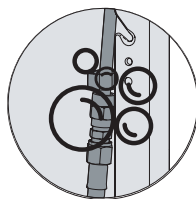
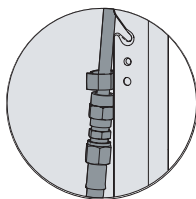
10





OR / OU / Ó



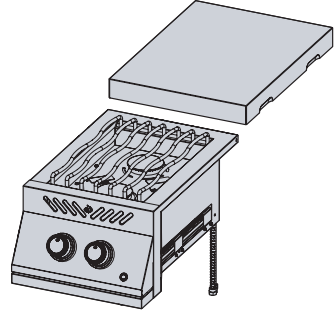
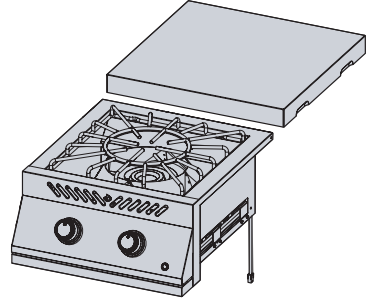
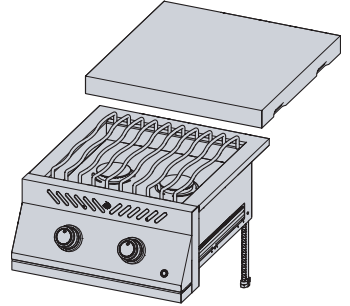
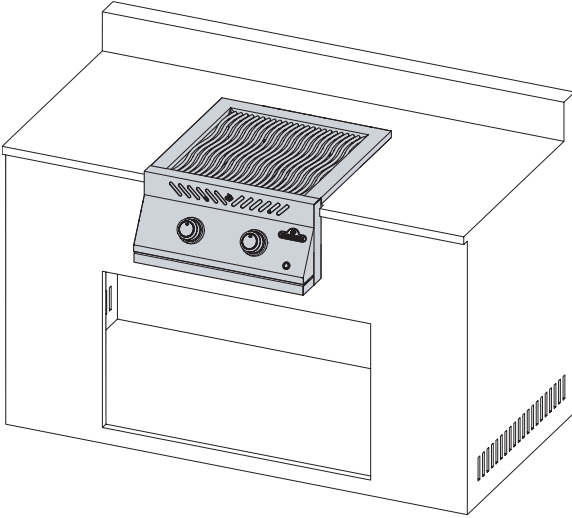


BIB12RT

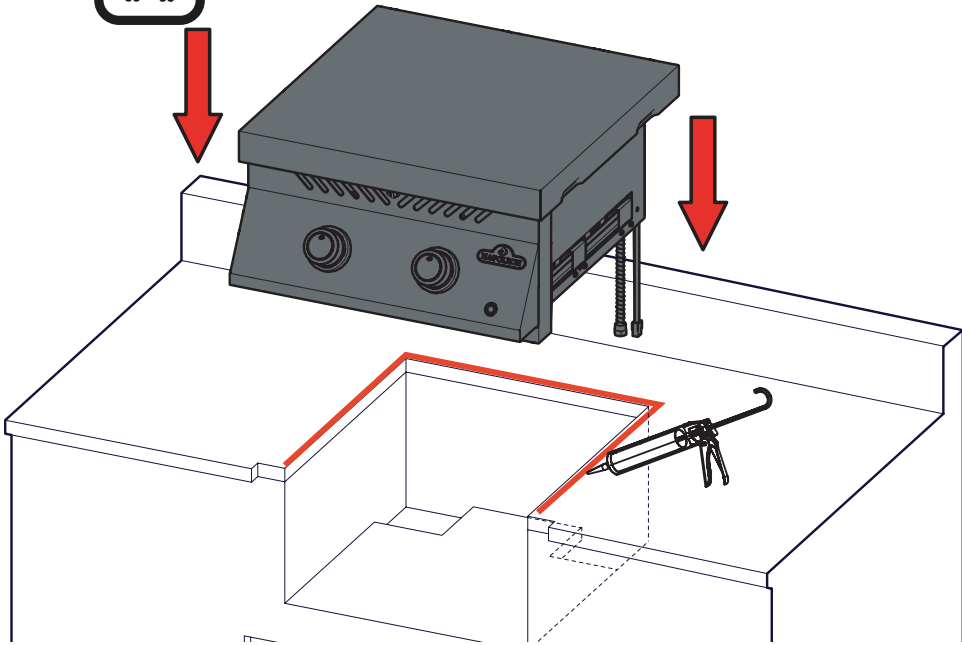
BIB18PB

BIB18IR

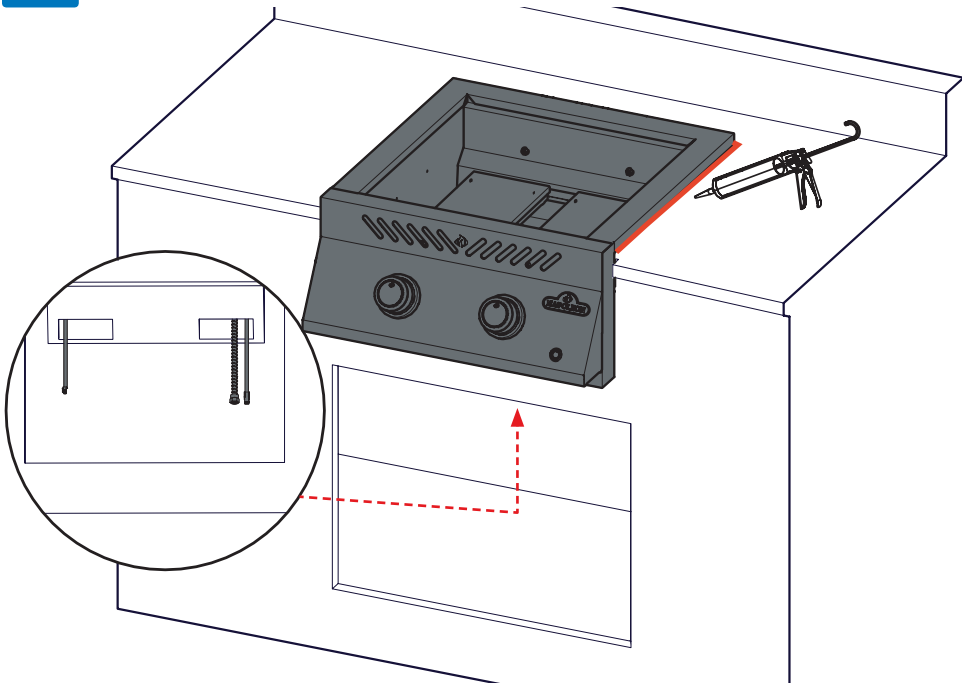
BIB18RT



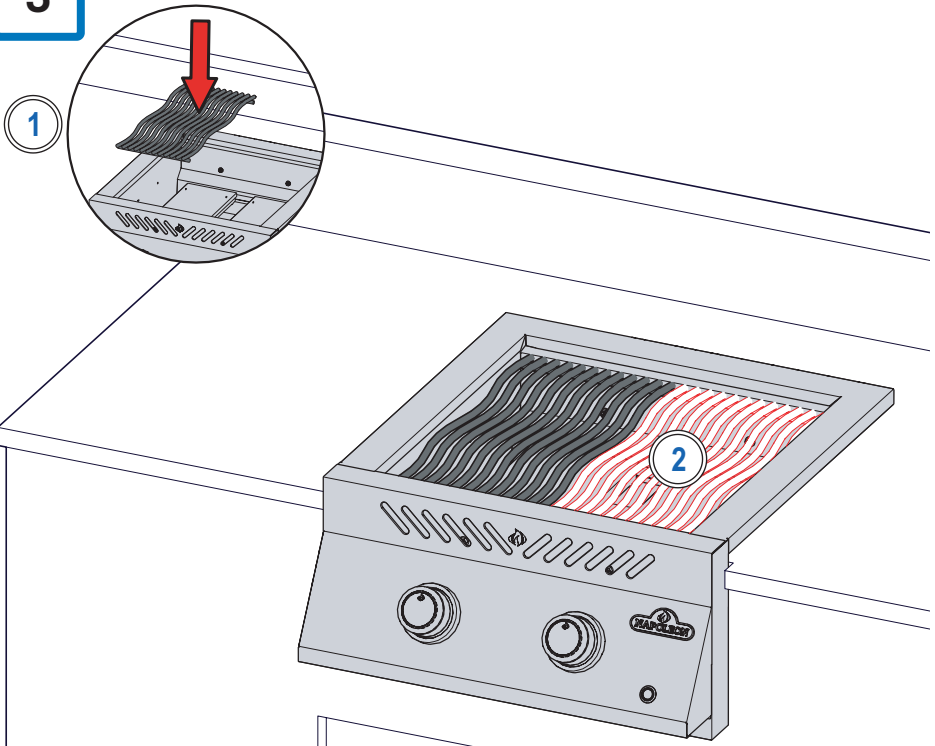
1



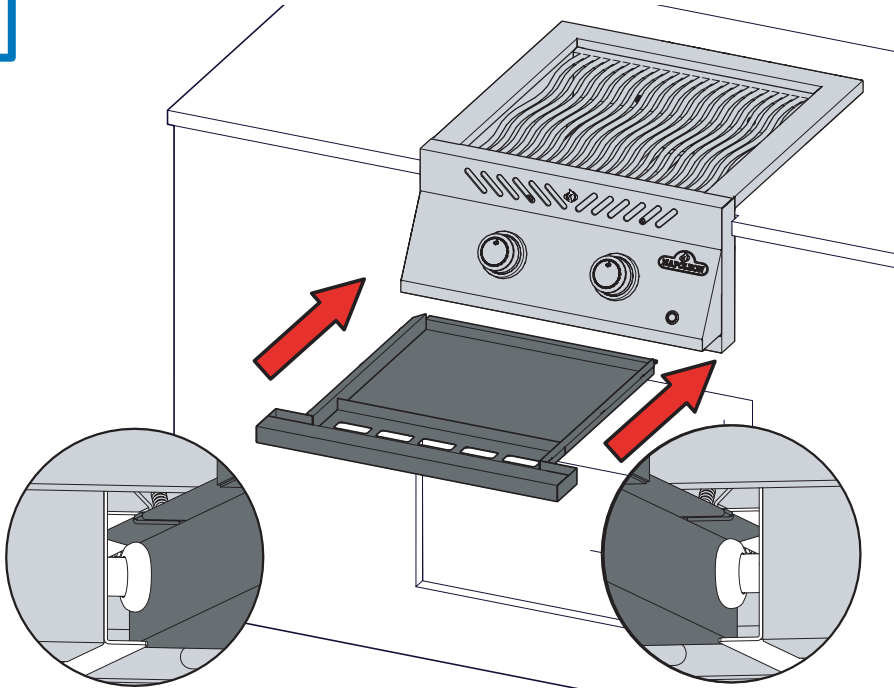
2



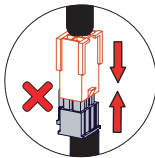
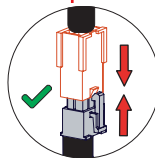
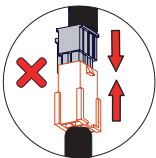
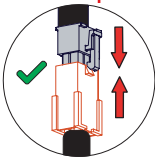
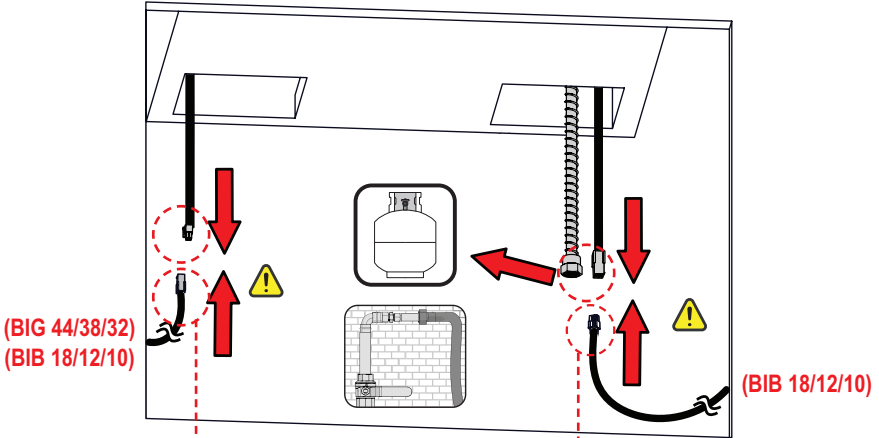
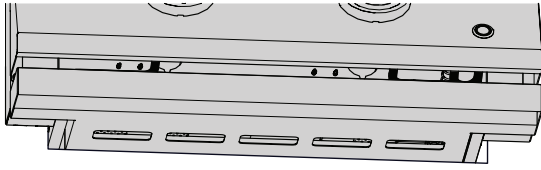
3



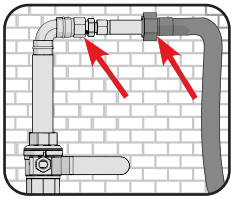
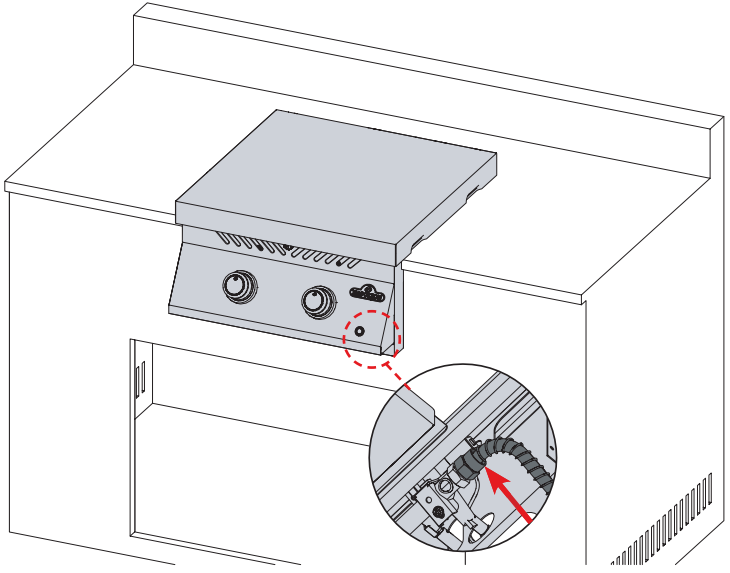
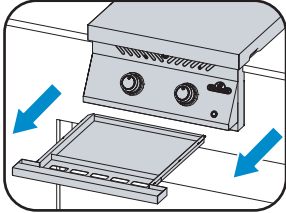
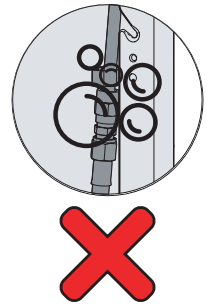
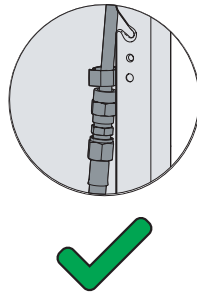
4



5

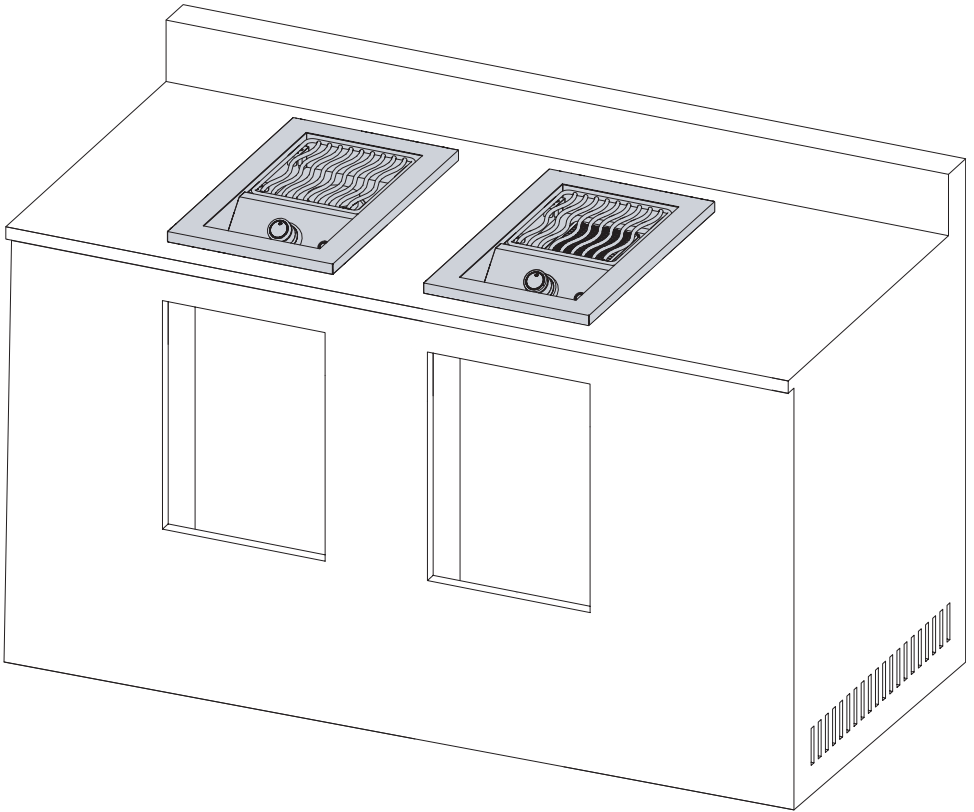


6

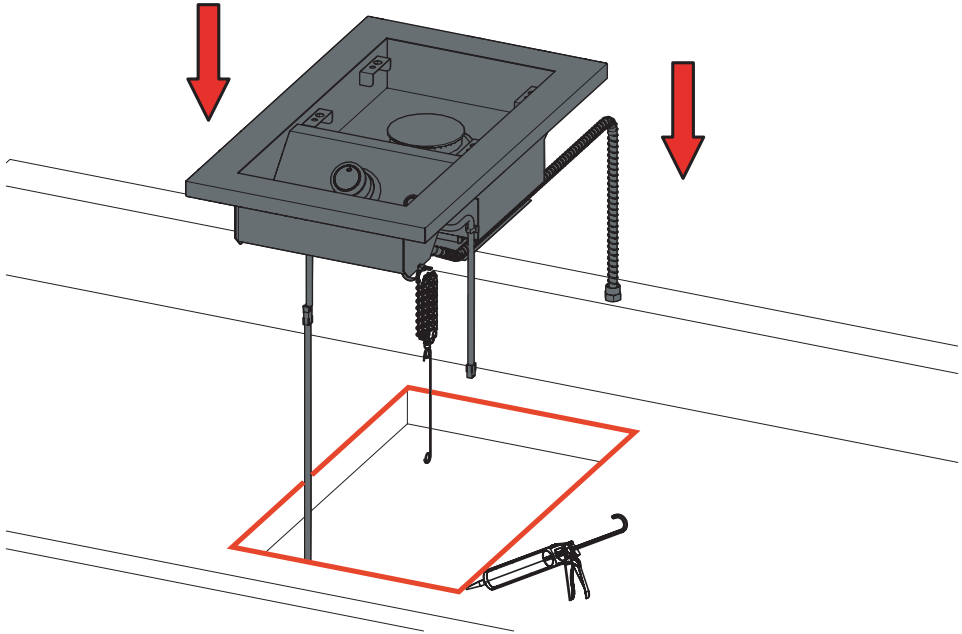


 BIB 10 RT

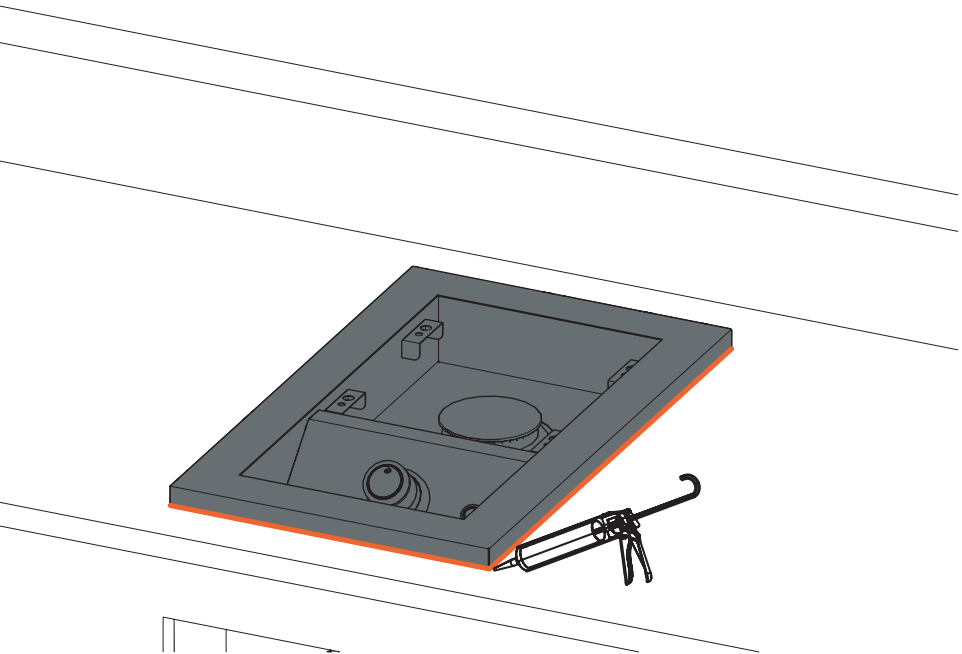
 BIB 10 IR



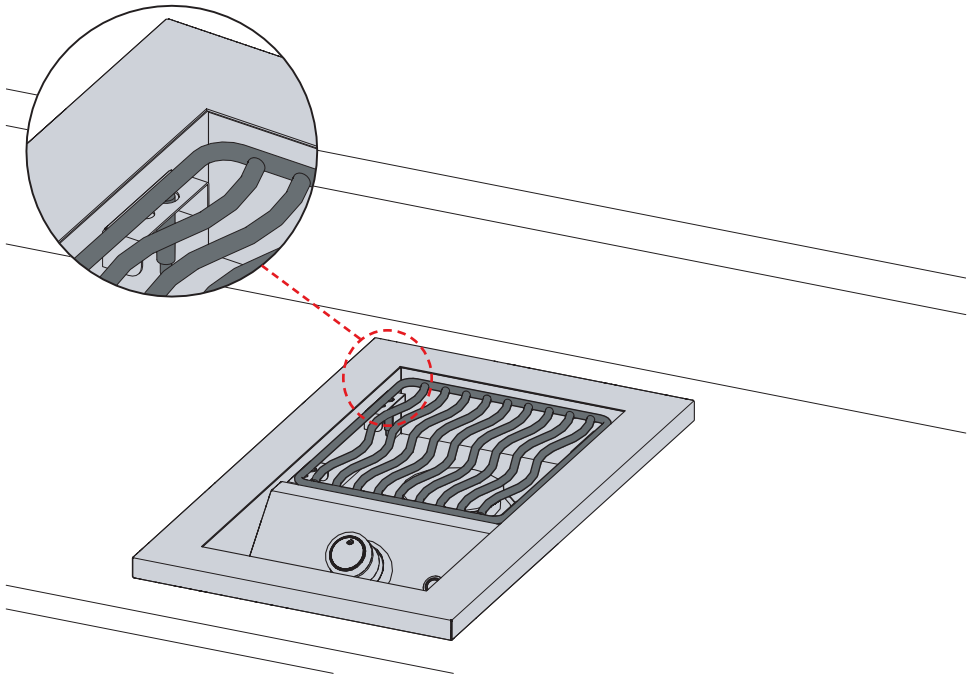
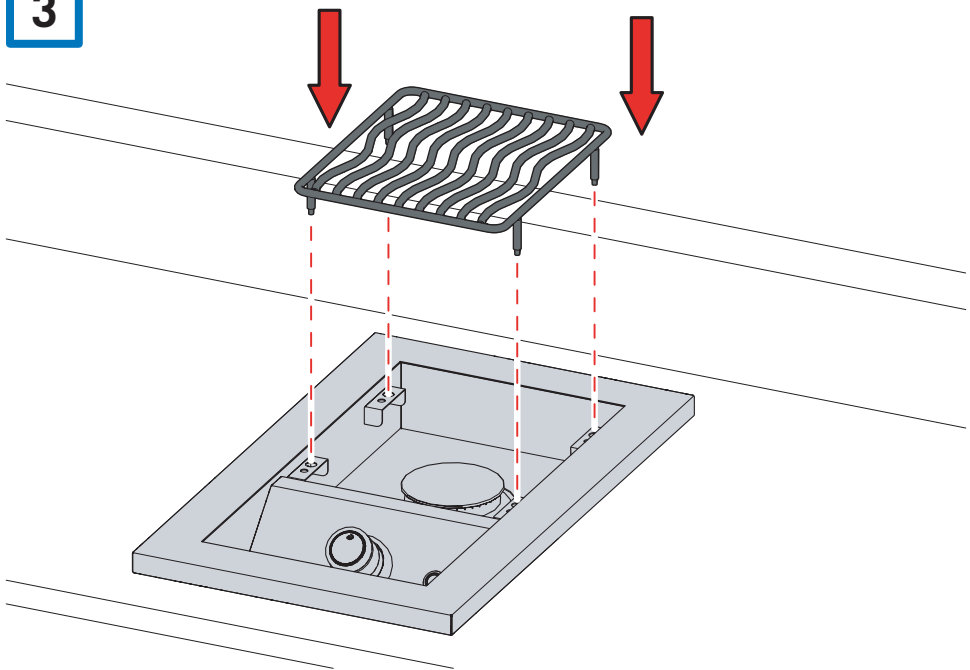
1



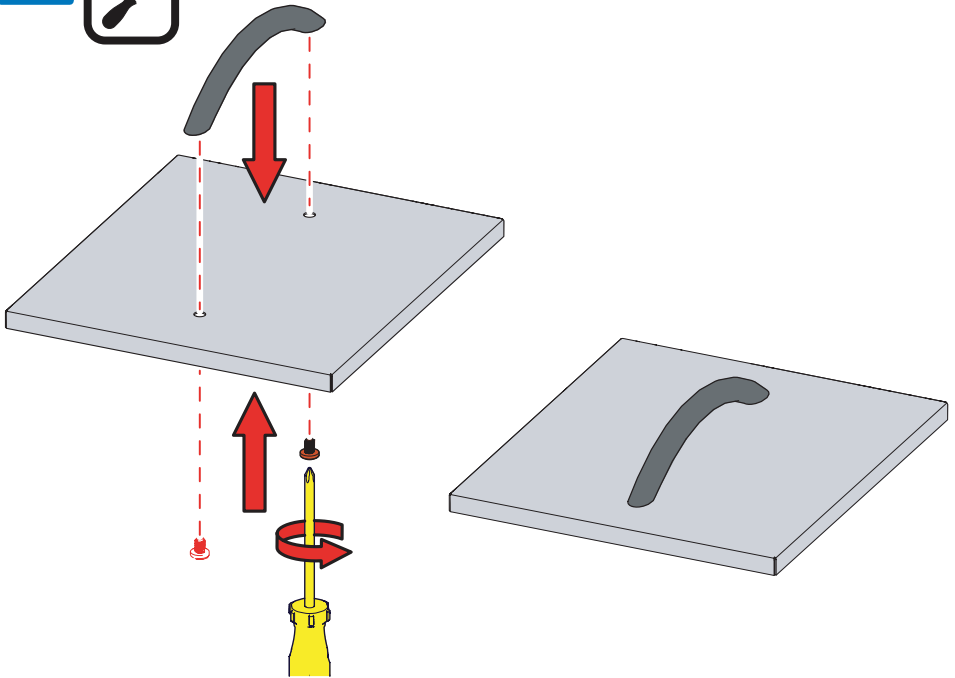
2



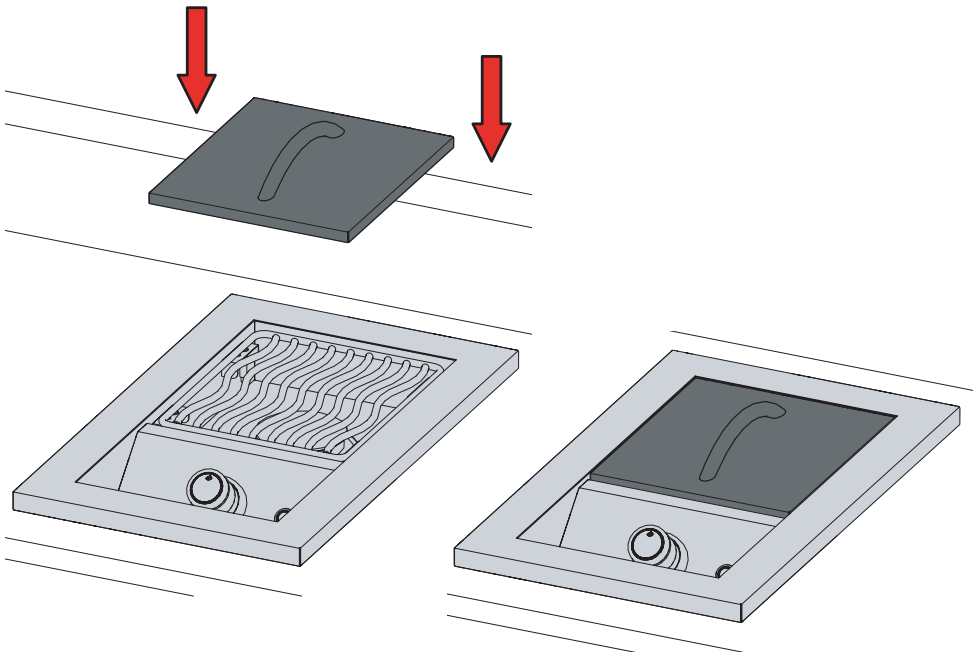
3



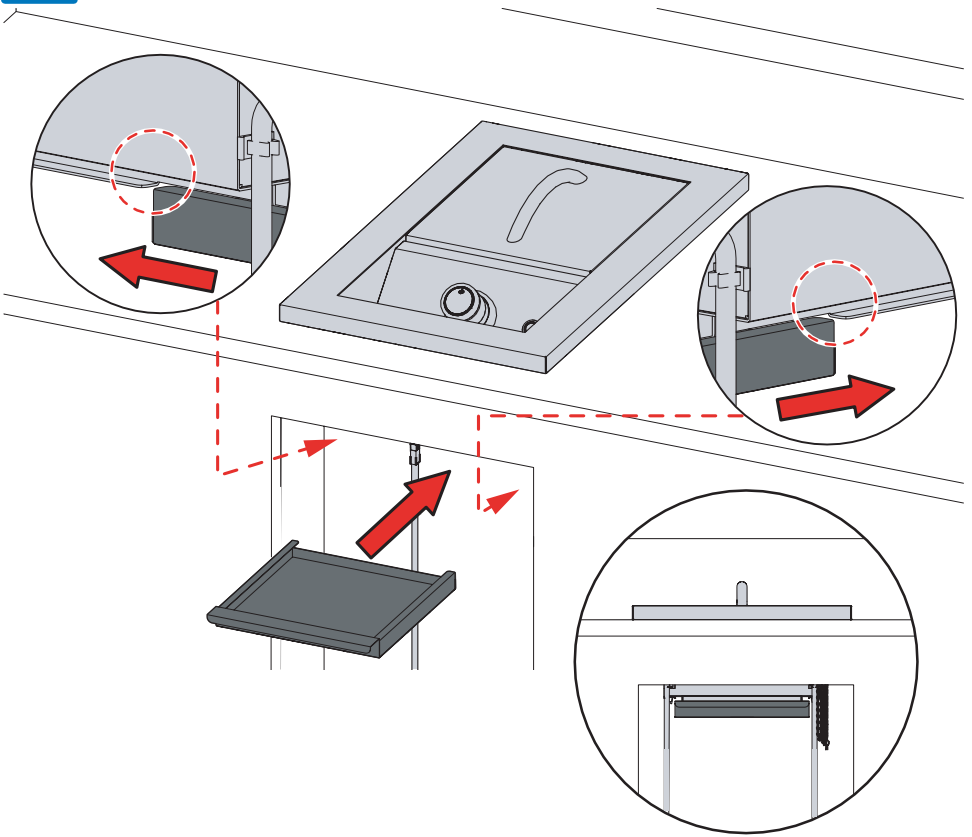
4



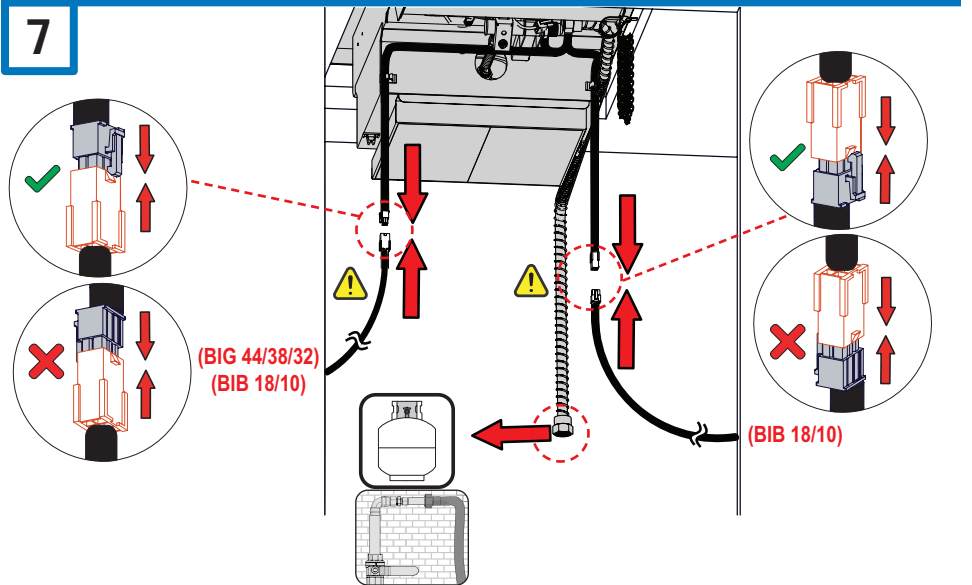
5



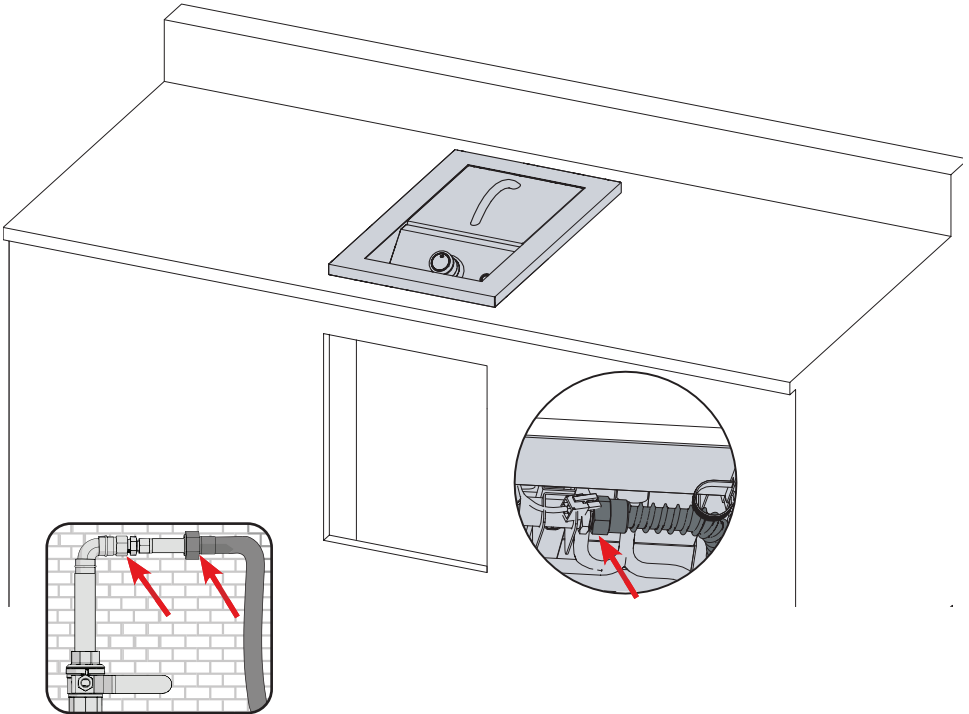
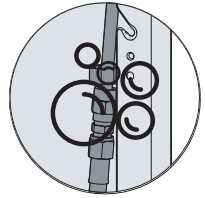
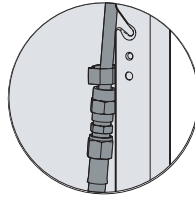
6



7



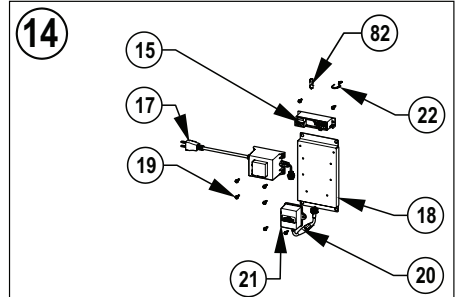
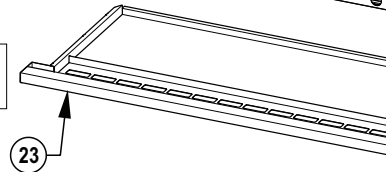
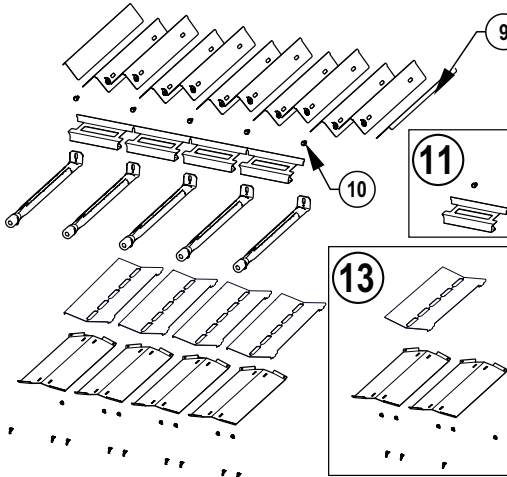
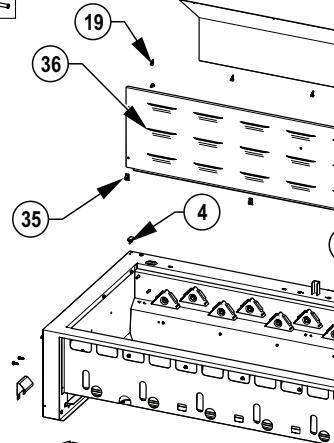
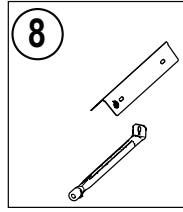
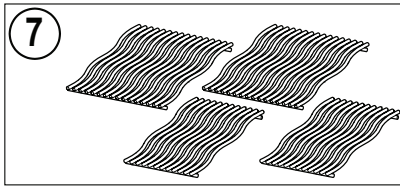
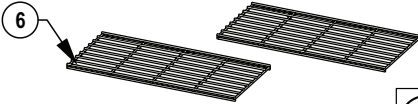
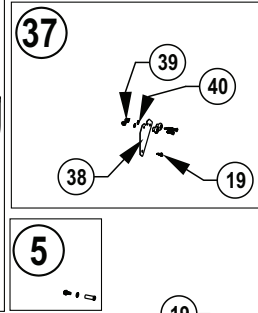
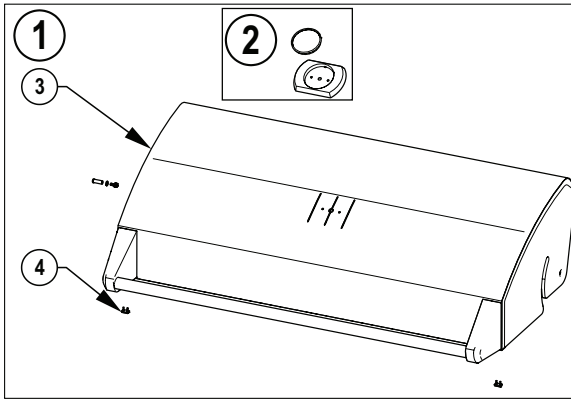
8

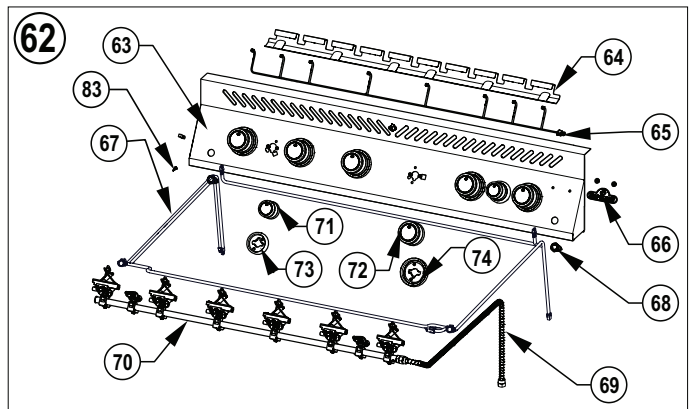
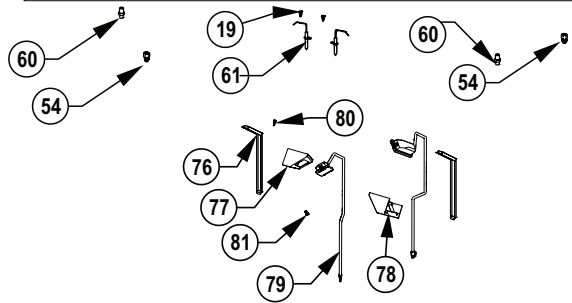
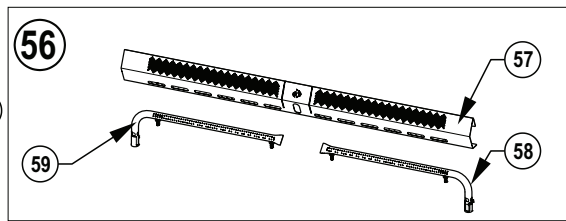
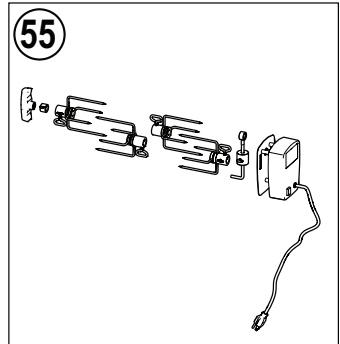
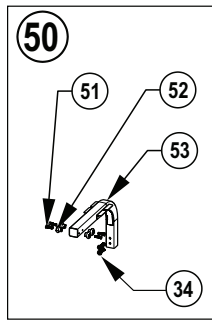
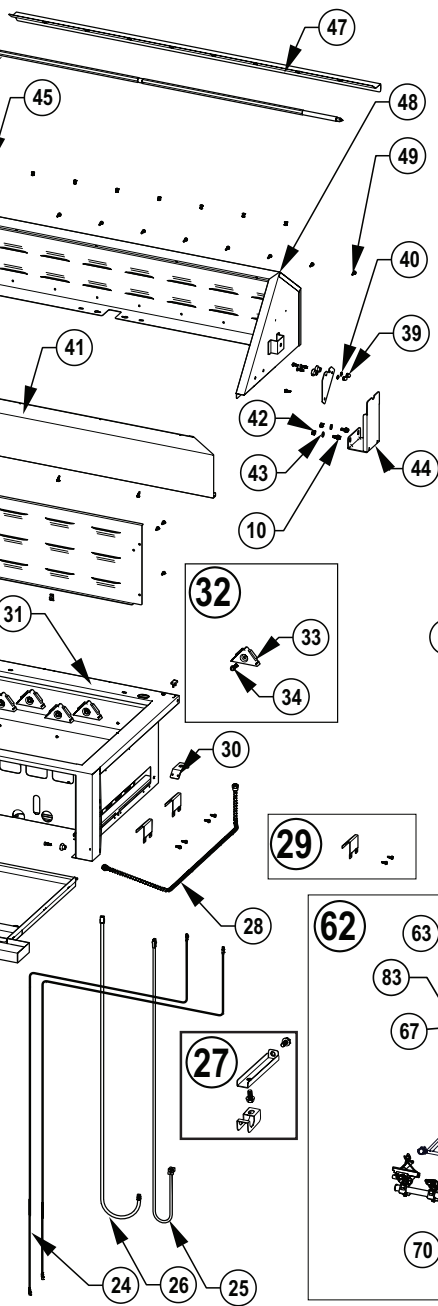


BIG 32-1

BIG 38-1

BIG 44-1





Parts List / Liste des pieces / Lista de partes

	Part # / Partie # / Parte #	BIG32-1	BIG38-1	BIG44-1
1	N010-1337	x		
	N010-1338		x	
	N010-1339			x
2	S91009	x	x	x
3	N010-1340	x		
	N010-1341		x	
	N010-1342			x
4	N510-0013	x	x	x
5	N370-1026-SER	x	x	x
6	N520-0052	x		
	N520-0053		x	
	N520-0054			x
7	S83028	x		
	S83029		x	
	S83030			x
8	S87019	x	x	x
9	N305-0119		x	x
	N305-0122	x		
10	N570-0038	x	x	x
11	S87018	x	x	x
12	N370-1021-SER	x	x	x
13	N370-1150-SER	x	x	x
14	N370-1149-SER	x	x	x
15	N357-0022	x	x	x
16	N750-0034	x	x	x
17	N707-0023	x	x	x
18	N475-0532	x	x	x
19	N450-0025	x	x	x
20	N750-0086	x	x	x
21	N190-0008	x	x	x
23	N010-1329	x		
	N010-1330		x	
	N010-1331			x
24	N750-0038	x	x	x
25	N750-0088	x	x	x
26	N750-0087	x	x	x
27	N010-1387-SER	x	x	x
28	N720-0084	x	x	
	N720-0082			x
29	N080-0462-SER	x	x	x
30	N080-0458	x	x	x
31	N010-1684-SER	x		
	N010-1685-SER		x	
	N010-1686-SER			x
32	N370-0822	x	x	x
33	N080-0405	x	x	x
34	N570-0087	x	x	x
35	N370-1027-SER	x	x	x
36	N035-0171	x		

	Part # / Partie # / Parte #	BIG32-1	BIG38-1	BIG44-1
	N035-0172		x	
	N035-0173			x
37	N370-1031-SER	x	x	x
38	N080-0459	x	x	x
39	N450-0052	x	x	x
40	N735-0010	x	x	x
41	N585-0153-BK2GL	x		
	N585-0154-BK2GL		x	
	N585-0155-BK2GL			x
42	N450-0008	x	x	x
43	N450-0025	x	x	x
44	N475-0509	x	x	x
46	N555-0098	x	x	
	N555-0099	x		
	N555-0100		x	
	N555-0101			x
	N555-0105			x
47	N215-0028	x		
	N215-0029		x	
	N215-0030			x
48	N010-1687-SER	x		
	N010-1688-SER		x	
	N010-1689-SER			x
50	N370-1022-SER			x
51	N570-0134	x	x	x
52	N045-0001	x	x	x
53	N010-1369			x
54	N255-0071	x	x	x
55	N370-1002	x	x	
	N370-1003			x
56	N370-1039-SER	x	x	
	N370-1040-SER			x
57	N350-0069	x	x	
	N350-0090			x
58	N100-0045	x	x	x
59	N100-0063			x
60	W456-0050	n	n	n
	N455-0055	p	p	p
61	N240-0034	x	x	x
62	N010-1690-SER	n		
	N010-1691-SER	p		
	N010-1692-SER		n	
	N010-1693-SER		p	
	N010-1694-SER			n
	N010-1695-SER			p
63	N475-0511	x		
	N475-0512		x	
	N475-0513			x
64	N160-0048	x	x	x

	Part # / Partie # / Parte #	BIG32-1	BIG38-1	BIG44-1
65	N750-0090	x		
	N750-0092		x	
	N750-0094			x
66	N385-0307-SER	x	x	x
67	N750-0112	x		
	N750-0113		x	
	N750-0114			x
68	N660-0005	x	x	x
69	N720-0094	x	x	x
70	N010-1343	p		
	N010-1344	n		
	N010-1345		p	
	N010-1346		n	
	N010-1347			p
	N010-1348			n
71	N380-0034-CL	x	x	x
72	N380-0035-CL	x	x	x
73	N010-1314	x	x	x
74	N010-1313	x	x	x

	Part # / Partie # / Parte #	BIG32-1	BIG38-1	BIG44-1
75	N240-0044			x
	BI-3623-ZCL	ac		
	BI-4223-ZCL		ac	
	BI-4823-ZCL			ac
	61830	ac		
	61836		ac	
	61842			ac
	69851			ac
76	N200-0154	x	x	x
77	N350-0100	x	x	x
78	N350-0101	x	x	x
79	N402-0017	x	x	x
80	N570-0008	x	x	x
81	N570-0022	x	x	x
82	N285-0001	x	x	x
83	N570-0146	x	x	x

Accessories Parts List / Liste des pièces accessoires / Lista de piezas de accesorios

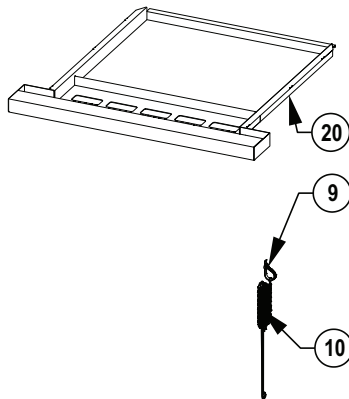
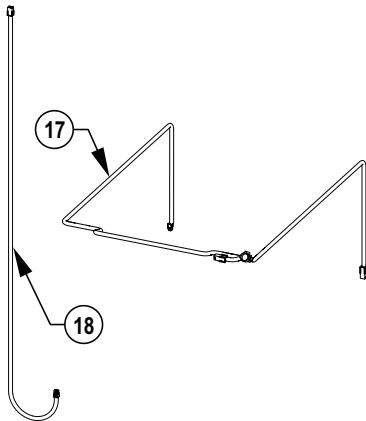
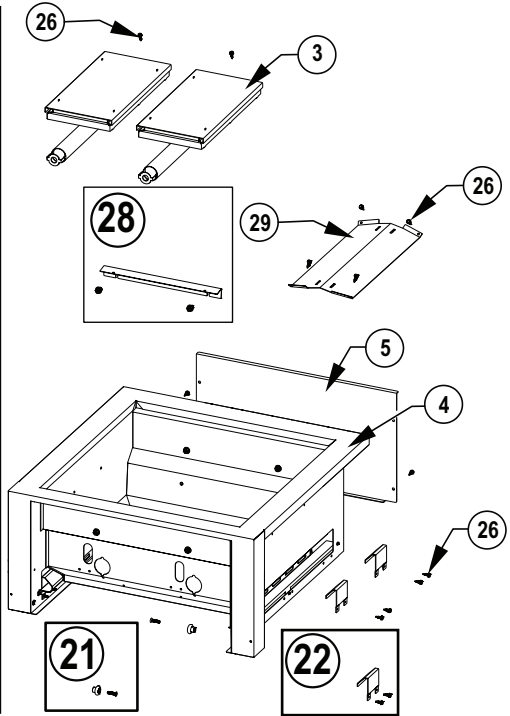
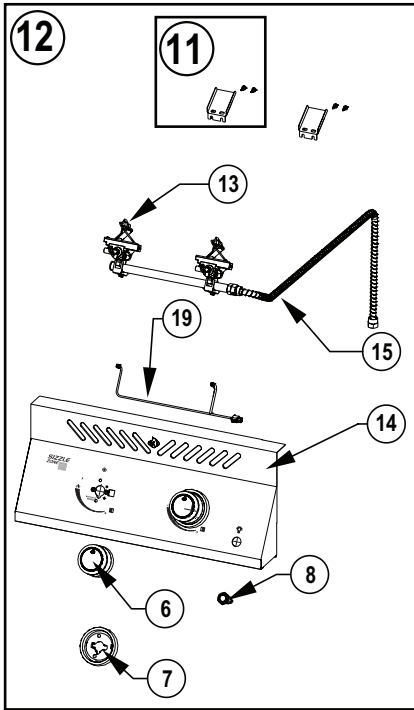
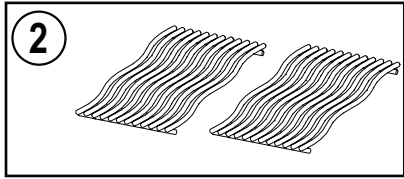
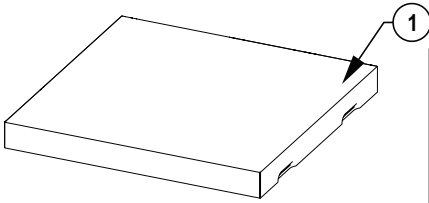
	Description La Description Descripción	BIG32-1	BIG38-1	BIG44-1
BI-3623-ZCL	Zero Clearance Liner	ac		
BI-4223-ZCL	Zero Clearance Liner		ac	
BI-4823-ZCL	Zero Clearance Liner			ac
61830	Cover	ac		
61836	Cover		ac	
61842	Cover			ac
69851	Rotisserie Kit			ac

x- standard part
p- propane
n- natural
ac- accessory

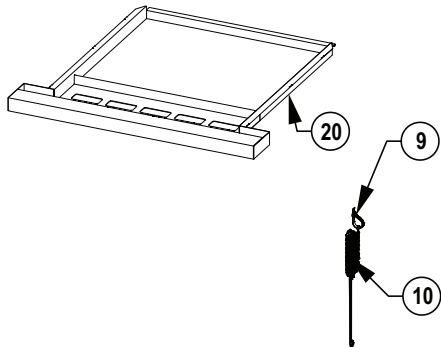
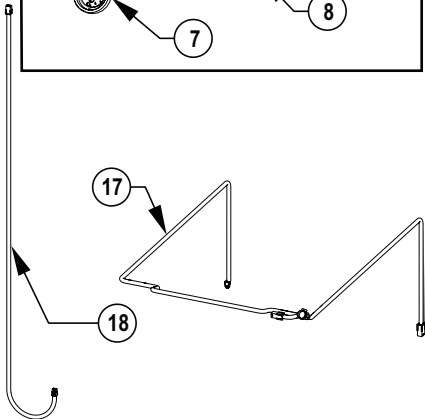
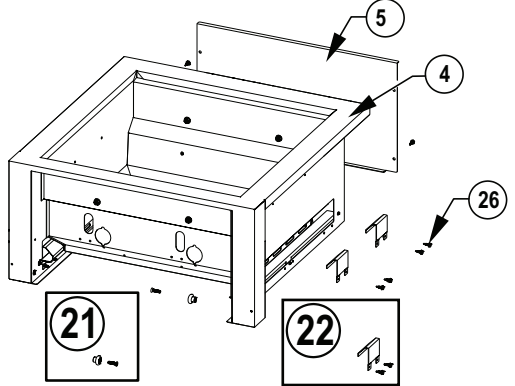
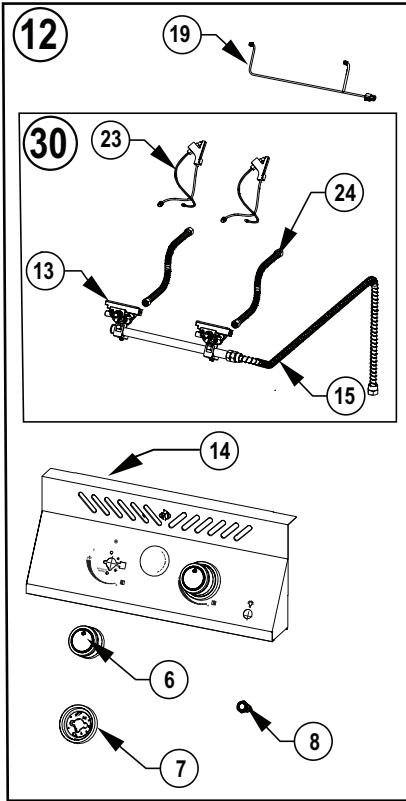
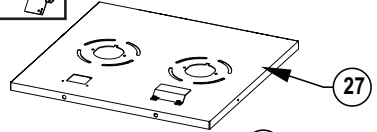
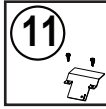
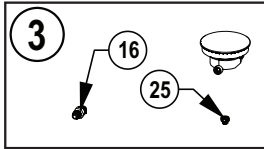
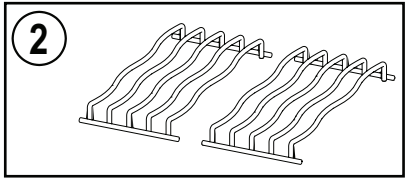
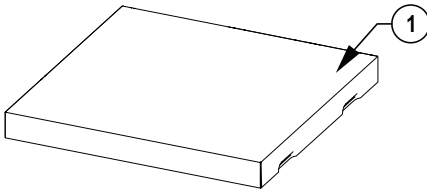
x- standard
p- propane
n- gaz naturel
ac- accessoire

x- standard
p- propano
n- gas natural
ac- accesorio

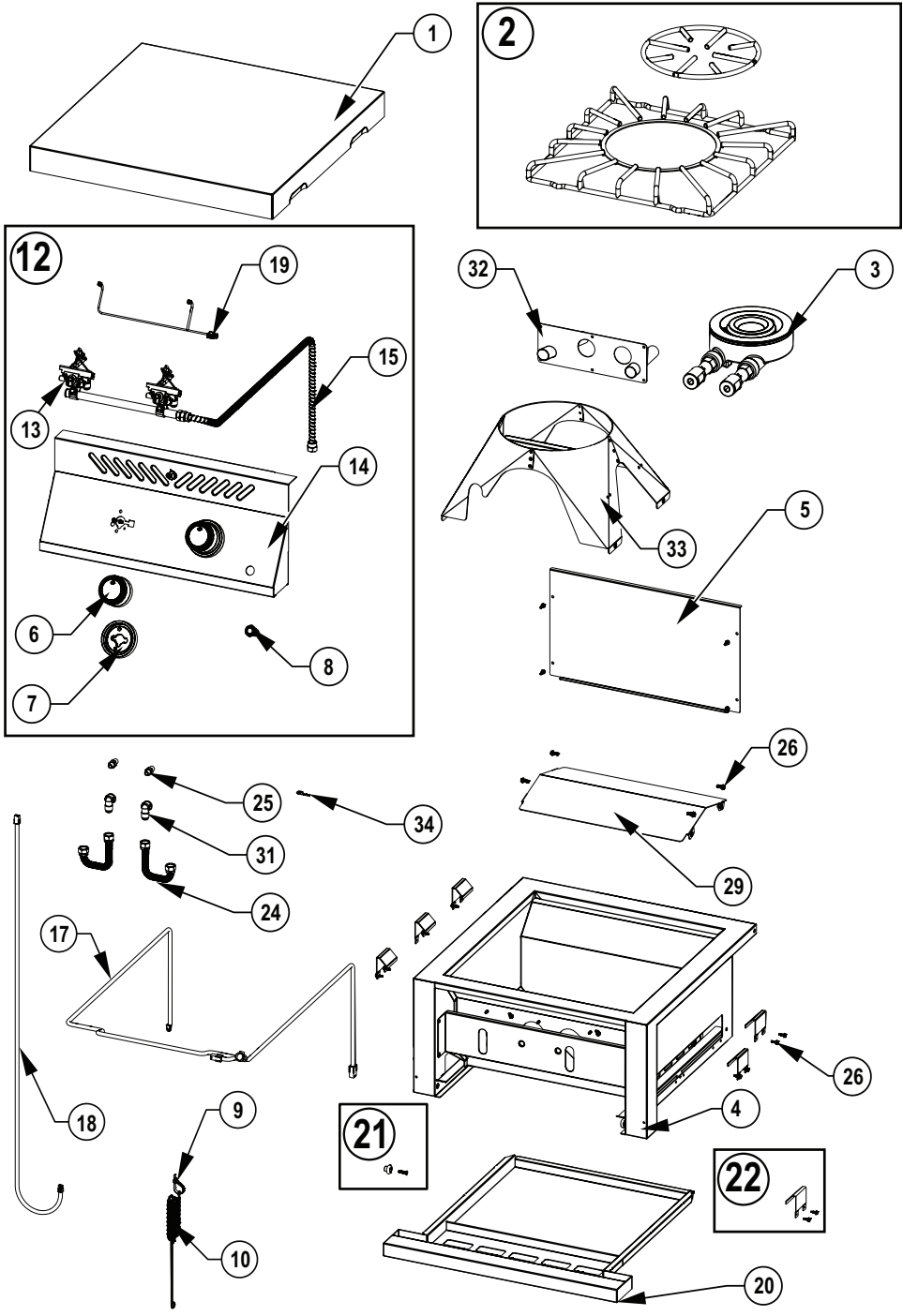
BIB 18 IR



BIB 18 RT



BIB 18 PB



Parts List / Liste des pieces / Lista de partes

	Part # / Partie # / Parte #	BIB18IR	BIB18RT	BIB18PB
1	N335-0137	x	x	x
2	S83033	x		
	S83032		x	
	S83034			x
3	N010-0897	x		
	S81010		n	
	S81011		p	
	N100-0064			x
4	N010-1323	x		
	N010-1396		x	
	N010-1320			x
5	N035-0165	x	x	x
6	N380-0035-CL	x	x	x
7	N010-1313	x	x	x
8	N660-0005	x	x	x
9	N640-0006	x	x	x
10	N555-0097	x	x	x
11	N080-0450-SER	x		
	N080-0451-SER		x	
12	N010-1391-SER		n	
	N010-1392-SER		p	
	N010-1393-SER	n		
	N010-1394-SER	p		
	N010-1481-SER			n
	N010-1482-SER			p
13	N010-1352		n	
	N010-1351		p	
	N010-1350	n		
	N010-1349	p		
	N010-1446			n
	N010-1447			p
14	N475-0514	x		
	N475-0510		x	
	N475-0516			x

	Part # / Partie # / Parte #	BIB18IR	BIB18RT	BIB18PB
15	N720-0070	x	x	x
16	N255-0069		x	
17	N750-0095	x	x	x
18	N750-0087	x	x	x
19	N750-0096	x	x	x
20	N010-1332	x	x	x
21	N370-1021-SER	x	x	x
22	N080-0462-SER	x	x	x
23	N357-0025		p	
	N357-0026		n	
24	N720-0083		x	
	N720-0086			x
25	N455-0108		n	
	N455-0107		p	
	N455-0117			n
	N455-0118			n
	N455-0119			p
	N455-0120			p
26	N570-0008	x	x	x
27	N035-0156		x	
28	N655-0214-SER	x		
29	N585-0162	x		
	N585-0161			x
30	N370-1028-SER		n	
	N370-1029-SER		p	
31	W255-0004			x
32	N010-1448			x
33	N010-1333			x

Accessories Parts List / Liste des pièces accessoires / Lista de piezas de accesorios

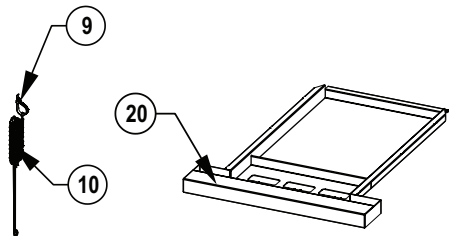
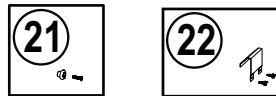
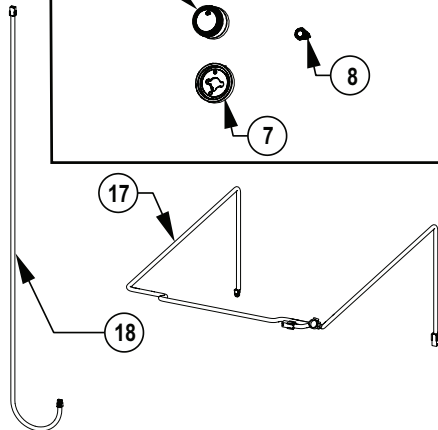
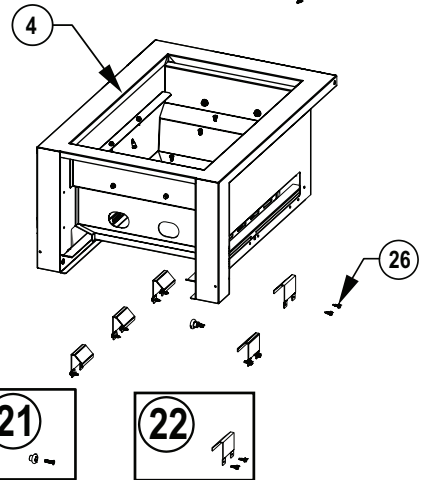
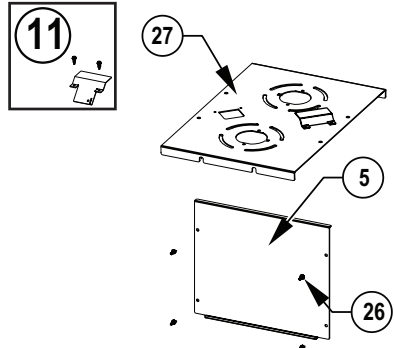
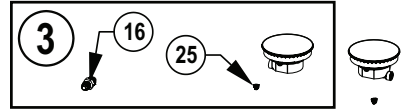
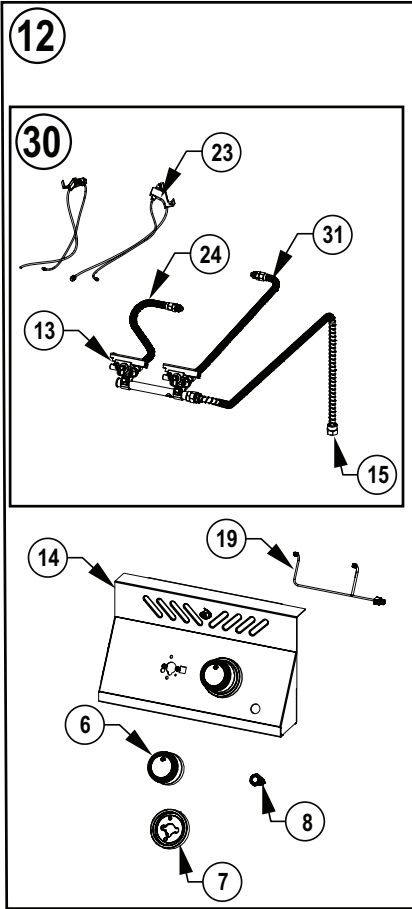
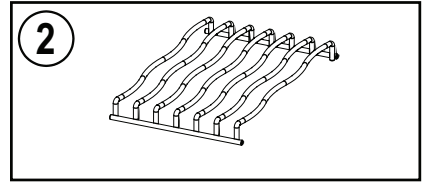
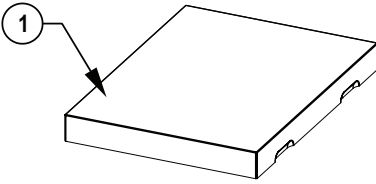
	Description La Description Descripción	BIB18IR	BIB18RT	BIB18PB
N370-1091-SER	Power Kit	ac	ac	ac
BI-2423-ZCL	Zero Clearance Liner	ac	ac	ac

x- standard part
p- propane
n- natural
ac- accessory

x- standard
p- propane
n- gaz naturel
ac- accessoire

x- standard
p- propano
n- gas natural
ac- accesorio

BIB 12RT



Parts List / Liste des pieces / Lista de partes

	Part # / Partie # / Parte #	BIB12RT
1	N335-0145	x
2	S83035	x
3	S81010	n
	S81011	p
4	N010-1449	x
5	N035-0179	x
6	N380-0035-CL	x
7	N010-1313	x
8	N660-0005	x
9	N640-0006	x
10	N555-0097	x
11	N080-0451-SER	x
12	N010-1483-SER	n
	N010-1484-SER	p
13	N010-1451	n
	N010-1452	p
14	N475-0573	x
15	N720-0070	x
16	N255-0069	x
17	N750-0104	x
18	N750-0087	x
19	N750-0105	x
20	N010-1453	x
21	N370-1021-SER	x
22	N080-0462-SER	x
23	N357-0028	n
	N357-0029	p
24	N720-0083	x
25	N455-0108	n
	N455-0107	p
26	N570-0008	x
27	N035-0180	x
30	N370-1065-SER	n
	N370-1066-SER	p

Accessories Parts List / Liste des pièces accessoires / Lista de piezas de accesorios

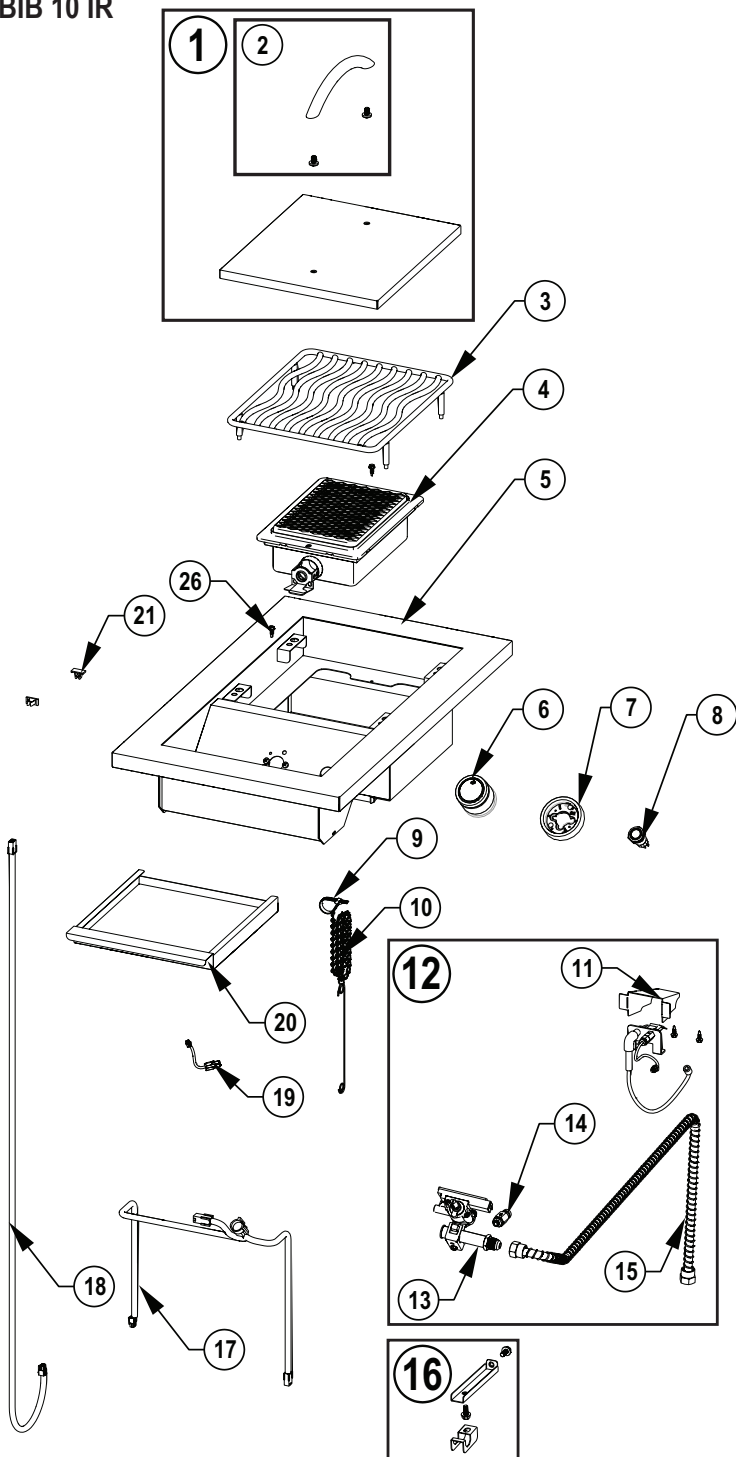
	Description La Description Descripción	BIB12RT
N370-1091-SER	Power Kit	ac
BI-1823-ZCL	Zero Clearance Liner	ac

x- standard part
p- propane
n- natural
ac- accessory

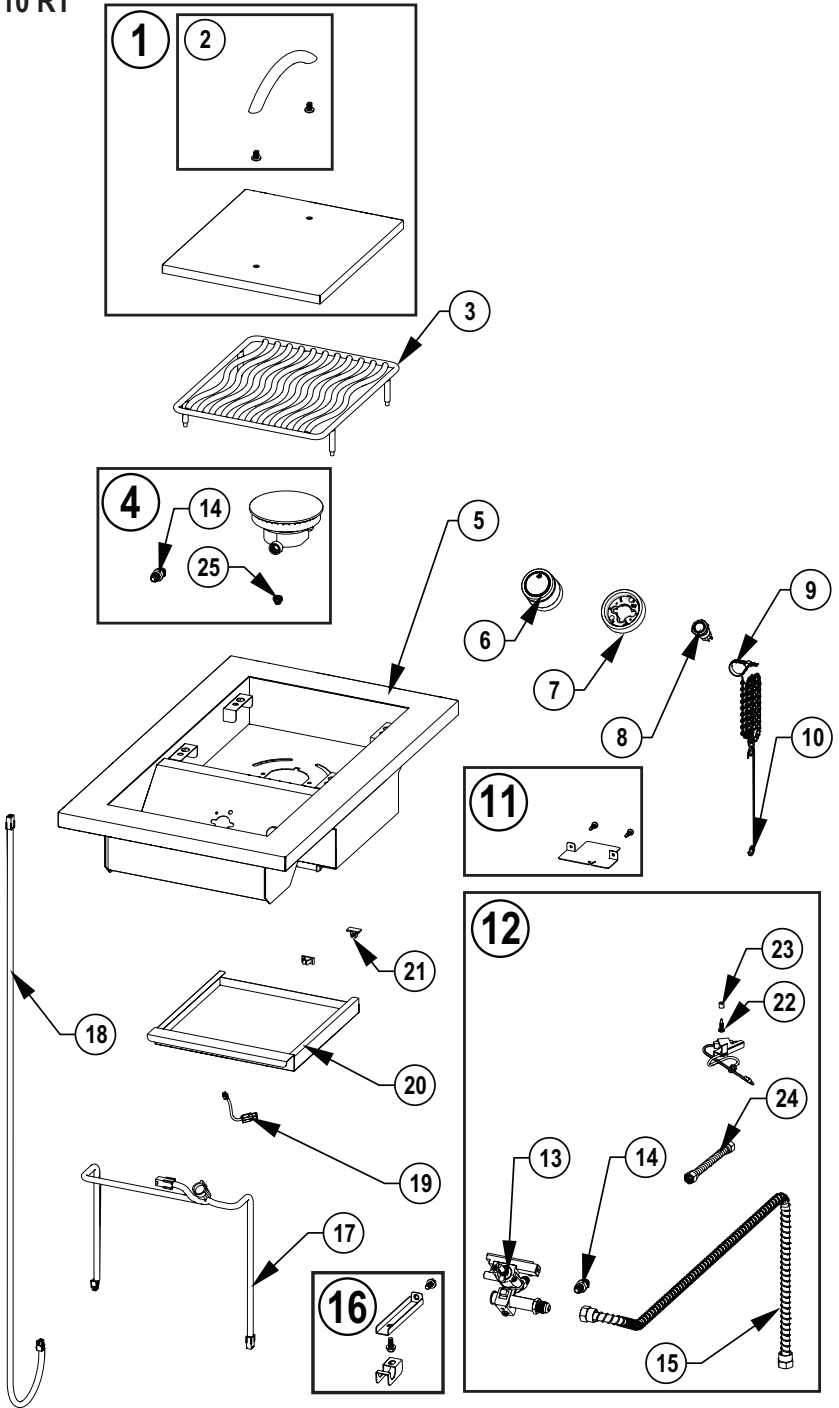
x- standard
p- propane
n- gaz naturel
ac- accessoire

x- standard
p- propano
n- gas natural
ac- accesorio

BIB 10 IR



BIB 10 RT



	Part # / Partie # / Parte #	BIB10IR	BIB10RT
1	N010-1380	x	x
2	N325-0049-SER	x	x
3	S83031	x	x
4	S81004	x	
	S81008		n
	S81009		p
5	N010-1322	x	x
6	N380-0034-CL	x	x
7	N010-1314	x	x
8	N660-0005	x	x
9	N640-0006	x	x
10	N555-0097	x	x
11	N215-0025	x	
	N080-0454-SER		x
12	N370-1032-SER		n
	N370-1033-SER		p
	N370-1034-SER	n	
	N370-1035-SER	p	
13	N010-1356		n
	N010-1355		p
	N010-1354	n	
	N010-1353	p	
14	N255-0069		x
	N455-0115	n	
	N455-0116	p	
15	N720-0070	x	x
16	N010-1387-SER	x	x
17	N750-0099	x	x
18	N750-0087	x	x
19	N750-0100	x	x
20	N710-0130	x	x
21	N370-1027-SER	x	x
22	N570-0013		x
23	W615-0043		x
24	N720-0085		x
25	N455-0106		n
	N455-0105		p
26	N570-0008	x	

Accessories Parts List / Liste des pièces accessoires / Lista de piezas de accesorios

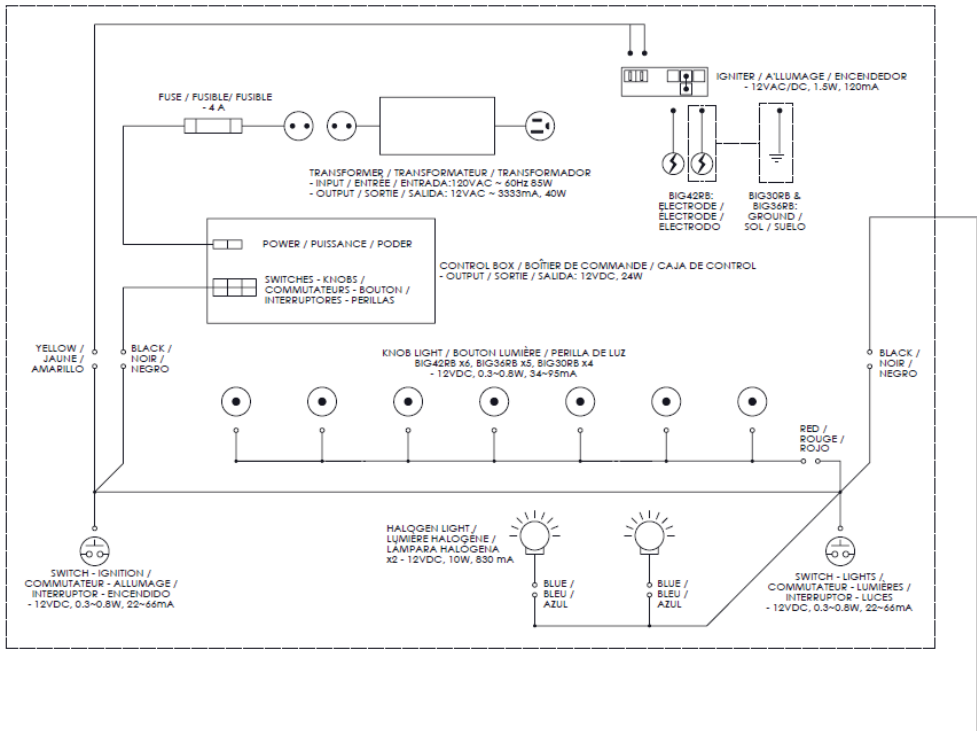
	Description La Description Descripción	BIB10IR	BIB10RT
N370-1091-SER	Power Kit	ac	ac

x- standard part
p- propane
n- natural
ac- accessory

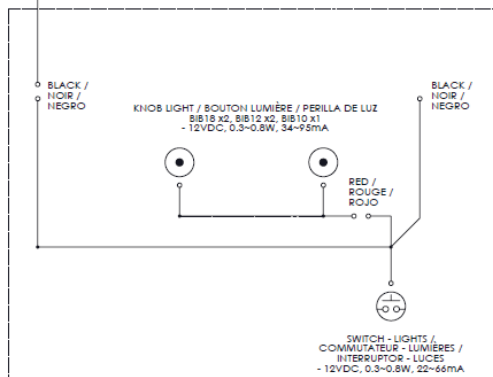
x- standard
p- propane
n- gaz naturel
ac- accessoire

x- standard
p- propano
n- gas natural
ac- accesorio

BIG44RB-1, BIG38RB-1, BIG32RB-1



BIB18, BIB12, BIB10





Napoleon products are protected by one or more U.S. and Canadian and/or foreign patents or patents pending.
Les produits de Napoléon sont protégés par un ou plusieurs brevets américains, canadiens et (ou) étrangers ou par des brevets en instance.
Los productos Napoleon están protegidos por una o más patentes o patentes pendientes en E.U., Canadá y/o otros países.



1-866-820-8686



grills@napoleon.com



www.napoleon.com



WOLF STEEL Ltd.
214 Bayview Drive, Barrie
Ontario, Canada. L4N 4Y8