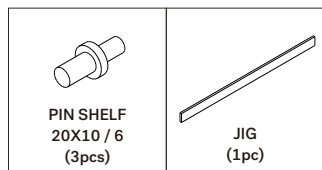


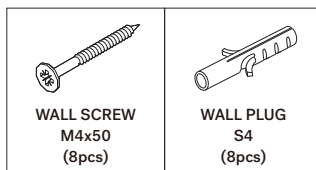
## PI WALL DESK ASSEMBLY INSTRUCTIONS FOR WALL DESK INSTALLATION



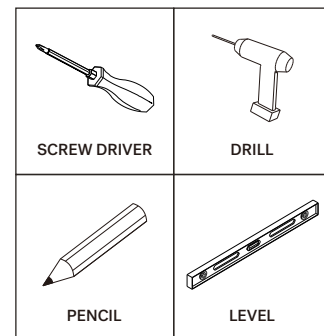
### HARDWARE ENCLOSED



### HARDWARE REQUIRED (Not included in this package)



### TOOLS REQUIRED (Not included in this package)



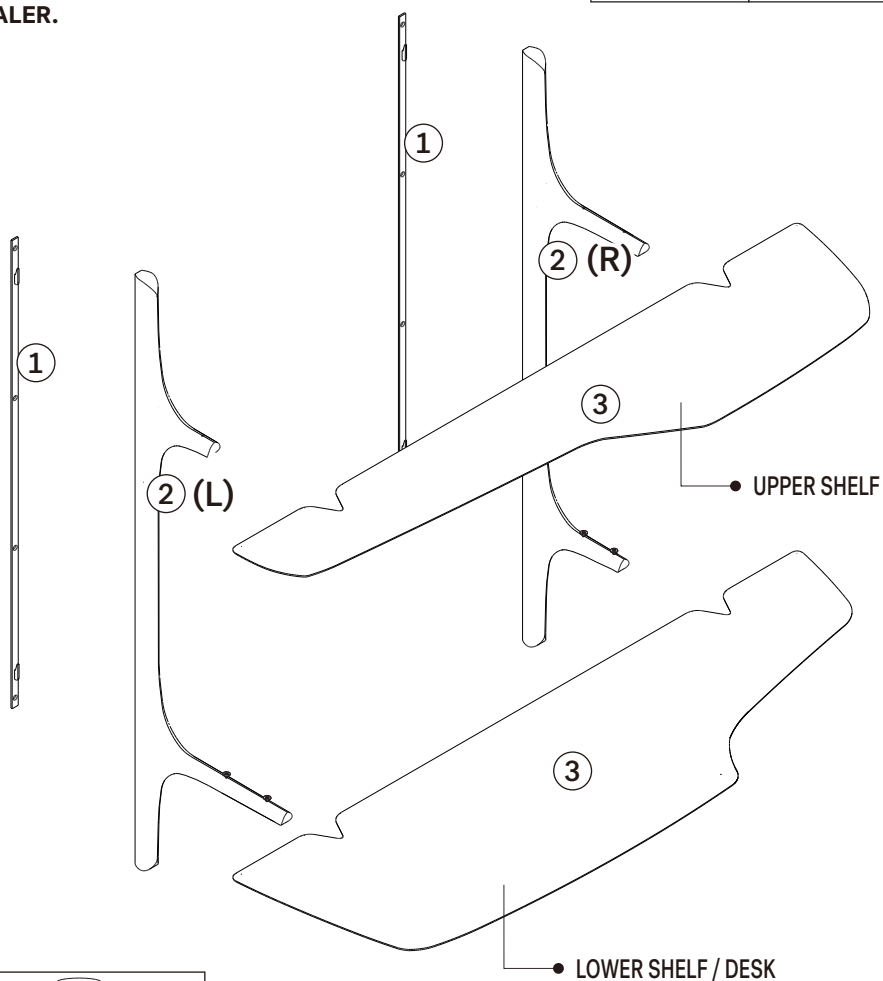
**! AS WALL MATERIALS VARY, SCREWS FOR FIXING TO WALL ARE NOT INCLUDED. FOR ADVICE ON SUITABLE SCREW SYSTEMS, CONTACT YOUR LOCAL SPECIALISED DEALER.**

### IN YOUR PACKAGE :

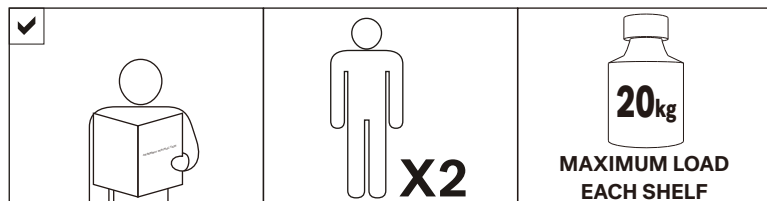
ASSEMBLY INSTRUCTIONS  
HARDWARE (AS LISTED ABOVE)

### PARTS TO BE INSTALLED

1. METAL HANGING BRACKETS (2 pcs)
2. SHELF SUPPORTS (2 pcs)
3. SHELVES (2 pcs)



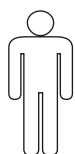
### NOTICE



### SYMBOLS



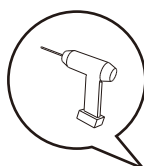
DIRECTION



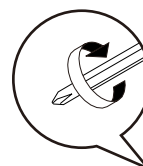
NUMBER OF  
PERSONS NEEDED



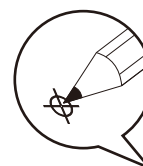
USE HAND



USE DRILL



USE SCREWDRIVER  
TO TIGHTEN



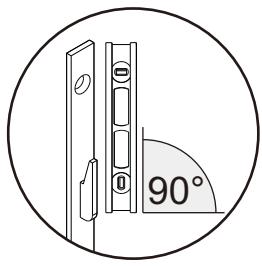
USE PENCIL

## PI WALL DESK

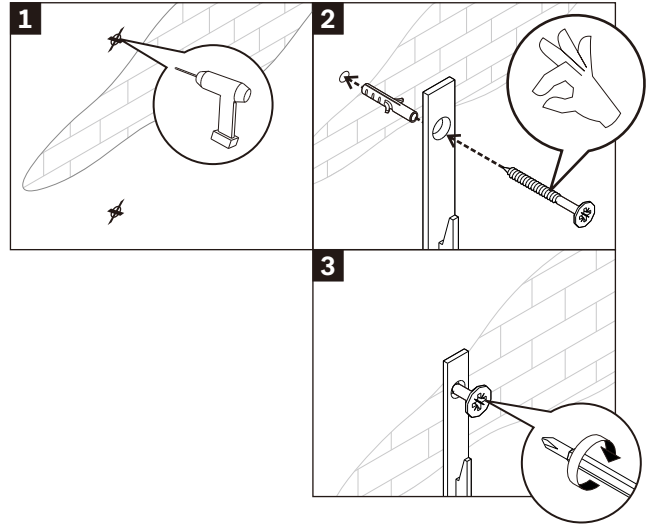
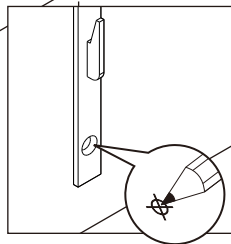
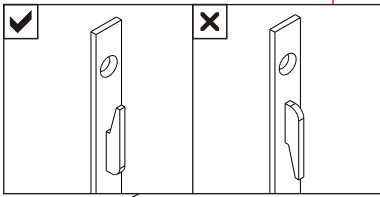
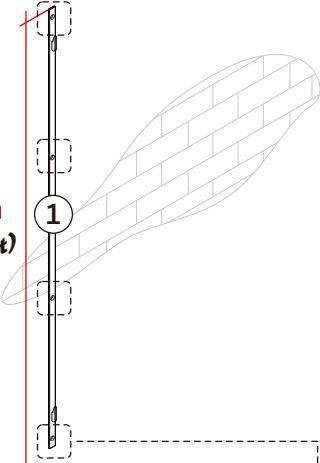
### ASSEMBLY INSTRUCTIONS FOR WALL DESK INSTALLATION



#### A INSTALLING METAL HANGING BRACKET TO THE WALL

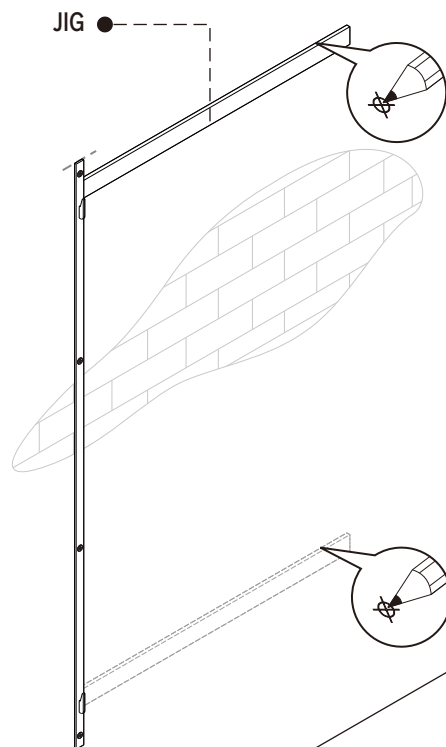


**Y cm**  
(Y = desired height)



- ILLUSTRATION WITH BRICK WALL
- MAKE PENCIL MARKS WITHIN METAL HANGING BRACKET SCREW HOLES
- ! - USE LEVEL FOR ALIGNMENT
- USE WALL PLUG (X4)
- USE SCREW M4X50 (X4)
- TIGHTEN FULLY

#### B DETERMINE THE DISTANCE BETWEEN METAL HANGING BRACKETS

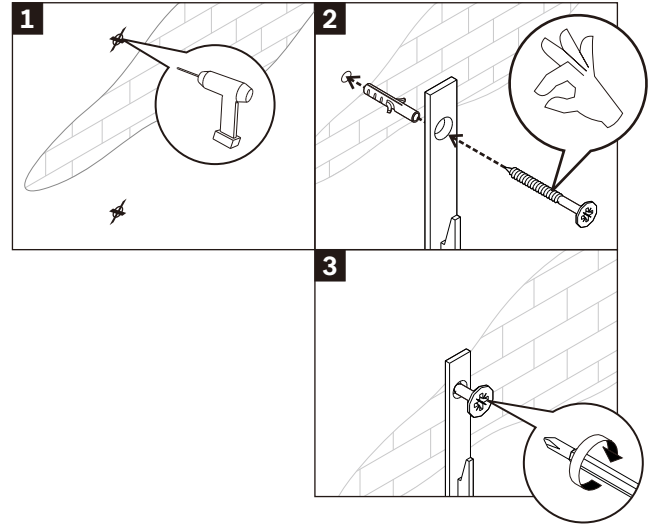
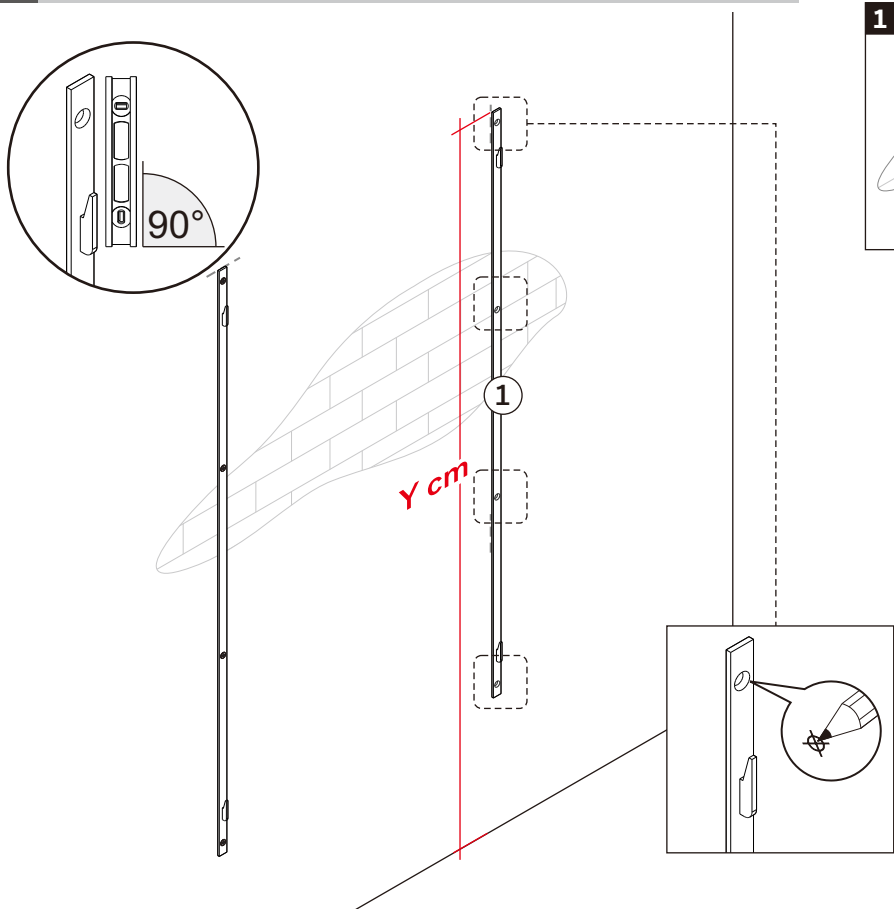


- ! - USE JIG
- USE GUIDELINES TO ENSURE VERTICAL ALIGNMENT

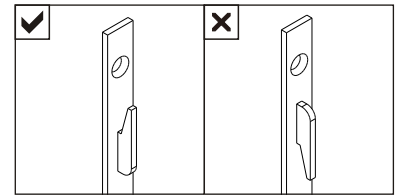
## PI WALL DESK ASSEMBLY INSTRUCTIONS FOR WALL DESK INSTALLATION



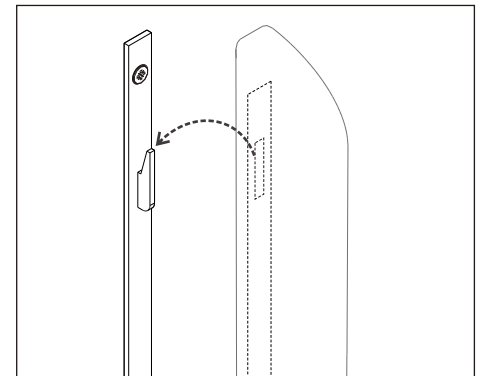
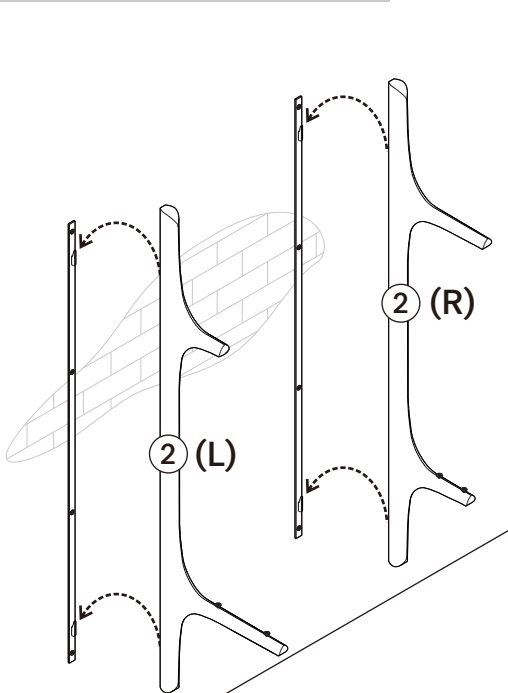
### C INSTALLING METAL HANGING BRACKET TO THE WALL



- USE LEVEL FOR ALIGNMENT
- ENSURE BOTH METAL HANGING BRACKETS ARE AT AN EQUAL HEIGHT
- USE WALL PLUG (X4)
- USE SCREW M4X50 (X4)
- TIGHTEN FULLY



### D INSTALLING SHELF SUPPORTS



PLEASE REFER TO THE CODE ATTACHED ON THE SHELF SUPPORTS



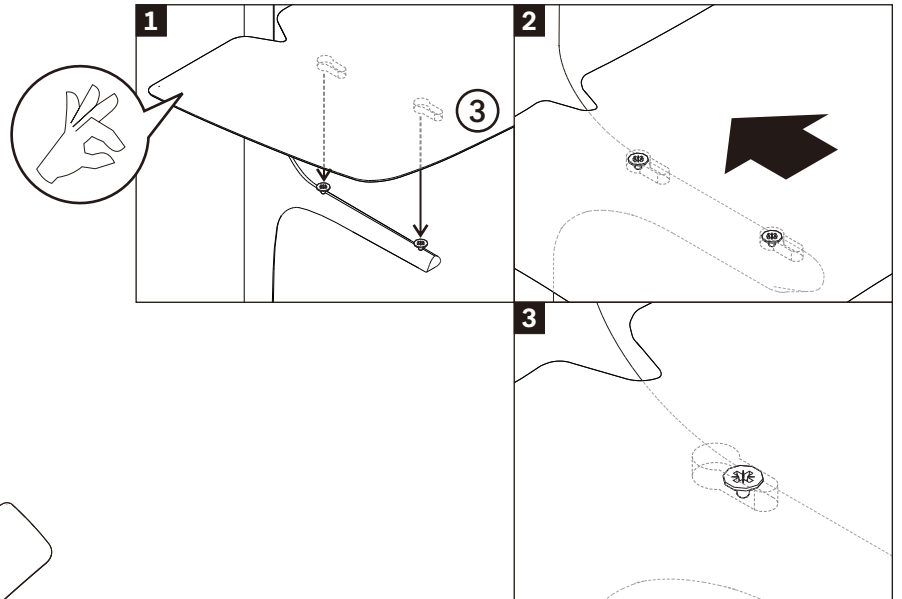
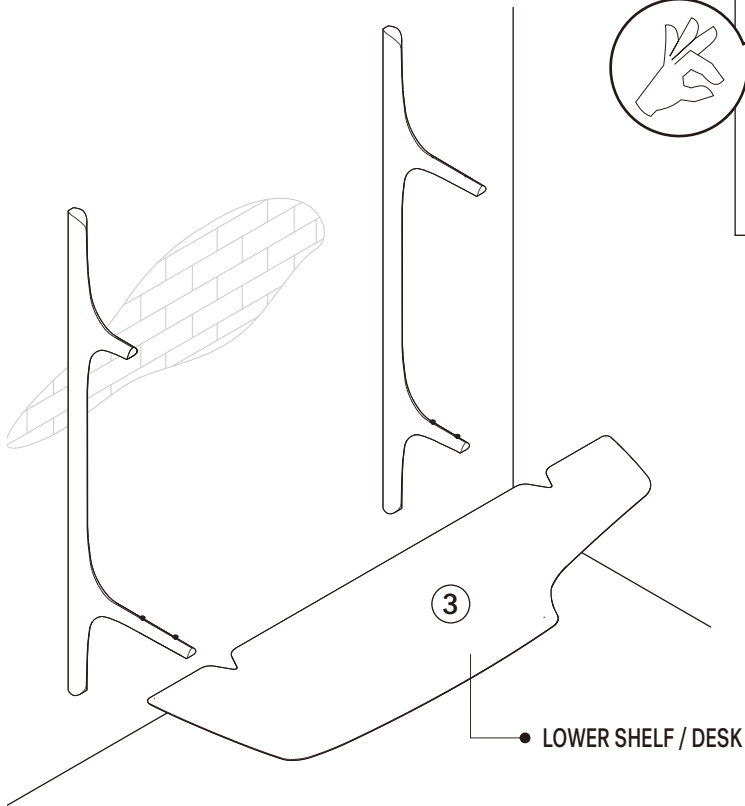
L = LEFT SIDE  
R = RIGHT SIDE

## PI WALL DESK

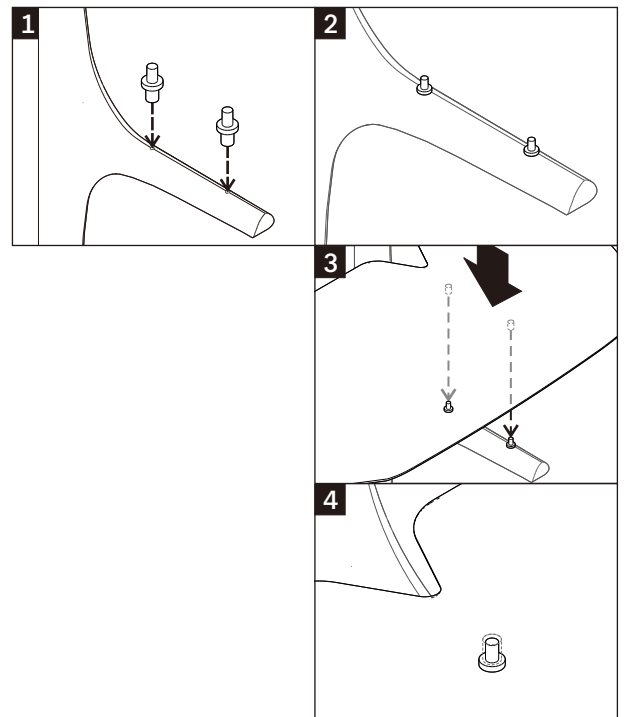
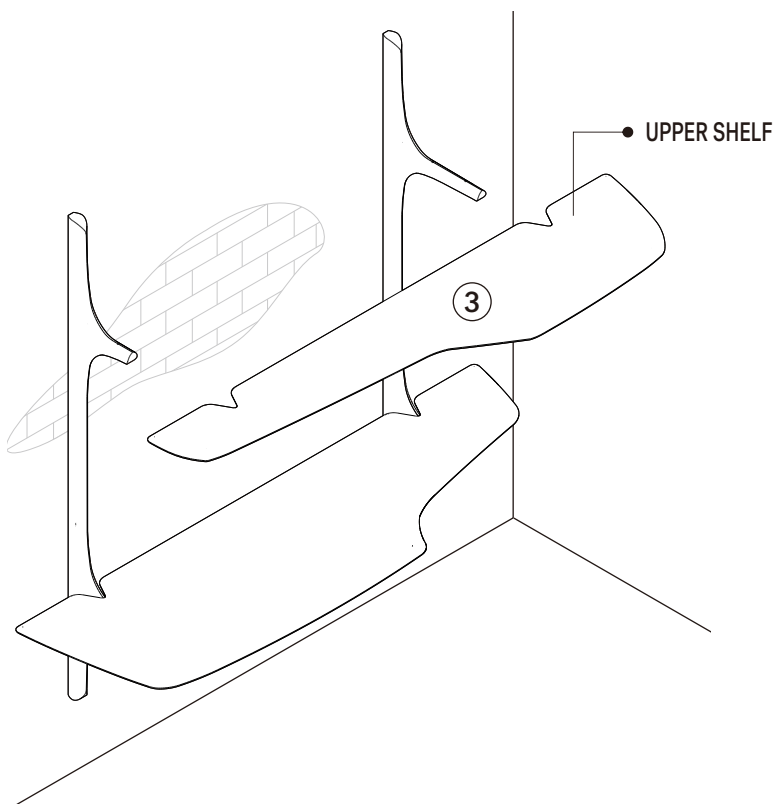
### ASSEMBLY INSTRUCTIONS FOR WALL DESK INSTALLATION



#### E ATTACHING LOWER SHELF / DESK



#### F ATTACHING UPPER SHELF



 USE PIN SHELF 20X10 / 6 (X3)