

MS11

DECK MOUNTED BATH OR BASIN SPOUT



meir®

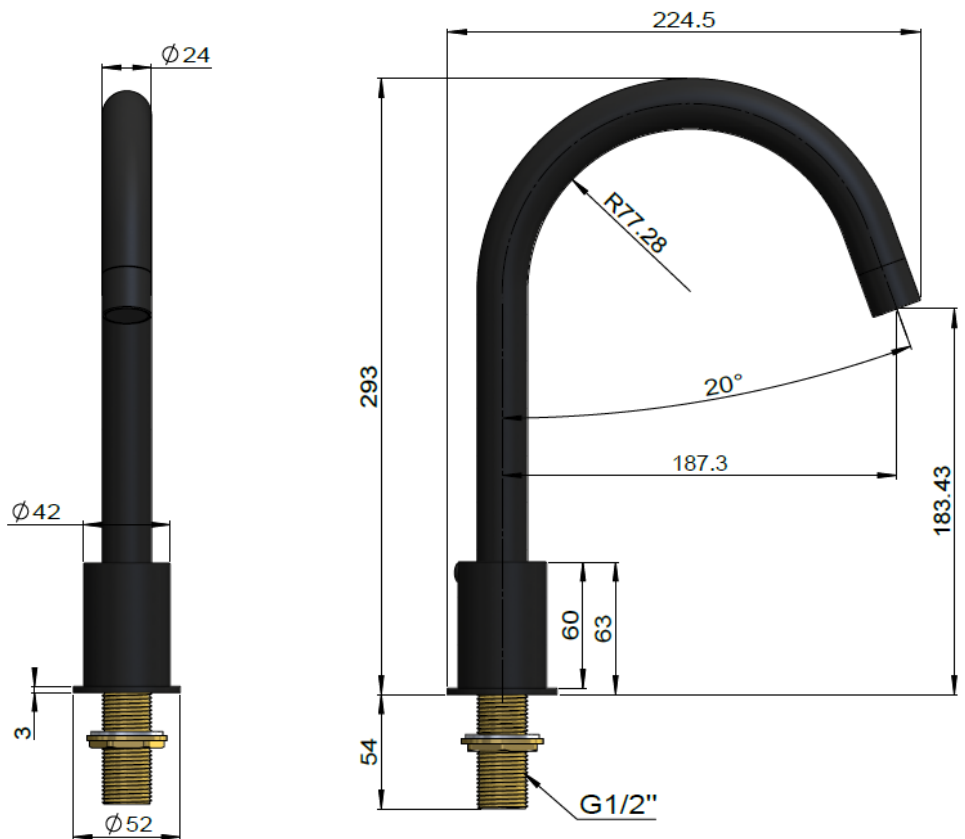
FEATURES

- Refer to the Meir website for warranty terms & conditions, and available finishes.
- Flow rate 5 L/m & 25 L/m at 3 bar pressure.
- European aerators, basin and bath
- Solid brass construction.

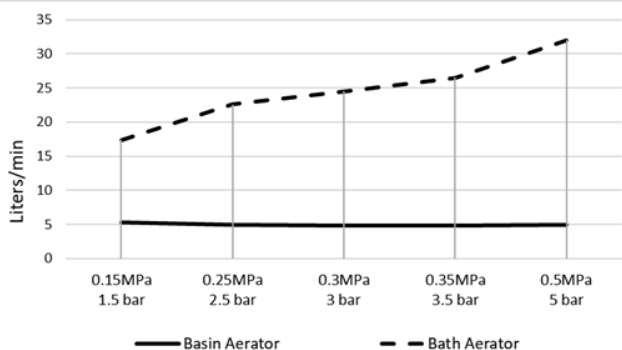
CARE

- Do not install tapware using any form of acetone silicones.
- Do not apply physical items (such as tools) directly to product.
- Never use house-hold or commercial detergents, citrus based cleaners, or abrasive cleaners.
- Clean using a mild washing soap solution rinsed, and dry with a soft cloth.
- Check for any product defects before installation.
- Refer to the installation manual for correct installation.

SPECIFICATIONS



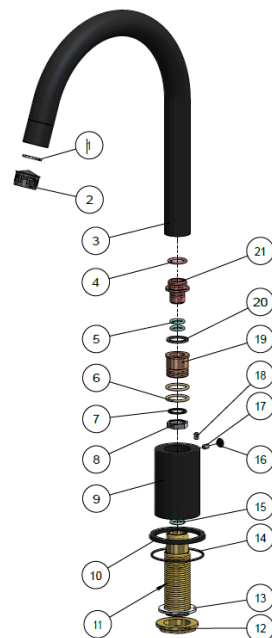
FLOW RATE GRAPH



CREDENTIALS

- Watermark AS/NZS3718WMKA25013
- XX-star WELS rated
- XX litres p/minute
- WELS registration No: XXX
- (WELS application in progress)

EXPLODED VIEW



No.	Part Name	Qty
1	Washer	1
2	Aerator	1
3	Spout	1
4	O-Ring	1
5	O-Ring	2
6	O-Ring	2
7	Washer	1
8	Nut	1
9	Base	1
10	Base	1
11	Thread Tube connector	1
12	Nut	1
13	Washer	1
14	Screw	2
15	O-Ring	1
16	Decorative Button	1
17	Screw	1
18	Screw	1
19	Copper Sleeve	1
20	Wearing Ring	1
21	Connector	1