

MZ06-R HAND SHOWER



meir®

FEATURES

- Refer to the Meir website for warranty terms & conditions, and available finishes
- Flow rate **6 L p/m** at 3 bar pressure.
- Solid brass construction
- Box Weight **1.06 kg**
- 68mm long 1/2" threaded adapter included

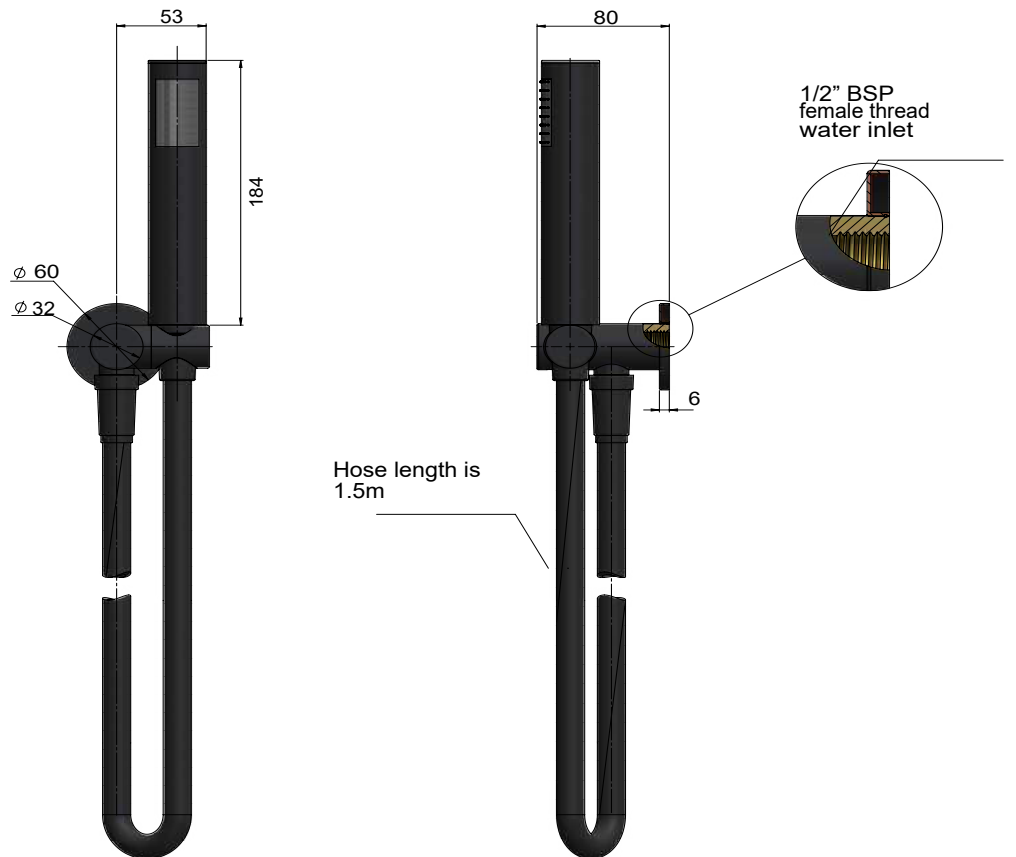
CARE

- Do not install tapware using any form of acetone silicones.
- Do not apply physical items (such as tools) directly to product.
- Never use house-hold or commercial detergents, citrus based cleaners, or abrasive cleaners.
- Clean using a mild washing soap solution rinsed, and dry with a soft cloth.
- Check for any product defects before installation.
- Refer to the installation manual for correct installation.

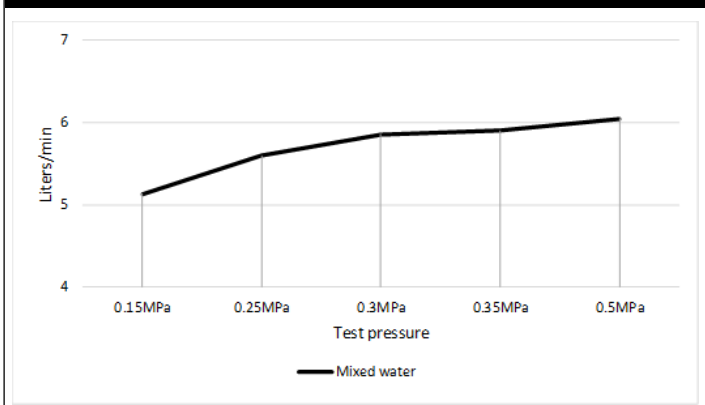
CREDENTIALS

- Watermark AS/NZS3718WMKA25013
- 3-star WELS rated
- 9 ltres p/minute
- WELS registration No: S16889

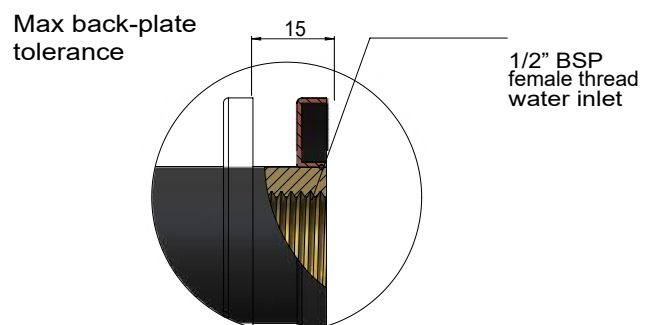
SPECIFICATIONS



FLOW RATE GRAPH



TOLERANCES



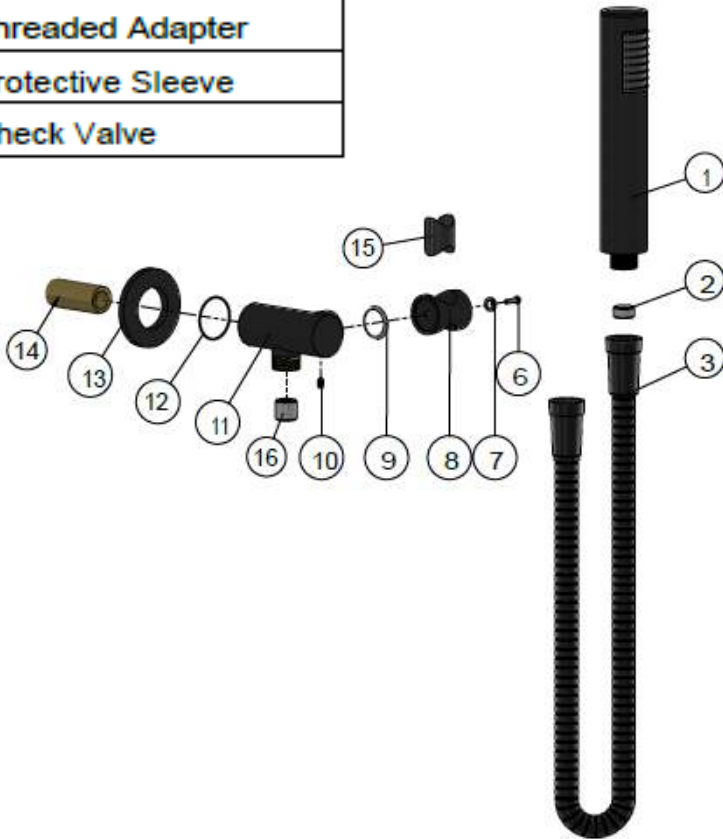
MZ06-R

HAND SHOWER

meir®

EXPLODED VIEW

NO.	Part Number
1	Handle Shower
2	Water Flow Controller
3	Shower Hose
6	Screw
7	Wear Ring
8	Bracket
9	Wear Ring
10	Screw
11	Bracket Base
12	O-Ring
13	Back Plate
14	Threaded Adapter
15	Protective Sleeve
16	Check Valve



NOTE: The hose end caps of parts (3,6) are made from a special hardened plastic to prevent the brass mount (8) from scratching.