

Selectra® SC11 OEM Series Signal Conditioners

INSTALLATION INSTRUCTIONS

⚠ CAUTION

READ PRIOR TO INSTALLATION:

To Avoid Internal Damage to the SC11 Series Signal Conditioners Follow These Guidelines.

1. Transformer secondary must **not** be grounded in any portion of the circuit external to the SC11 Series signal conditioner. A separate, independent transformer is recommended.
2. Multiple SC11 Series signal conditioners controlled by a signal source with common outputs (terminals 5 & 6) require separate transformers for each SC11 Series signal conditioner.
3. Multiple SC11 Series signal conditioners powered by a single transformer require independent signal inputs (terminals 5 & 6) to each SC11 Series signal conditioner.

DESCRIPTION

- For direct or indirect fired gas applications
- Control multiple Selectra valves simultaneously
- Small footprint

SC11-A: The track mounted SC11-A converts a controller's DC output signal of 4-20 mA to a 0-20 V DC signal used to control Selectra valves.

SC11-V: The track mounted SC11-V converts a controller's DC output signal of 0-10 V to a 0-20 V DC signal used to control Selectra valves.

SC11-B: The track mounted SC11-B converts a controller's DC output signal of 4-20 mA or 0-10 V to a 0-20 V DC signal used to control Selectra valves. Toggling between 4-20 mA or 0-10 V is achieved with an on-board 3-position DIP switch: 4-20 mA - all positions on; 0-10 V - all positions off.

Model	Input	Output
SC11-A	4 - 20 mA	0 - 20V DC
SC11-V	0 - 10 V	0 - 20V DC
SC11-B	4 - 20 mA or 0 - 10 V	0 - 20V DC

Modulator and modulator-regulator valves are available up to 5 psi (350 mbar) inlet pressure, 30,000 CFH (850 m³/h) maximum, and pipe sizes from 3/8" to 4". (For additional valve information see Bulletin MMR_MT_EN, or consult your Maxitrol sales representative.)

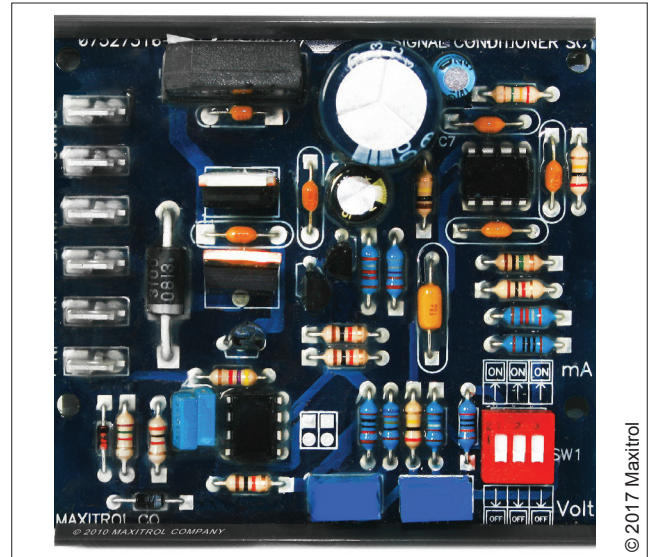


Figure 1: SC11 Series Signal Conditioner

SPECIFICATIONS

DIMENSIONS: 3.10" W x 3.00" H x 1.75" D

SC11 SERIES OUTPUT TO VALVE
0 - 20 VDC. Maximum Load: 1.8 A

AMBIENT TEMPERATURE
-40° to 158°F (-40° to 70°C)

POWER REQUIREMENTS
24VAC, 20 VA* (50/60 Hz) transformer.
*VA Dependent on number of valves controlled.
(Maximum Load: 1.8 A)

NOTE: No grounded secondary.

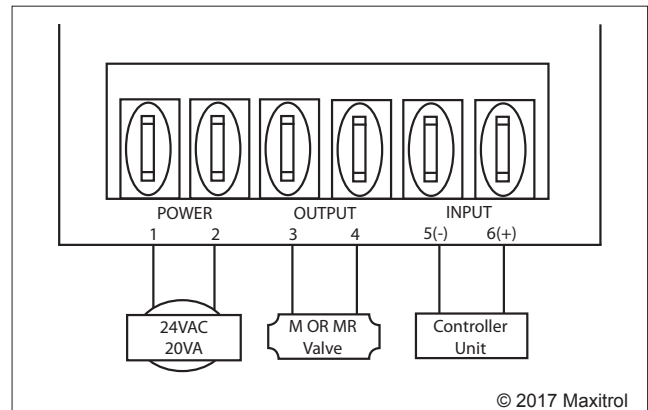


Figure 2: SC11 Wiring Diagram