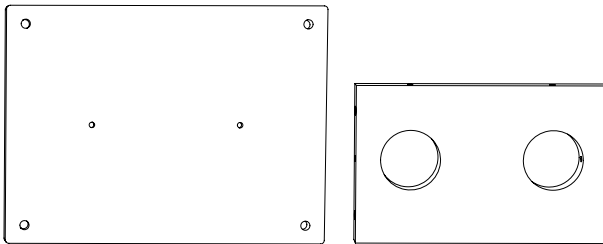
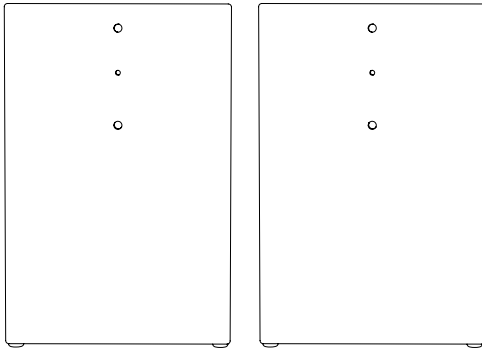
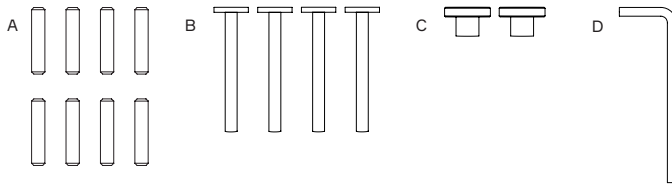


Remake Stool

Assembly guide

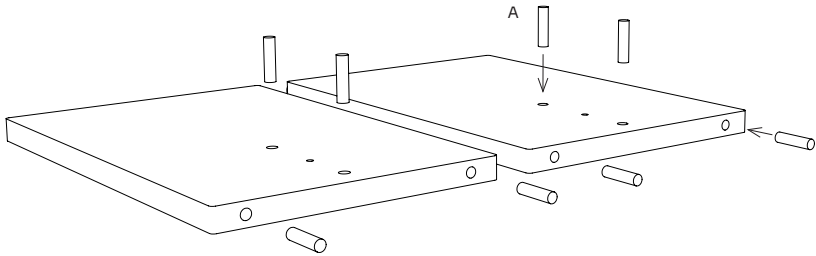
Components

Place the components on a blanket to avoid scratches on the floor and on the product.



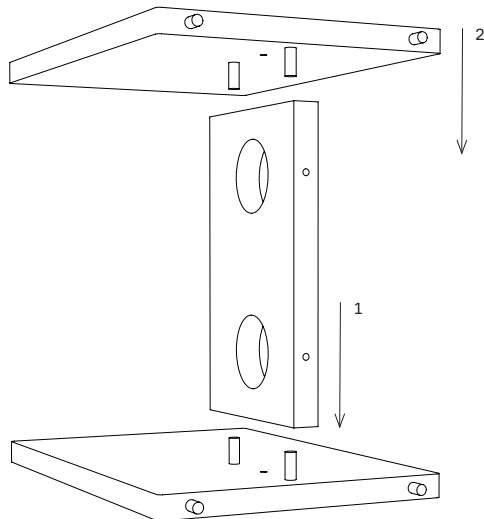
Step 1

Insert all the dowels (A) into the holes on both legs, as shown in the diagram.



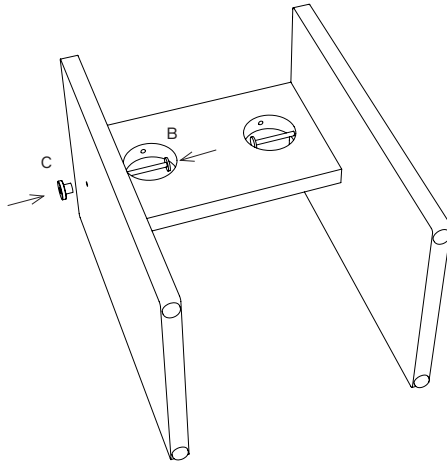
Step 2

Assemble the stool legs using the dowels and the apron.



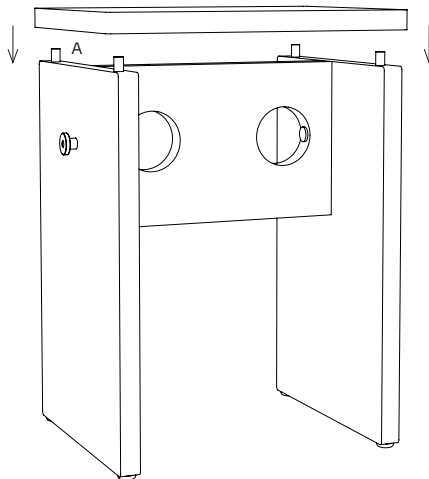
Step 3

Carefully flip the furniture over and secure the screws (B) through the holes in the apron by tightening them into the hand screws (C).



Step 4

Carefully turn the furniture over and attach the seat to the dowels (A).



Step 5

Secure the seat further by inserting 2 screws (B) through the holes in the apron and into the seat using the allen key (D). The stool is now fully assembled.

