

Saga Pendant, Trio
Assembly Guide



Thank you for choosing In Common With. Please confirm that you received all of the components pictured in this guide, and reach out to us if anything is missing. It's rare, but it happens. We hope you enjoy your fixture. With proper care, it should last a lifetime.

Have questions? Please contact us at support@incommonwith.com.



CAUTION!

Electrical shock risk. Turn off electrical power at the main fuse box or circuit panel before beginning installation, servicing the light, or installing accessories. We recommend working with a qualified electrician familiar with the type of work you'd like done.

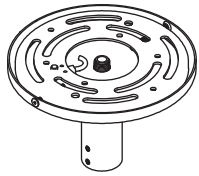
ATTENTION!

Risque de choc électrique. Coupez l'alimentation électrique au niveau de la boîte à fusibles principale ou du panneau de circuits avant de commencer l'installation, l'entretien de la lumière ou l'installation d'accessoires. Nous vous recommandons de travailler avec un électricien qualifié familier avec le type de travail que vous souhaitez effectuer.

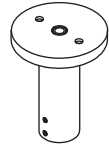
Saga Pendant, Trio
Components



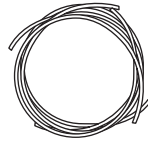
Stem, (x2)



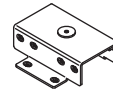
Large Canopy



Small Canopy



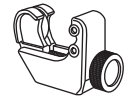
Wire Bundle



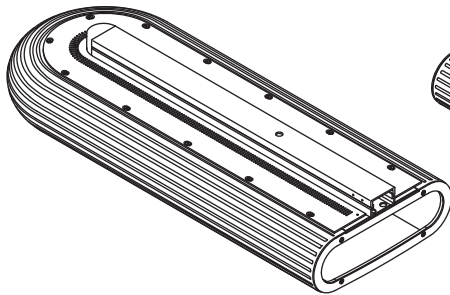
Large Bracket, (x2)



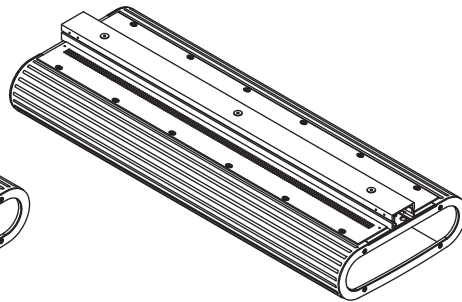
Small Bracket, (x2)



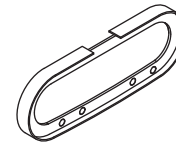
Stem Cutter



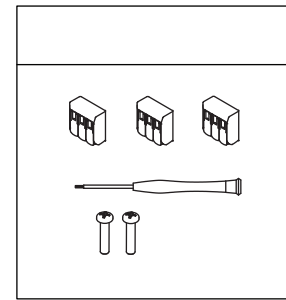
30" End Module, (x2)



30" Center Module

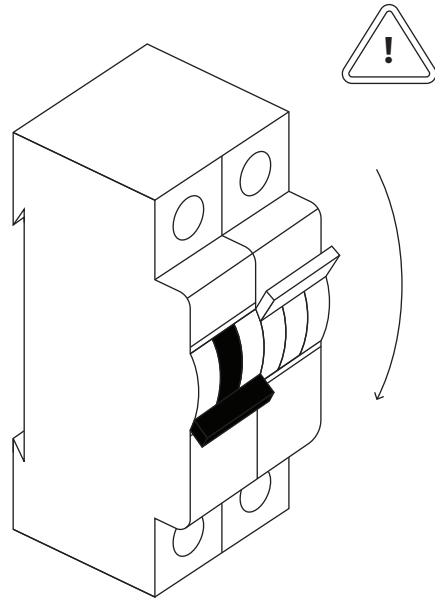


Magnetic Cap, (x2)



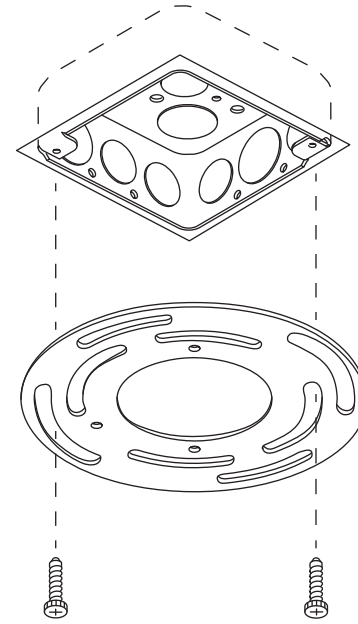
Hardware Pack

Step 1



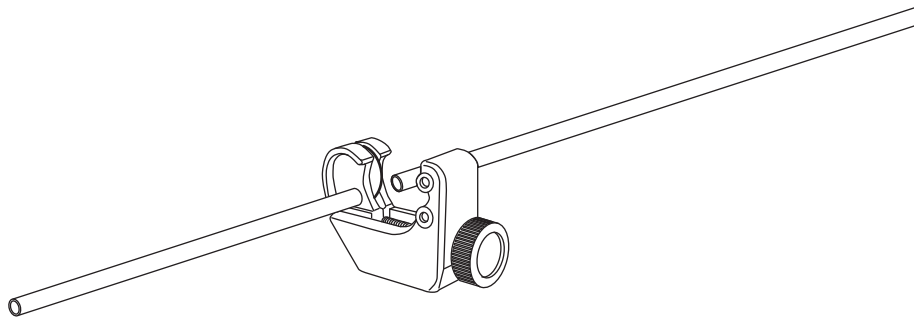
Before beginning installation, turn off electrical power at the main fuse box or circuit panel.

Step 2



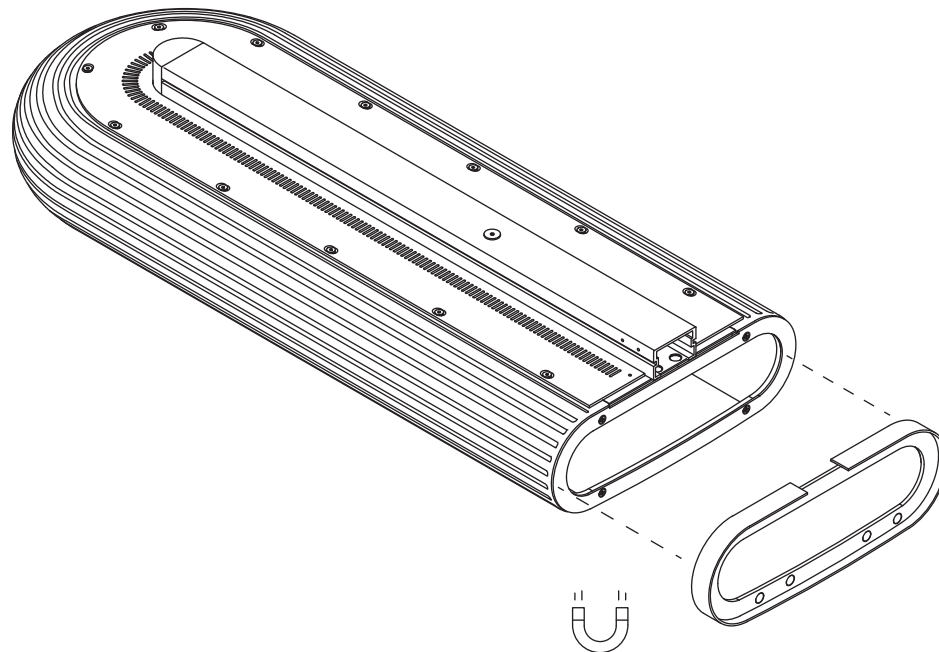
Mount the backplate to the junction box using a phillips head screwdriver to tighten the mounting screws.

Step 3



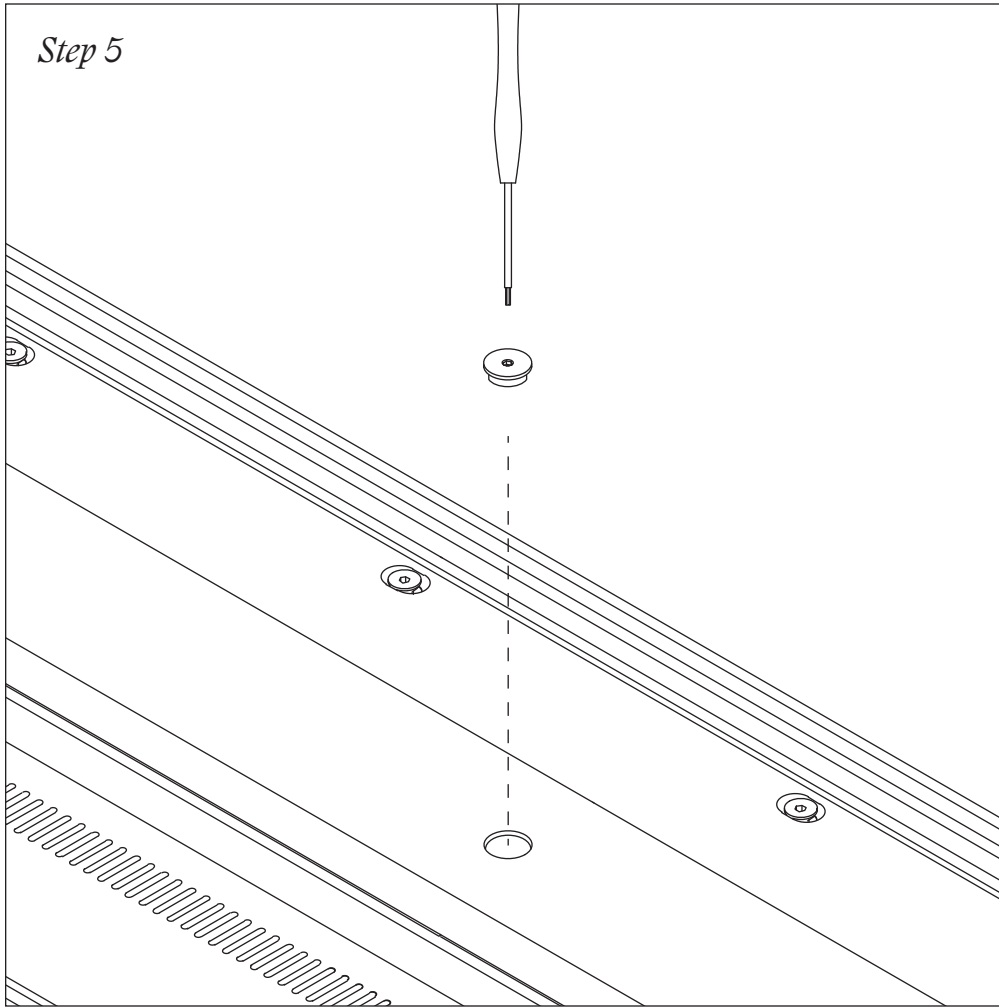
Use the stem cutter to cut the stems to the desired lengths. Be sure to cut on the end without the threaded attachment.

Step 4



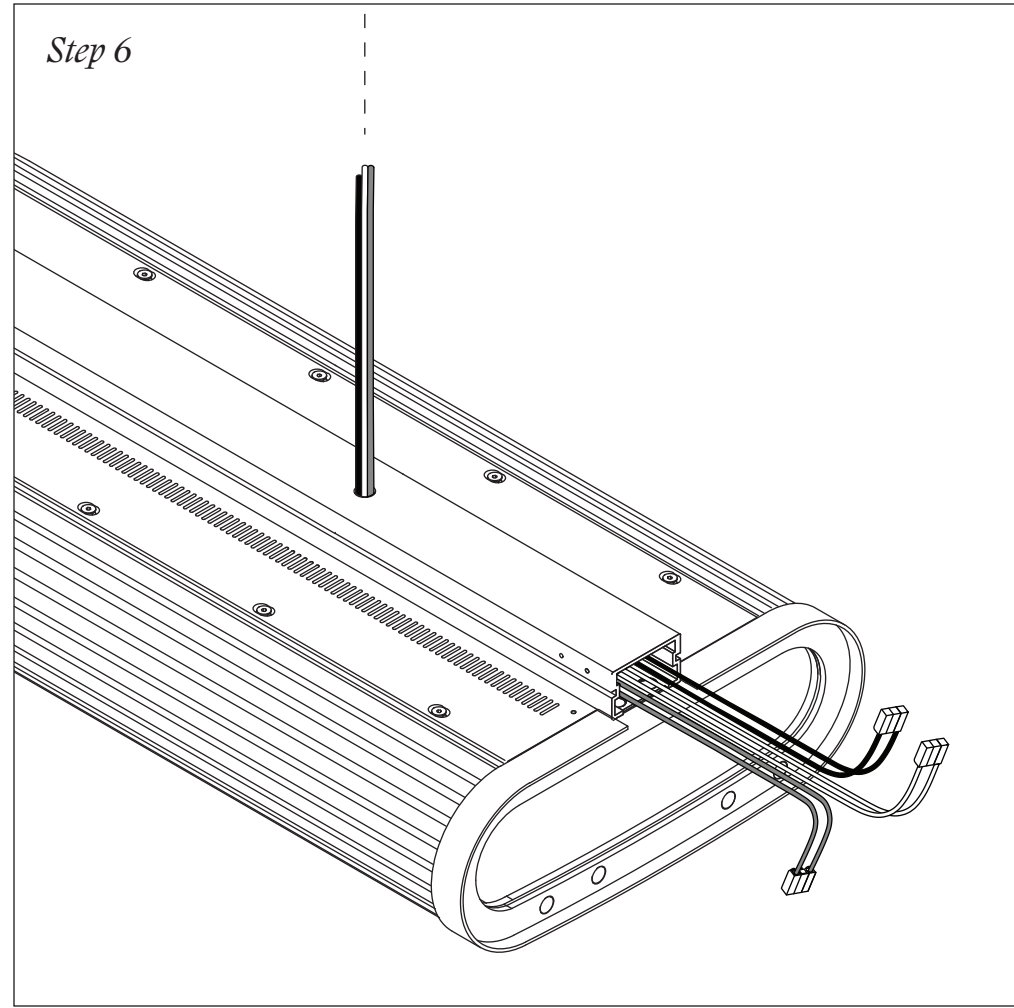
Snap the magnetic cap onto the open side of both 30" end modules.

Step 5



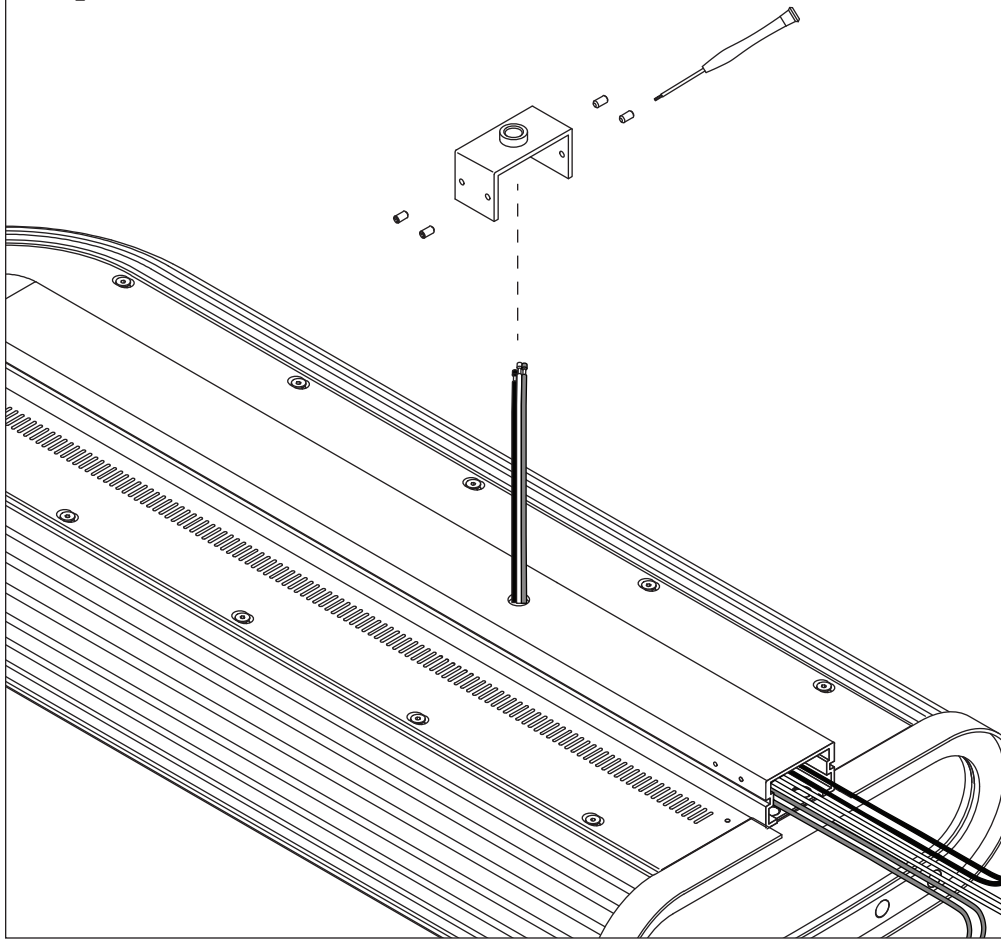
Use the included hex key to remove the cap from the 30" end module that will be wired to the junction box.

Step 6



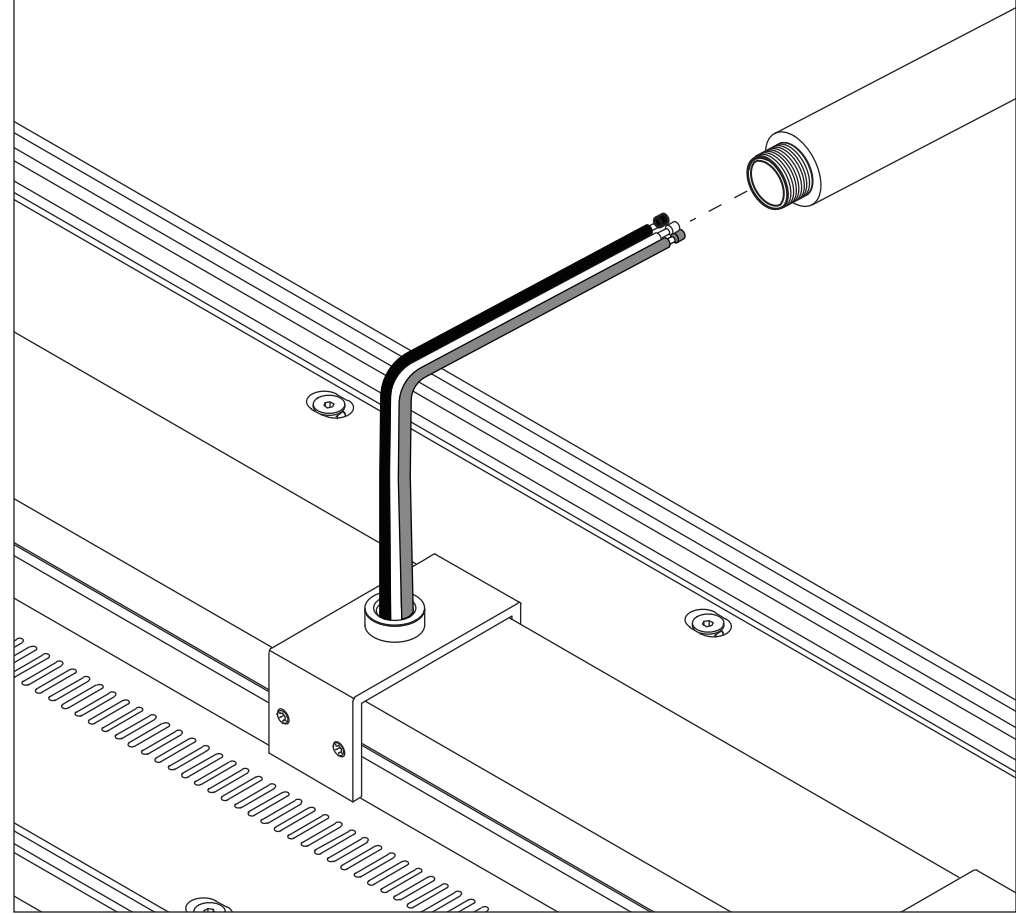
String the wire bundle through the hole and out of the opening on the module. Use the wago clips to connect the extra wires to the corresponding wire colors in the module. White is neutral; Black is live; Green/ Yellow is ground. If needed use a wire stripper to remove 3/8" of the insulation from each wire before inserting them into the corresponding wago clip.

Step 7



String the wire through the small bracket. Align the small bracket over the hole in the end module. Use the included hex key to tighten the set screws, securing the bracket in place.

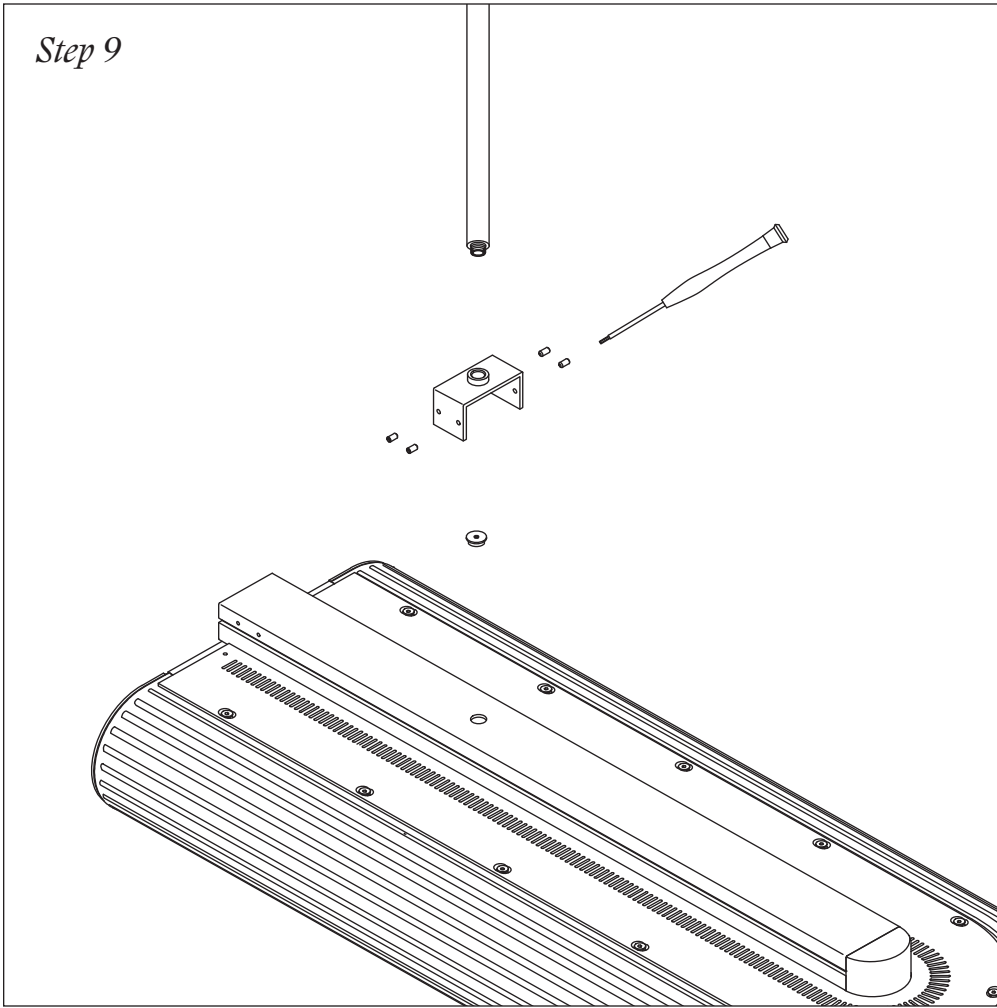
Step 8



Feed the wires from the 30" end module through the stem that will be wired to the large canopy with the threaded attachment facing down. Rotate the stem clockwise into the small bracket to secure the stem in place.

If your fixture requires more than one stem, screw on the additional stem before feeding the wires.

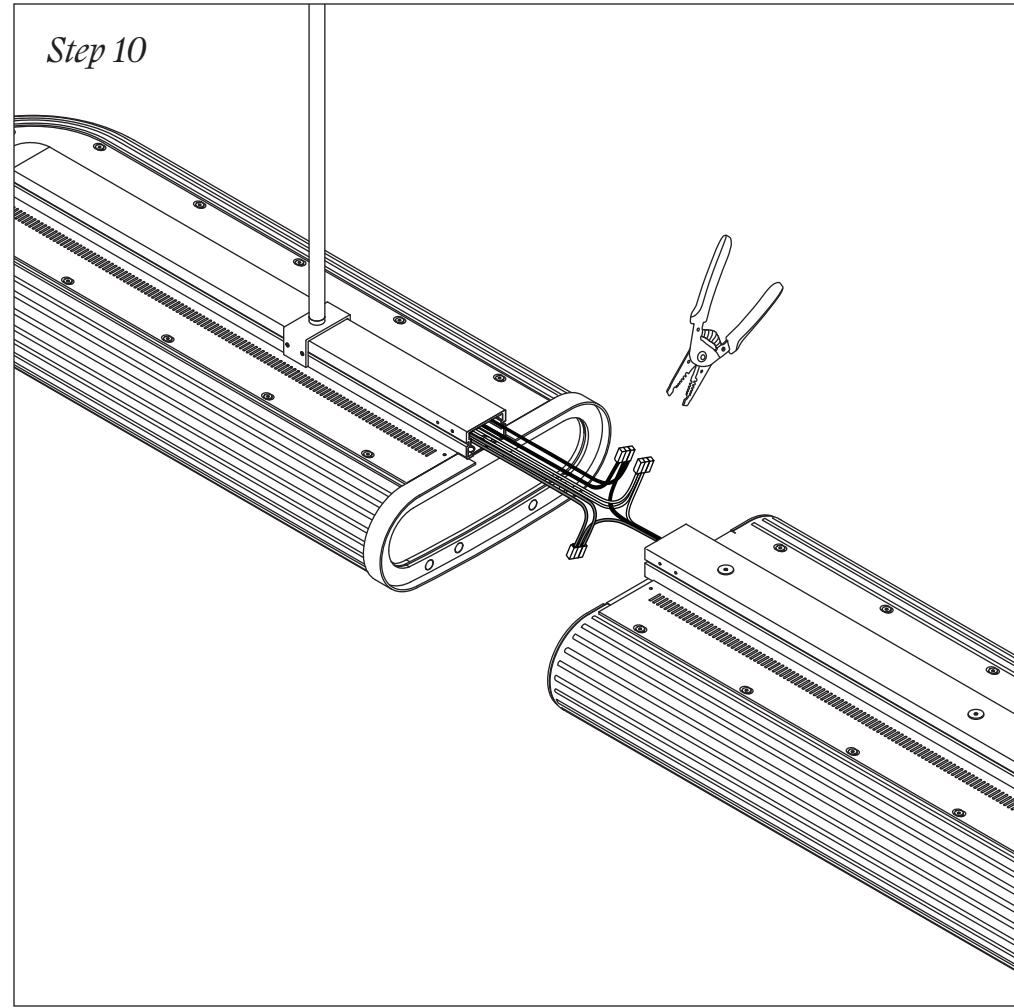
Step 9



Use the included hex key to remove the cap from the other 30" end module that will NOT be wired. Gently place the small bracket over the hole. Secure the bracket in place by tightening the set screws with the included hex key.

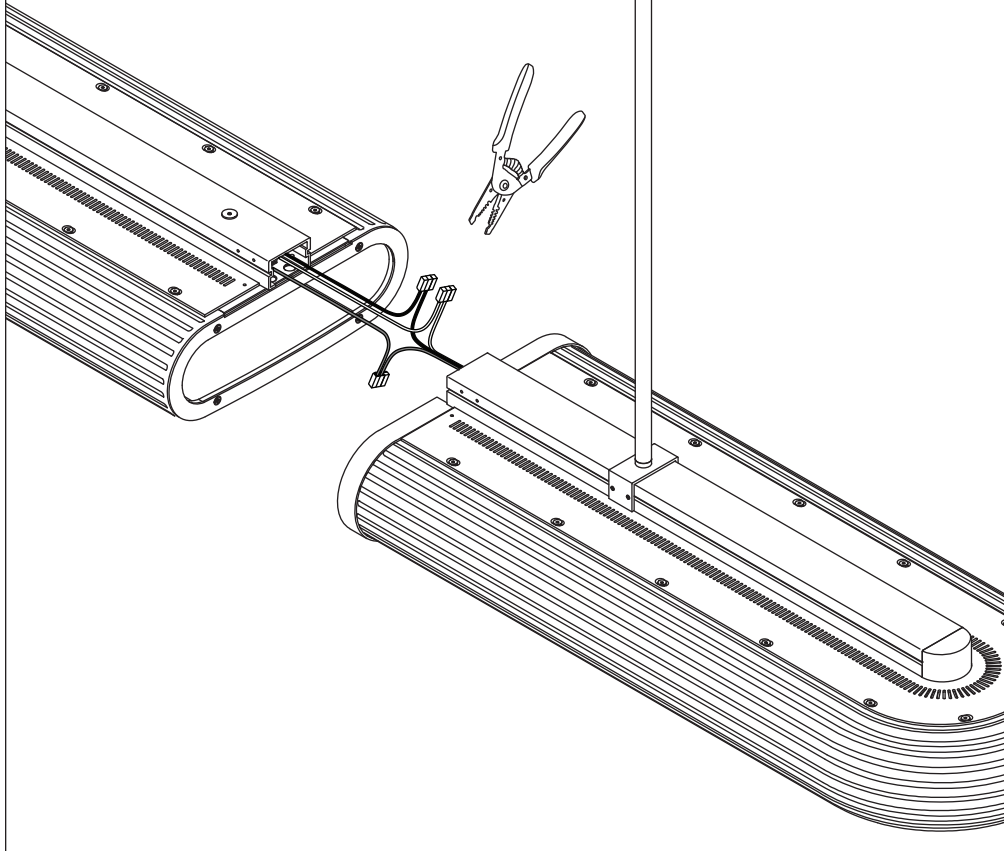
Take the second stem, and with the threaded attachment facing down rotate clockwise into the stem bracket to secure the stem in place.

Step 10



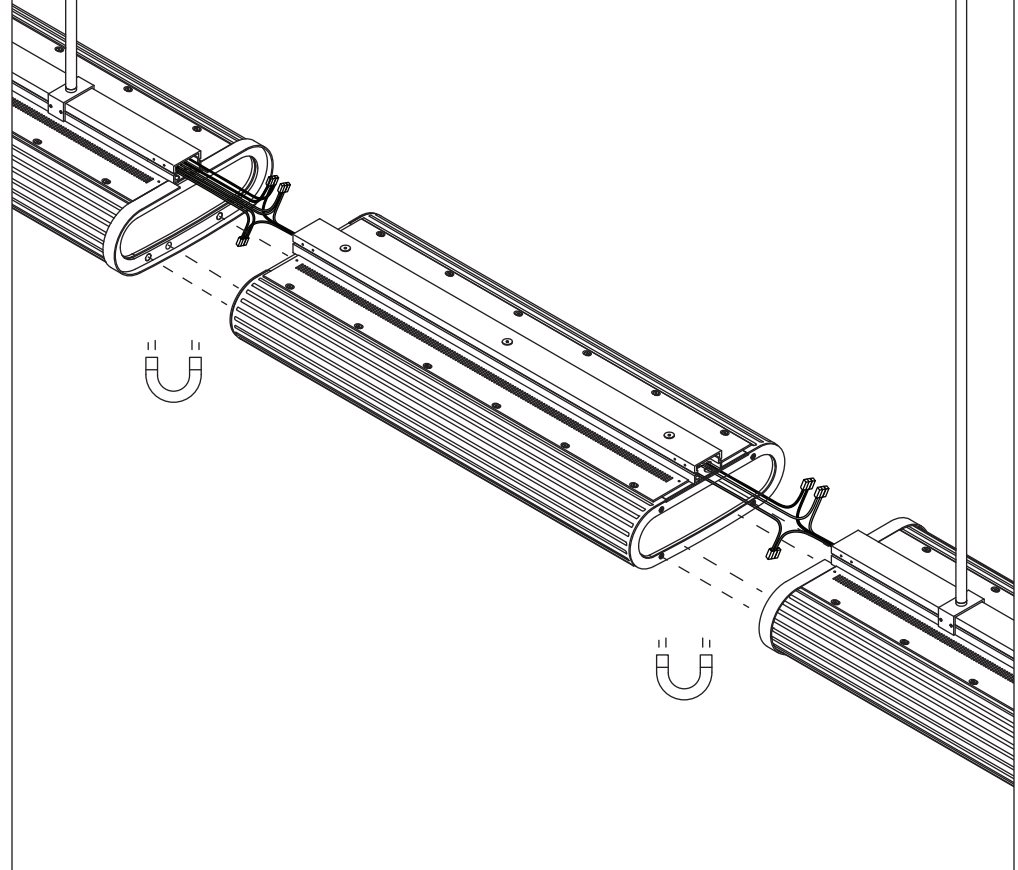
Use the wago clips to connect the wires from one 30" end module to the corresponding wire colors from the other 30" center module. White is neutral; Black is live; Green/ Yellow is ground. If needed use a wire stripper to remove 3/8" of the insulation from each wire before inserting them into the corresponding wago clip.

Step 11



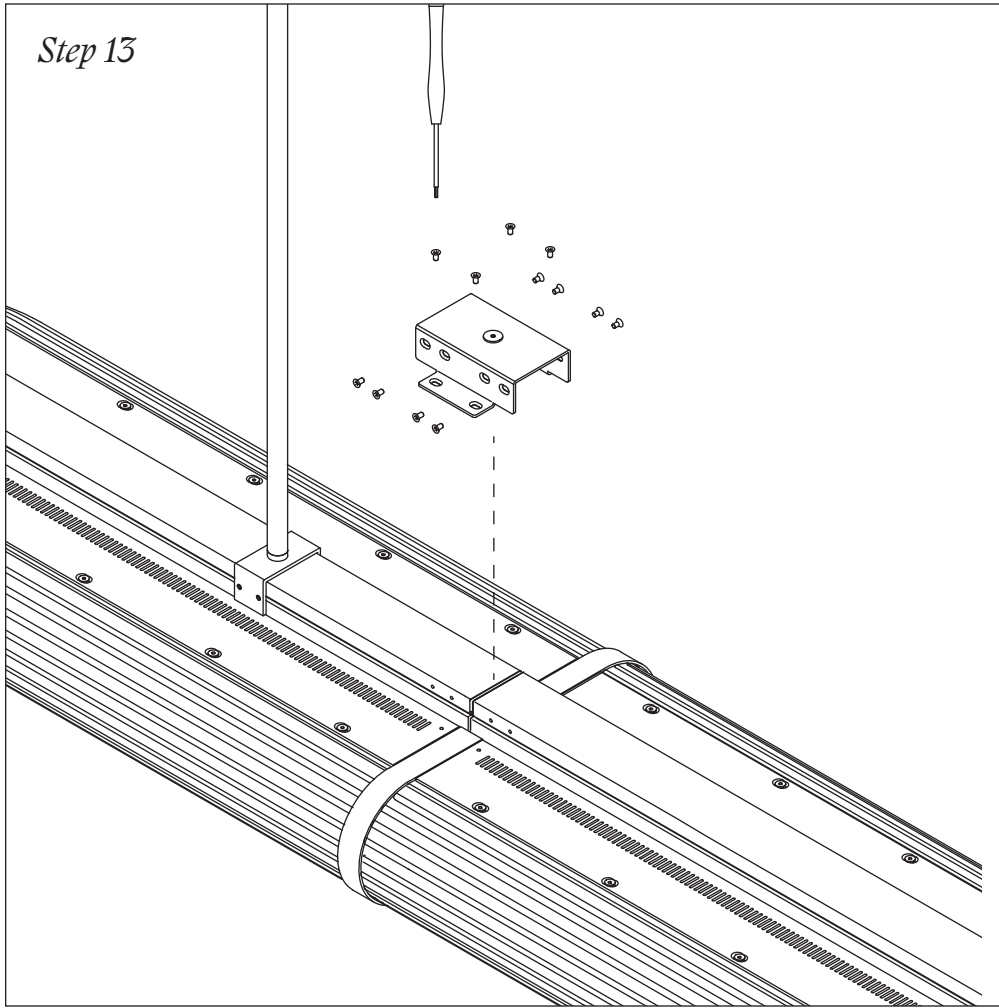
Use the wago clips to connect the wires from one 30" center module to the corresponding wire colors from the other 30" end module. White is neutral; Black is live; Green/ Yellow is ground. If needed use a wire stripper to remove 3/8" of the insulation from each wire before inserting them into the corresponding wago clip.

Step 12



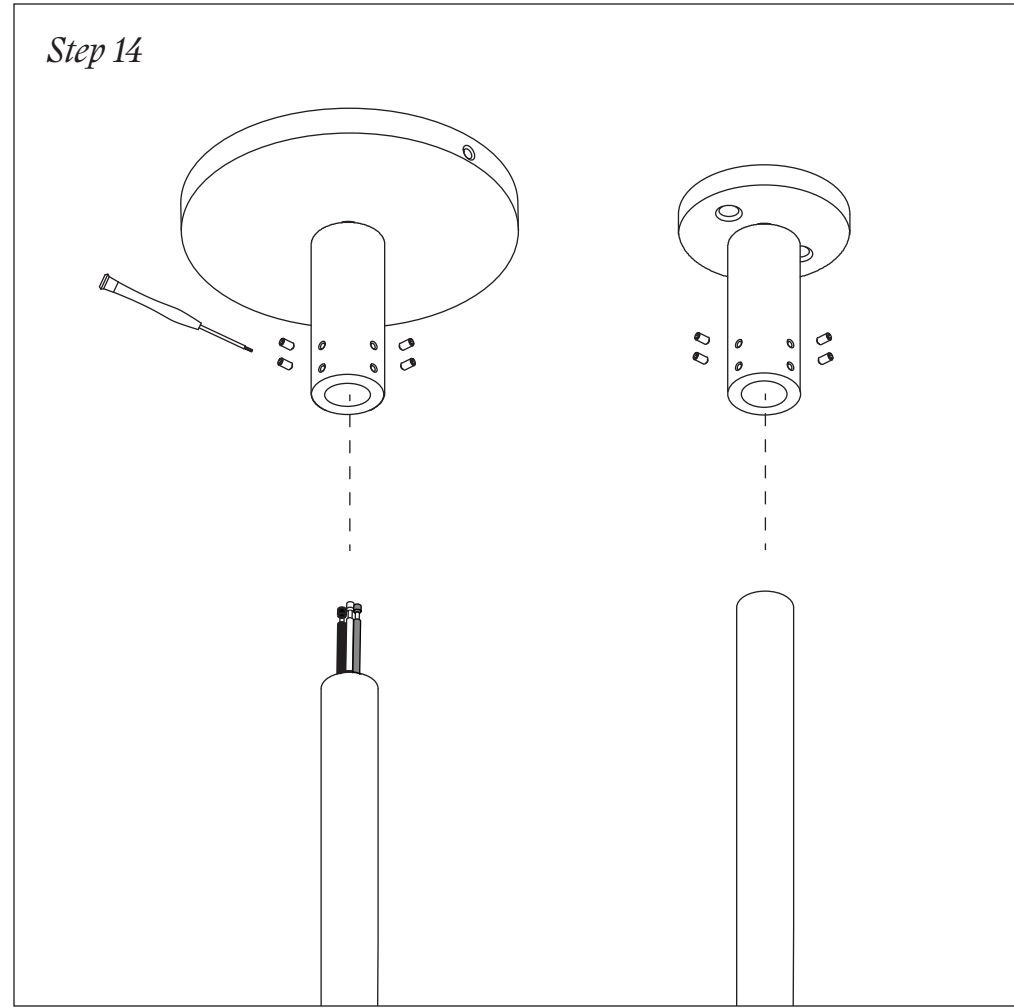
Gently push all wires into the channel at the top of the module. Align the to modules and snap the center module to the magnetic cap on the two end modules.

Step 13



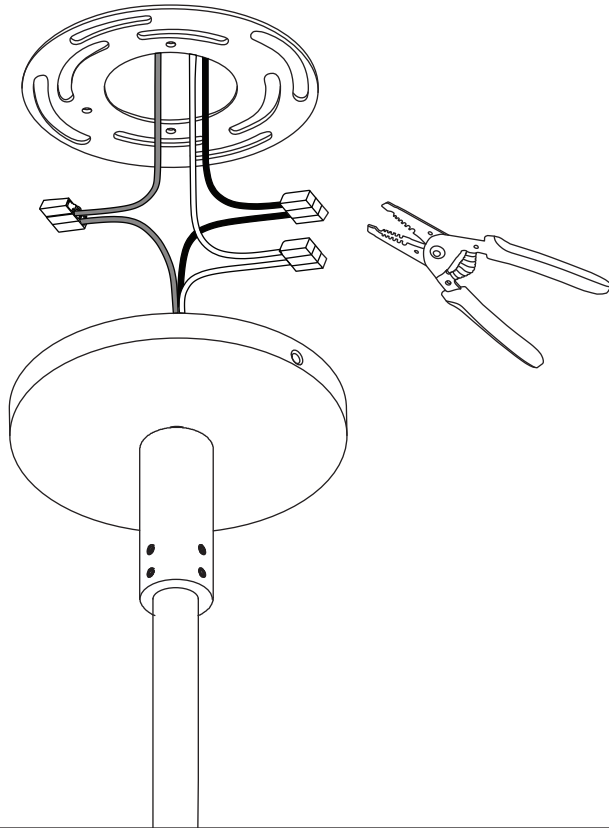
Gently align the large brackets over each of the two connecting points. Use the included hex key to tighten the set screws, securing the large brackets in place.

Step 14



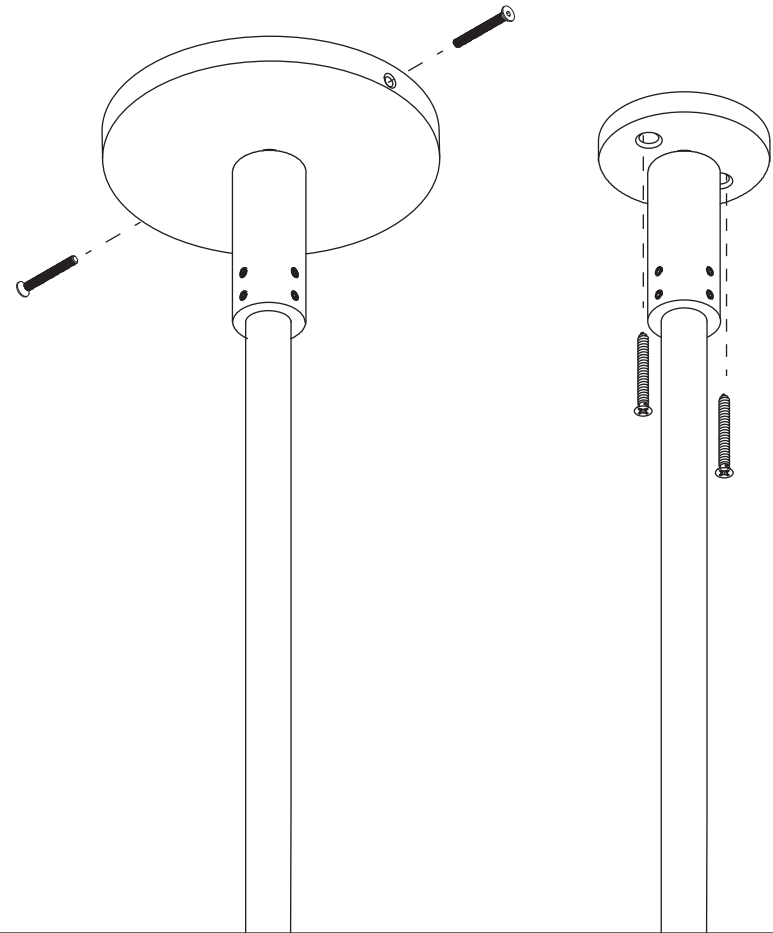
Insert the stems into their corresponding canopies. Tighten the set screws at the base of the canopies with the included hex key to secure the stems in place.

Step 15



Use the wago clips to connect the fixture's wires to the corresponding wires from the junction box in the wall or ceiling. White is neutral; Black is live; Green/ Yellow is ground. One ground wire will be attached to the backplate, the other ground wire should come from the junction box. If needed use a wire stripper to remove 3/8" of the insulation from each wire before inserting them into the corresponding wago clip.

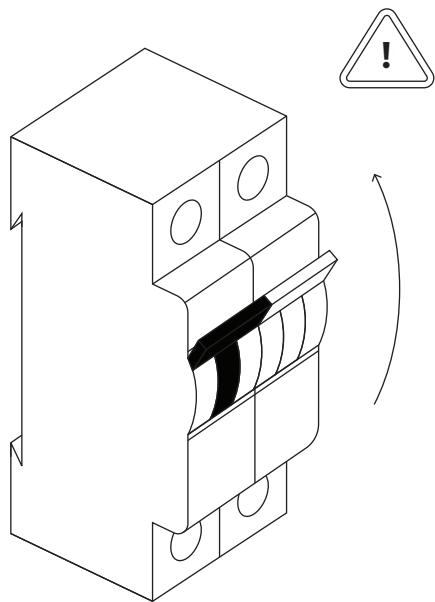
Step 16



Mount the large canopy over the backplate using the included hex key to secure the counter sunk screws.

Mount the small canopy to the ceiling using anchors appropriate for your wall material, (not provided). Consult a qualified professional if needed.

Step 15



Turn the power back on at the main fuse box or circuit panel you disabled before installation. Turn on the light :)

Care Instructions

Never use scouring pads or abrasive cleaning solutions. If it comes in a bottle, it is bad for your fixture. Instead, we recommend using soft microfiber cloths, which are gentler on our products and the planet.

For Metal: Wipe with a damp or dry microfiber cloth. Please note that our brass is unlaquered, and will darken naturally over time.

For Glass: Wipe clear or colored glass with a damp microfiber cloth. For sandblasted or etched glass, use a dry microfiber cloth. Removable glass shades can be washed carefully in a sink using warm or hot water.

For Ceramic: Wipe with a damp microfiber cloth. Do not submerge in water.

Return Policy

We accept returns for store credit only, minus a 15% restocking fee. We do not accept returns on pieces from the Handmade, Disc, Terra, or Flora series, on the Ceramic or Colored Glass Up Down Sconces, or on items that are not in their original condition. Custom and Rush orders are final sale. Please note that shipping charges are non-refundable.

To request a return, email sales@incommonwith.com within ten days of receiving your order. Requests must be approved before a return can be processed. Requests made after ten days will not be accepted.

All products that come in their own box, including but not limited to light bulbs and accessories, must be returned in their original, undamaged box as this is considered part of the product. Once installed, products are no longer eligible for return.

We reserve the right to reject any returned items that do not meet the above requirements. If your return is rejected you will be notified via email.