



PL-12011 *Vortex Series* Toilet

Features

- Sleek One-Piece Design
- High-Efficiency Dual Flush
- Soft-Close Seat
- Easy Clean Sides



Material

- Vitreous China

Available Color/Finishes Intended for reference only

Color	Description
<input type="checkbox"/>	White
<input type="checkbox"/>	Matte Black

6140 Ulmerton Road Clearwater, FL 33760

Phone: (727) 388-9895

Fax: (727) 362-1281

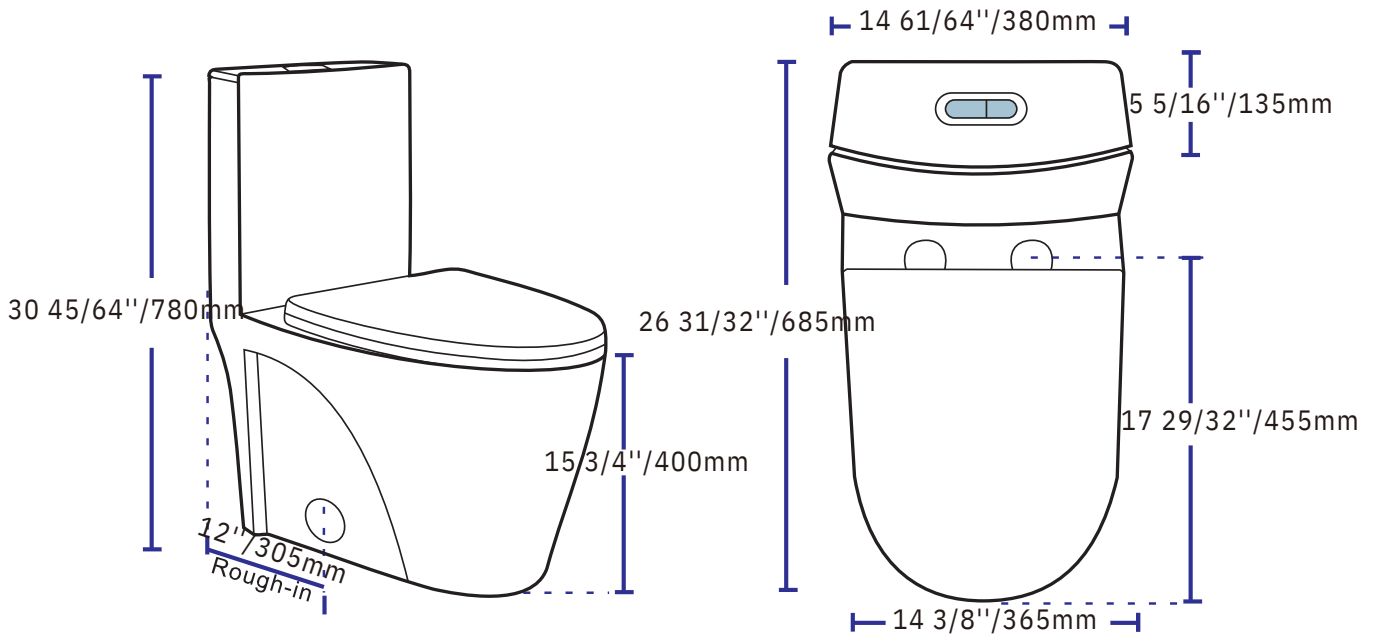
For the most current Specification Sheet, go to www.pelicansinks.com





PL-12011

Vortex Series
Toilet



Technical Information

All product dimensions are nominal

Size: 26 31/32" x 14 61/64" x 30 45/64"

Seat Height: 15 3/4"

Trapway: 2" Fully Glazed

Rough-In: 12"

Flush Type: High-Efficiency Dual Flush (1.6 gpf / 0.8 gpf)

Installation Information

Install this product according to the installation instructions.
Includes all hardware for installation.

Limited Lifetime Warranty

See website for detailed warranty information.

6140 Ulmerton Road Clearwater, FL 33760

Phone: (727) 388-9895

Fax: (727) 362-1281

For the most current Specification Sheet, go to www.pelicansinks.com

