



**PL-12044**  
*Vortex Series*  
Toilet

**Features**

- Sleek One-Piece Design
- High-Efficiency Dual Flush
- Soft-Close Seat
- Easy Clean Sides

**Material**

- Vitreous China



**Available Color/Finishes**  
Intended for reference only

<b>Color</b>	<b>Description</b>
<input type="checkbox"/>	White
<input type="checkbox"/>	Matte Black

---

6140 Ulmerton Road Clearwater, FL 33760

Phone: (727) 388-9895

Fax: (727) 362-1281

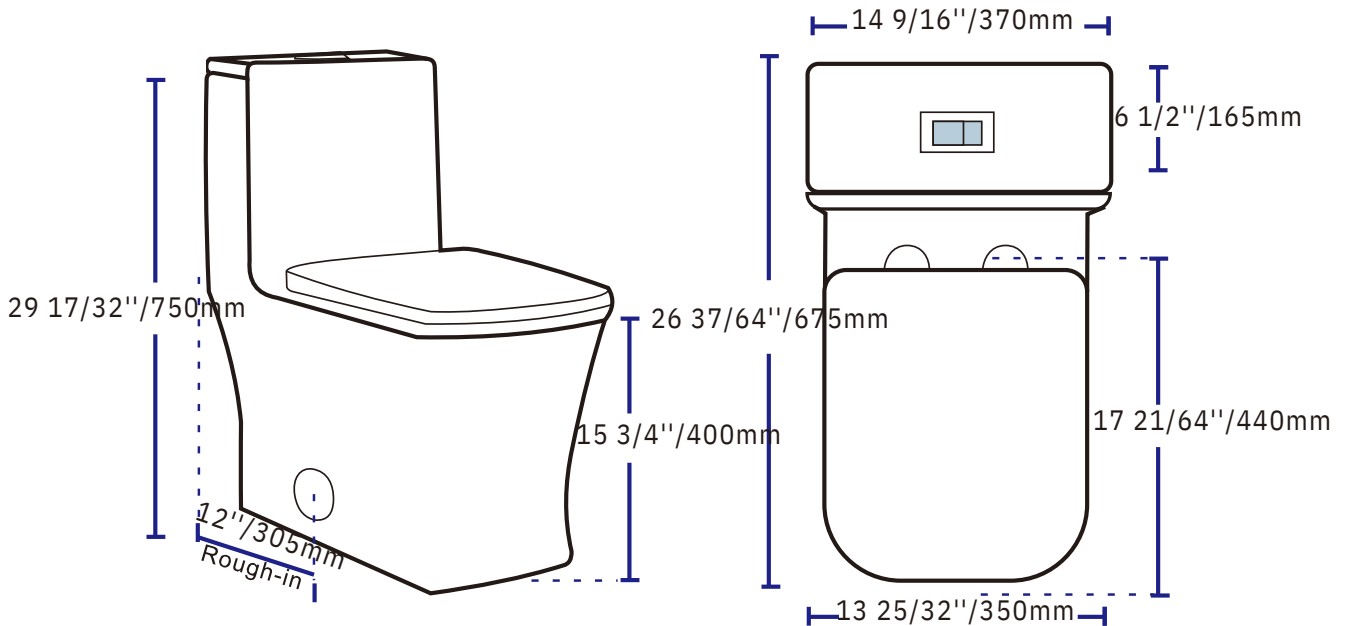
*For the most current Specification Sheet, go to [www.pelicansinks.com](http://www.pelicansinks.com)*





# PL-12044

Vortex Series  
Toilet



### Technical Information

All product dimensions are nominal

Size: 26 37/64" x 14 9/16" x 29 17/32"

Seat Height: 15 3/4"

Trapway: 2" Fully Glazed

Rough-In: 12"

Flush Type: High-Efficiency Dual Flush (1.6 gpf / 0.8 gpf)

### Installation Information

Install this product according to the installation instructions.  
*Includes all hardware for installation.*

### Limited Lifetime Warranty

See website for detailed warranty information.

6140 Ulmerton Road Clearwater, FL 33760

Phone: (727) 388-9895

Fax: (727) 362-1281

For the most current Specification Sheet, go to [www.pelicansinks.com](http://www.pelicansinks.com)

