



## **PL-12044** *Vortex Series* Toilet

### **Features**

- Multi Jet Siphonic Flush Technology
- High-Efficiency Dual Flush (1.6 gpf / 0.8 gpf)
- MaP Premium Rated
- Sleek One-Piece Design
- Soft-Close Seat Included
- Easy Clean Sides
- Large Side Holes for Easy Installation



### **Material**

- Vitreous China

### **Available Color/Finishes** Intended for reference only

<b>Color</b>	<b>Description</b>
<input type="checkbox"/>	White
<input type="checkbox"/>	Matte Black

---

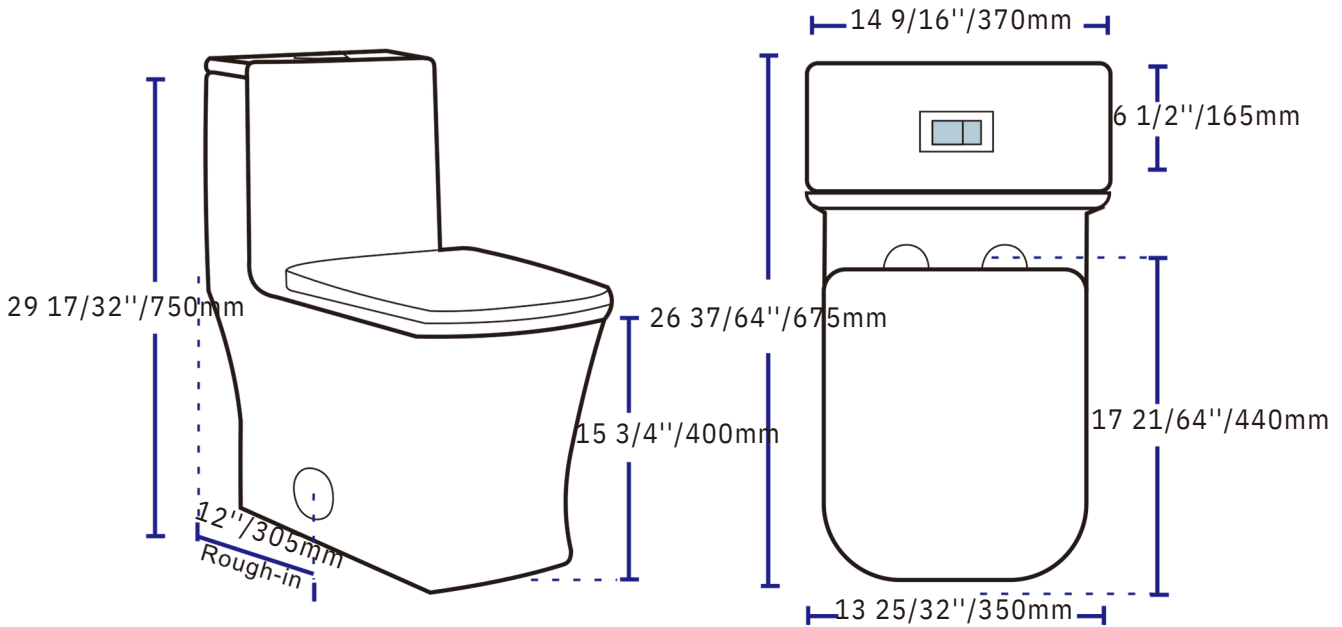
6140 Ulmerton Road Clearwater, FL 33760  
Phone: (727) 388-9895  
Fax: (727) 362-1281

*For the most current Specification Sheet, go to [www.buildpelican.com](http://www.buildpelican.com)*





**PL-12044**  
Vortex Series  
Toilet



**Technical Information**

All product dimensions are nominal

Size: 26 37/64" x 14 9/16" x 29 17/32"

Seat Height: 15 3/4"

Trapway: 2" Fully Glazed

Rough-In: 12"

Flush Type: High-Efficiency Dual Flush (1.6 gpf / 0.8 gpf)

Flush Technology: Multi Jet Siphonic Flush

Maximum Flush Performance (MaP): 1000g

**Installation Information**

Install this product according to the installation instructions.

***Includes all hardware for installation.***

**Warranty**

See website for detailed warranty information.

**JOB INFORMATION**

JOB NAME: \_\_\_\_\_ MODEL SPECIFIED: \_\_\_\_\_ QUANTITY: \_\_\_\_\_  
DATE: \_\_\_\_\_ ARCHITECT/ENGINEER: \_\_\_\_\_  
CUSTOMER: \_\_\_\_\_ CONTRACTOR: \_\_\_\_\_

6140 Ulmerton Road Clearwater, FL 33760  
Phone: (727) 388-9895  
Fax: (727) 362-1281

For the most current Specification Sheet, go to [www.buildpelican.com](http://www.buildpelican.com)

