



PL-12050 Vortex Series Toilet

Features

- Vortex Siphonic Rimless Flush Technology
- High-Efficiency Dual Flush (1.6 gpf / 0.8 gpf)
- MaP Premium Rated
- ADA Compliant
- Sleek One-Piece Design
- Soft-Close Seat Included
- Easy Clean Sides
- Large Side Holes for Easy Installation

Material

- Vitreous China

Codes/Standards

- ADA Compliant



Available Color/Finishes

Intended for reference only

Color	Description
<input type="checkbox"/>	White

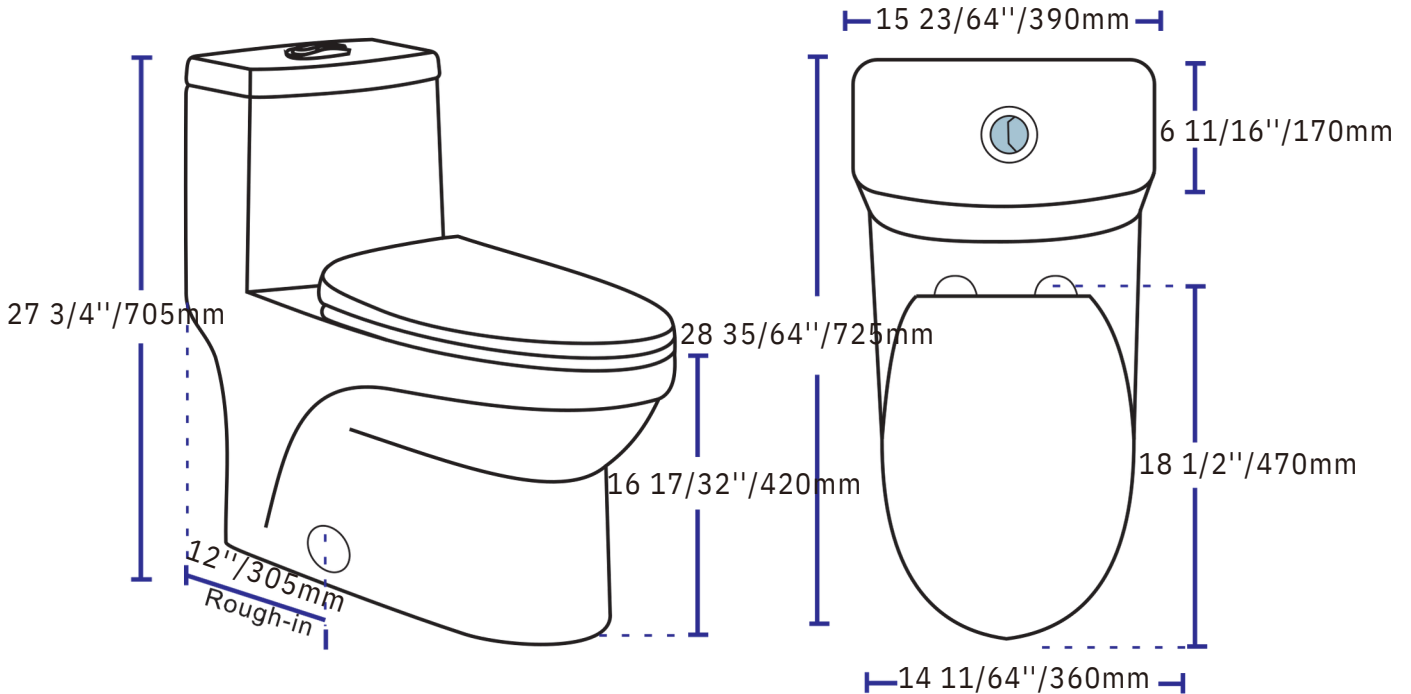
6140 Ulmerton Road Clearwater, FL 33760
Phone: (727) 388-9895
Fax: (727) 362-1281

For the most current Specification Sheet, go to www.buildpelican.com





PL-12050
Vortex Series
 Toilet



Technical Information

All product dimensions are nominal
 Size: 28 35/64" x 15 23/64" x 27 3/4"
 Seat Height: 16 17/32"
 Trapway: 2" Fully Glazed
 Rough-In: 12"
 Flush Type: High-Efficiency Dual Flush (1.6 gpf / 0.8 gpf)
 Flush Technology: Vortex Siphonic Rimless Flush
 Maximum Flush Performance (MaP): 1000g

Installation Information

Install this product according to the installation instructions.
Includes all hardware for installation.

Warranty

See website for detailed warranty information.

JOB INFORMATION

JOB NAME: _____ MODEL SPECIFIED: _____ QUANTITY: _____
 DATE: _____ ARCHITECT/ENGINEER: _____
 CUSTOMER: _____ CONTRACTOR: _____

6140 Ulmerton Road Clearwater, FL 33760
 Phone: (727) 388-9895
 Fax: (727) 362-1281

For the most current Specification Sheet, go to www.buildpelican.com

