



PL-12210
Vortex Series
Toilet

Features

- Multi Jet Siphonic Flush Technology
- High-Efficiency Dual Flush (1.6 gpf / 0.8 gpf)
- MaP Premium Rated
- Sleek One-Piece Design
- Soft-Close Seat Included

Material

- Vitreous China



Available Color/Finishes
Intended for reference only

Color	Description
<input type="checkbox"/>	White

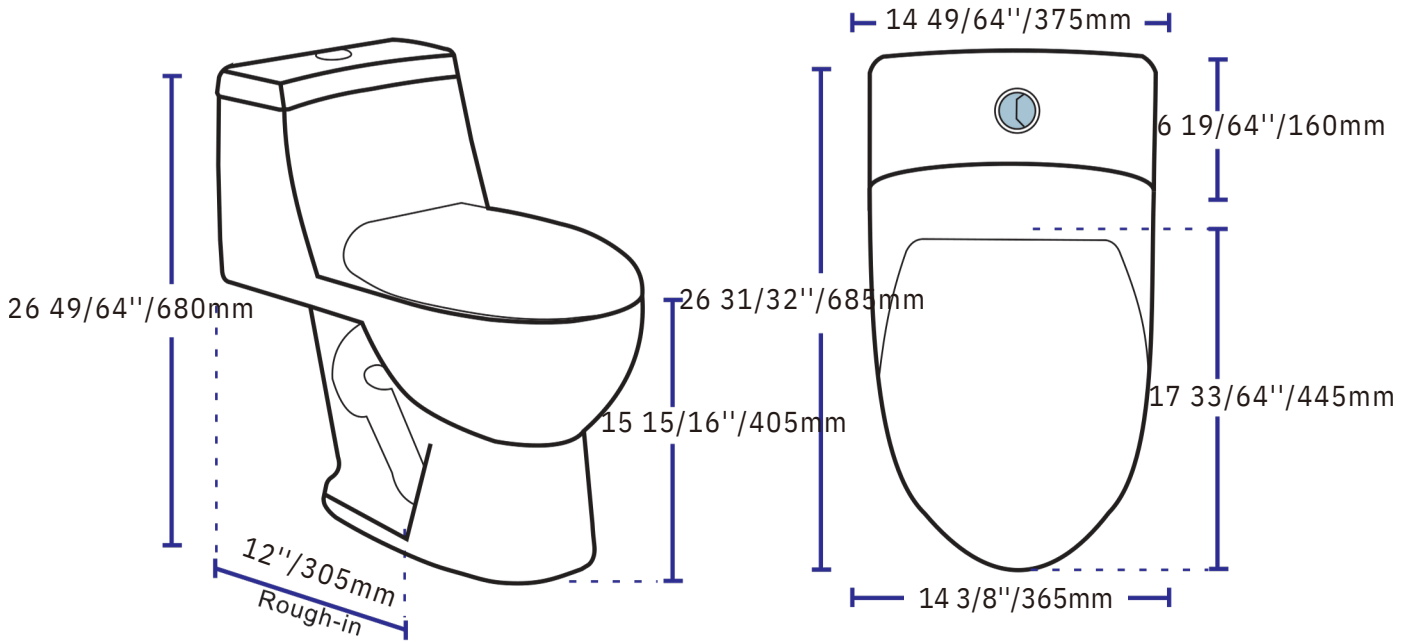
6140 Ulmerton Road Clearwater, FL 33760
Phone: (727) 388-9895
Fax: (727) 362-1281

For the most current Specification Sheet, go to www.buildpelican.com





PL-12210
Vortex Series
 Toilet



Technical Information

All product dimensions are nominal
 Size: 26 31/32" x 14 49/64" x 26 49/64"
 Seat Height: 15 15/16"
 Trapway: 2" Fully Glazed
 Rough-In: 12"
 Flush Type: High-Efficiency Dual Flush (1.6 gpf / 0.8 gpf)
 Flush Technology: Multi Jet Siphonic Flush
 Maximum Flush Performance (MaP): 1000g

Installation Information

Install this product according to the installation instructions.
Includes all hardware for installation.

Warranty

See website for detailed warranty information.

JOB INFORMATION

JOB NAME: _____ MODEL SPECIFIED: _____ QUANTITY: _____
 DATE: _____ ARCHITECT/ENGINEER: _____
 CUSTOMER: _____ CONTRACTOR: _____

6140 Ulmerton Road Clearwater, FL 33760
 Phone: (727) 388-9895
 Fax: (727) 362-1281

For the most current Specification Sheet, go to www.buildpelican.com

